

1989 FORD THUNDERBIRD



THE NEW SPIRIT OF THUNDERBIRD...

Cars change. As technology brings ideas to reality, automobiles respond with engineering and styling that reflect each new advance. The best cars, historically, have been those most in tune with a buyer's desire for something better.

Thunderbird is an example of the dynamic nature of successful automobiles. As changing attitudes and changing needs provided the challenges, improving technology provided the answers. Thunderbird's constant refinement produced,

year by year, a more contemporary personal automobile. And yet, throughout its 33-year history, the unmistakable Thunderbird aura has been ever present.

Now, Thunderbird redefines itself for 1989, taking the art of design and the science of performance a step further and infusing a long-respected name with a new charge of energy and spirit.

In a very real way, the evolution of Thunderbird parallels the evolution of Ford itself, the company that's winning the world over with technology and innovative design.



Foldout: Thunderbird LX with optional Preferred Equipment Package 162A shown in Crystal Blue Clearcoat Metallic.



...THE NEW SPIRIT OF FORD.

Every so often, a car comes along which stands apart, with its own set of rules and a new sense of purpose against which its competitors must be judged.

The new Super Coupe best characterizes the spirit of all three 1989 Thunderbirds. Its elegant lines and aggressive performance are pure excitement. With a look that commands attention and a supercharged V-6 that commands respect, Super Coupe stands poised to indulge the exhilaration of serious driving.

When accomplishment exceeds expectation, an automobile wins the admiration of the most sophisticated drivers. This Thunderbird, perhaps more than any before it, could compel you to re-evaluate what you expect from the car you drive.

**BEST-BUILT AMERICAN
CARS EIGHT YEARS
RUNNING**

For the past eight years, Ford quality has led all other American automotive companies. That's based on an average of owner-reported problems in a series of surveys of '81-'88 models designed and built in North America.

*Thunderbird Super Coupe in
Light Titanium Clearcoat
Metallic with optional
Special Value Package.*



ENVIRONMENT AND FUNCTION

The term "ergonomics" has been used more and more over the past few years with regard to automotive design. It refers to the science of planning a vehicle's interior to best suit those who will be occupying it. Roominess, placement of controls, visibility — all are functions of ergonomics.

The 1989 Thunderbird has been ergonomically designed to put the emphasis on providing optimum driver and passenger room and comfort. Head room, shoulder room, hip room, leg room — all have been increased to create an interior compartment that's remarkably spacious. And there are convenient areas for storage thoughtfully placed in the doors and in the console.

AUTOMATIC SHOULDER BELT RESTRAINT SYSTEM

An automatic front shoulder belt restraint system is standard in all Thunderbirds. It automatically secures the front shoulder belts for the driver and passenger.

The motorized shoulder belt moves back and forth on a track located above the

door. When a front door is opened, the belt is positioned forward at the front pillar and out of your way for entry. Once you're seated, have closed the door and turned on the ignition, the belt moves back along the track and across your chest and shoulder. Shoulder belt tension is automatically adjusted and allows freedom of movement. All you have to do manually is fasten your lap safety belt.

To release the system to exit, simply open the door and unfasten the lap belt. Also, there are emergency release buckles located on the motorized ends of the shoulder belts. Audible and visual signals alert you when one or both belts have been disconnected from the emergency buckles.

Thunderbird's automatic shoulder belt restraint system was thoroughly tested for your safety and convenience. But it's not intended to function alone. Use the system only in conjunction with the manual lap safety belt. For the rear seats, manual shoulder and lap belts are provided for outboard passengers and a lap belt is provided for the center position.



Convenient power windows are standard on all Thunderbirds. Controls are located in the door panel armrests for easy identification and comfortable operation. See page 27 for availability of dual electric remote mirrors and power door locks shown also.



A Vehicle Maintenance Monitor (optional with Thunderbird, standard with LX and Super Coupe) reports low fluid levels for oil, fuel, engine coolant and windshield washer. It even alerts you when your oil needs changing. Also shown are optional power antenna and premium electronic cassette radio with premium sound system.



With Thunderbird LX and Super Coupe, a handy instrument panel storage bin includes a sliding cover to keep valuable items out of sight.



The LX trip computer (part of the electronic instrument cluster) reports average trip fuel economy, instantaneous fuel economy, trip distance, fuel remaining, and distance to empty.

Shown at right and on pages 10-11: Thunderbird LX interior with optional Preferred Equipment Package 162A. Shown in Titanium.







THUNDERBIRD LX

Any description of Thunderbird LX would have to include a reference to luxury. Above all, LX is outfitted for extraordinary passenger comfort and convenience.

The interior is the focus for LX premium appointments. The seats are trimmed in special cloth and the door trim panels are richly upholstered. The power driver's seat adjusts six ways. Both

sun visors have a lighted mirror. Electronic instrumentation includes speedometer, tachometer and trip computer (detailed on page 8), and an instrument panel storage bin (located above the glove compartment) features a sliding lid to help keep valuables out of sight. The electronic AM/FM stereo radio includes a cassette tape player.

LX convenience equipment includes front seat

reading lights, an engine compartment light, and front and rear courtesy lights. The illuminated entry system lights the interior when the door handle is lifted for extra security after dark. A vehicle maintenance monitor keeps track of fluid levels for oil, fuel, coolant and windshield washer and even indicates when the engine oil needs to be changed. The right and left outside rearview mirrors are power remote controlled.

Speed control and a tilt steering wheel, two very popular driver convenience items, are standard with LX. And the rack-and-pinion steering is "speed sensitive." A computer adjusts the amount of power assist to the exact requirements of the driving situation for smooth, low-effort steering in tight, low-speed maneuvers and a progressively firmer feel as speed increases.

Owning a Thunderbird LX

can be even more rewarding with Preferred Equipment Package 162A. It's a group of popular options with a substantial savings included in the price of the group. Front passenger power seat, premium cassette radio with premium sound, power antenna and the keyless entry system are some of the items included in this desirable package. See page 27 for details on optional Preferred Equipment Packages.

Thunderbird LX with optional Preferred Equipment Package 162A shown in Deep Titanium Clearcoat Metallic.



THUNDERBIRD

Thunderbird's new profile is eye catching, to be sure. But it's also functional, using sleek lines to achieve the benefits of aerodynamics so important in today's automobiles — lower wind resistance and improved handling. For this is a thoroughly contemporary Thunderbird, one that brings advanced technology to a long-respected nameplate and writes the latest chapter

in Ford design leadership.

Thunderbird's 3.8 liter V-6 engine features the precision and efficiency of a sequential electronic fuel injection system. Efficiency is also enhanced by the engine's roller tappets, whose low-friction operation contributes to fuel economy.* And lightweight, high-strength aluminum and magnesium components help give the vehicle a better power-to-weight ratio than typical materials.

The Automatic Overdrive transmission, with its improved highway fuel economy, is standard, along with the precision and ease of rack-and-pinion power steering. The suspension system, responsible in large part for Thunderbird driving pleasure, is discussed on the following pages.

Inside, five adults enjoy a measure of roominess that just may surprise them. The front bucket seats have indi-

vidual recliners and the automatic shoulder belt restraint system (see page 8) helps make safety convenient.

Thunderbird comes equipped with standard features that add to the enjoyment of driving. Air conditioning is complemented by tinted glass all around. An electronic AM/FM stereo radio provides entertainment. Interval wipers and power windows make Thunderbird all the more pleasurable.

And for outstanding Thunderbird value, Preferred Equipment Package 151A contains a group of popular options at an attractive price. Dual electric remote-control mirrors, electronic AM/FM stereo radio with cassette, speed control, tilt steering wheel, power driver's seat and power door locks are just some of the items. See page 27 for details on Preferred Equipment Packages.

*See Gas Mileage, page 29.

Thunderbird with optional Preferred Equipment Package 151A shown in Currant Red Clearcoat Metallic.

SUSPENSION AND BRAKING

Over the years, Thunderbird has come to be known as a "driver's car," regardless of model or series. That's because it's been engineered with the kind of suspension system that appeals to those who take driving a little more seriously. The 1989 Thunderbird is no exception with its rear-wheel drive configuration and performance-oriented componentry.

The all-new suspension system combines a long-spindle, short/long arm (SLA) front suspension with a fully independent SLA in the rear (see below) for taut handling. Front and rear stabilizer bars provide added control. The rear suspension control arms are "double isolated." This isolation from both the subframe mounts and the lower control arm bushings helps reduce harshness. The front suspension strut is also double isolated for low harshness.

Thunderbird's shock absorbers contain a low-pres-

sure charge of inert nitrogen gas. The gas suppresses foaming of the hydraulic fluid due to rapid bumps or similar agitation. This, with the help of variable-rate coil springs, means the ride is smooth under normal circumstances, yet firm enough for handling situations.

TECHNOLOGY AND BRAKING

Recent advances in automotive technology have meant

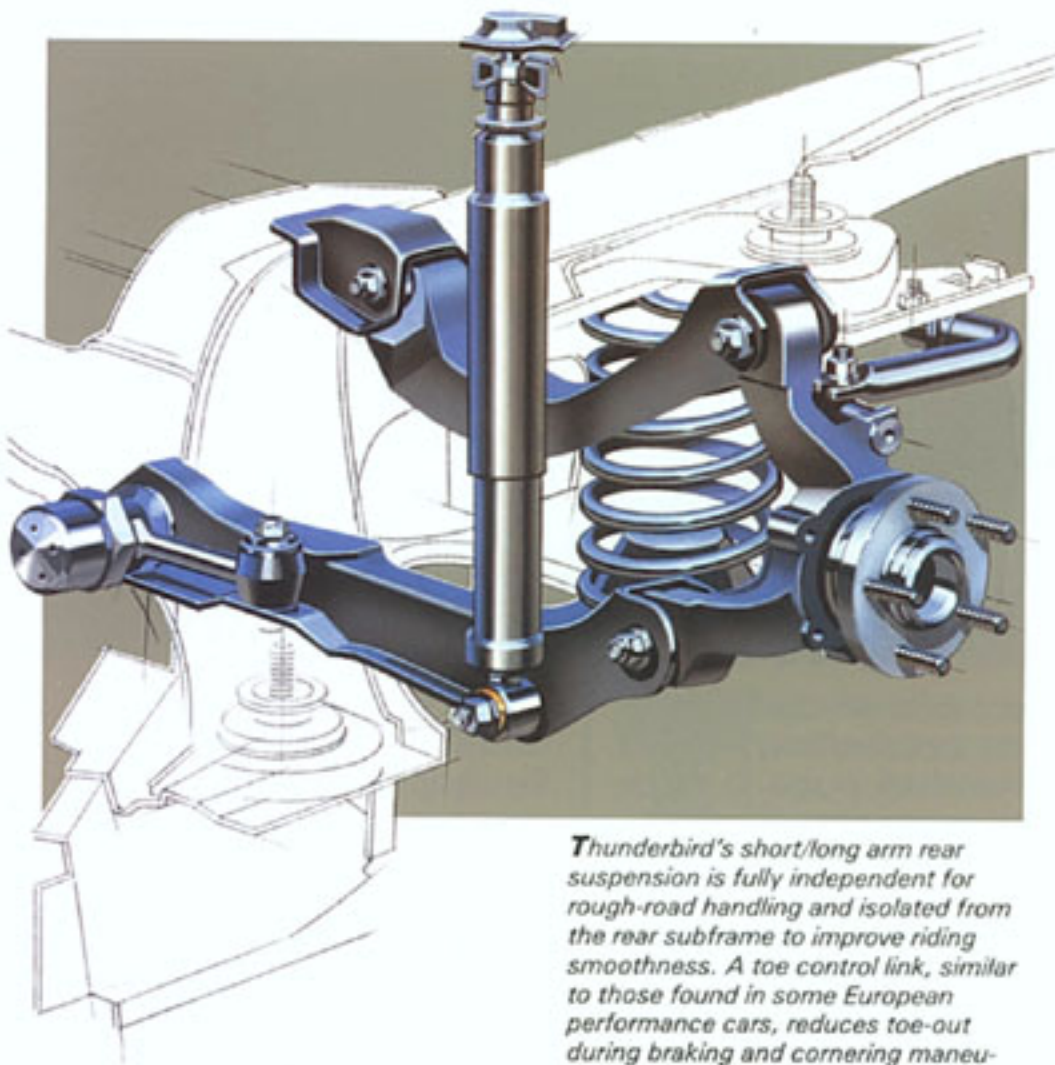
new and effective ways to deal with out-of-the-ordinary driving situations. One of these beneficial developments is anti-lock brakes, which are standard equipment in Thunderbird Super Coupe and optional with the other Thunderbirds.

Hard braking can cause wheel lock-up which reduces driver control, especially on slippery surfaces. The computer technology built into

the anti-lock brake system virtually eliminates brake-induced wheel lock-up.

Electromagnetic sensors monitor the speed of each wheel during braking and transmit the data to a microprocessor. If impending wheel lock-up is detected, the brake pressure from the hydraulic unit to the wheels is modulated up to ten times per second. The brakes are applied and released repeatedly in the same way you were taught to "pump your brakes" when you felt a loss of traction. But the anti-lock brake system operates at a rate of speed far exceeding human capability, providing the driver a much greater degree of steering control during hard braking.

The system includes power-assisted 4-wheel disc brakes, 10.8" in diameter up front, 10.0" in diameter in the rear, these brakes have a total swept area of 357.4 square inches for quick stopping action and reduced fade under severe braking.



Thunderbird's short/long arm rear suspension is fully independent for rough-road handling and isolated from the rear subframe to improve riding smoothness. A toe control link, similar to those found in some European performance cars, reduces toe-out during braking and cornering maneuvers. Another benefit of the rear suspension design is the allowance it makes for Thunderbird's large trunk area.





THUNDERBIRD SUPER COUPE

There's no disputing the obvious signals that say Thunderbird Super Coupe is all business, and the business is performance. At its heart is a power-boosting supercharger with intercooler that transforms the sequential EFI 3.8 liter V-6 engine into a powerplant capable of over 200 hp and 300 lbs.-ft. of torque (see page 20). The unique sound from under the hood

means there is something very special indeed about this Thunderbird.

Super Coupe's computer-controlled anti-lock system is combined with 4-wheel disc brakes. Its suspension electronically adjusts to changing vehicle and road conditions. The steering system is "speed sensitive" to deliver the proper feel for the driving situation at hand.

Wide 16" aluminum wheels come with Goodyear Eagle

performance tires with an aggressive tread. The Traction-Lok axle automatically shifts some of the driving force, or torque, to the wheel with the most traction under adverse driving conditions like ice, snow or mud. Special articulated sport seats can be adjusted to their occupants and the instrumentation befits the high-performance machinery it monitors. Super Coupe performance is discussed in more detail on the

pages that follow.

Owning this car is made even more attractive by the Super Coupe Special Value Package. When you choose Preferred Equipment Package 157A, you receive the rear window defroster, power lock group, electronic AM/FM stereo cassette, speed control, tilt steering wheel and power driver's seat at no extra cost. See page 27 for details on equipment and Preferred Equipment Packages.

Thunderbird Super Coupe with the optional Super Coupe Special Value Package shown in Light Titanium.

SUPERCHARGING

Traditionally, superchargers have been found only on the world's most specialized performance cars. Simply put, supercharging is a means to increase the output of an engine (its horsepower) by raising the pressure of the intake charge above atmospheric.

The effect of supercharging is easy to describe. Figuratively speaking, it adds cylinders. The exhilarating rush of power upon acceleration makes it very difficult to believe you don't have more of them. In the case of Super Coupe, the performance is what you would expect to experience with a big V-8. And yet, when cruising at a constant rate of speed, the supercharger bypasses and gives you the benefit of 6-cylinder fuel economy.* Here's how supercharging works.

The greater the mass of the fuel/air mixture supplied to the cylinders, the more power-

ful the combustion stroke. A supercharger is a positive displacement pump that delivers this increased mass. Unlike a turbocharger, it works across a very broad range of engine rpm. The result is quick response even at start-up speeds without the "lag" associated with turbocharging.

Some systems, like the one in Thunderbird Super Coupe, carry this principle even further with a device called an intercooler. Located between

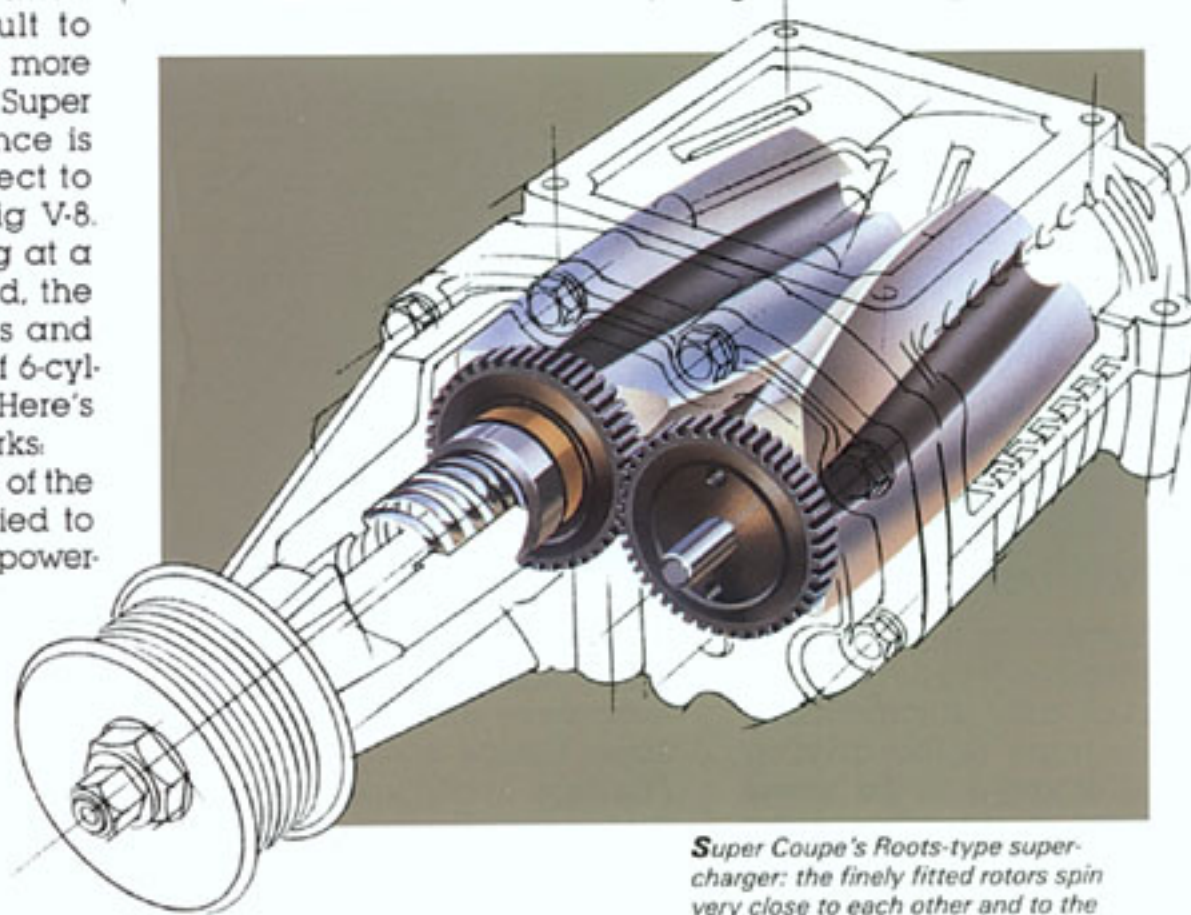
the supercharger and the combustion chamber, the intercooler lowers the temperature of the air passing through it, increasing its density — and thus increasing engine horsepower even more.

Superchargers (unlike exhaust-driven turbochargers) are mechanically driven by the engine's crankshaft to deliver nearly instantaneous response, the kind associated with larger displacement engines. The supercharger

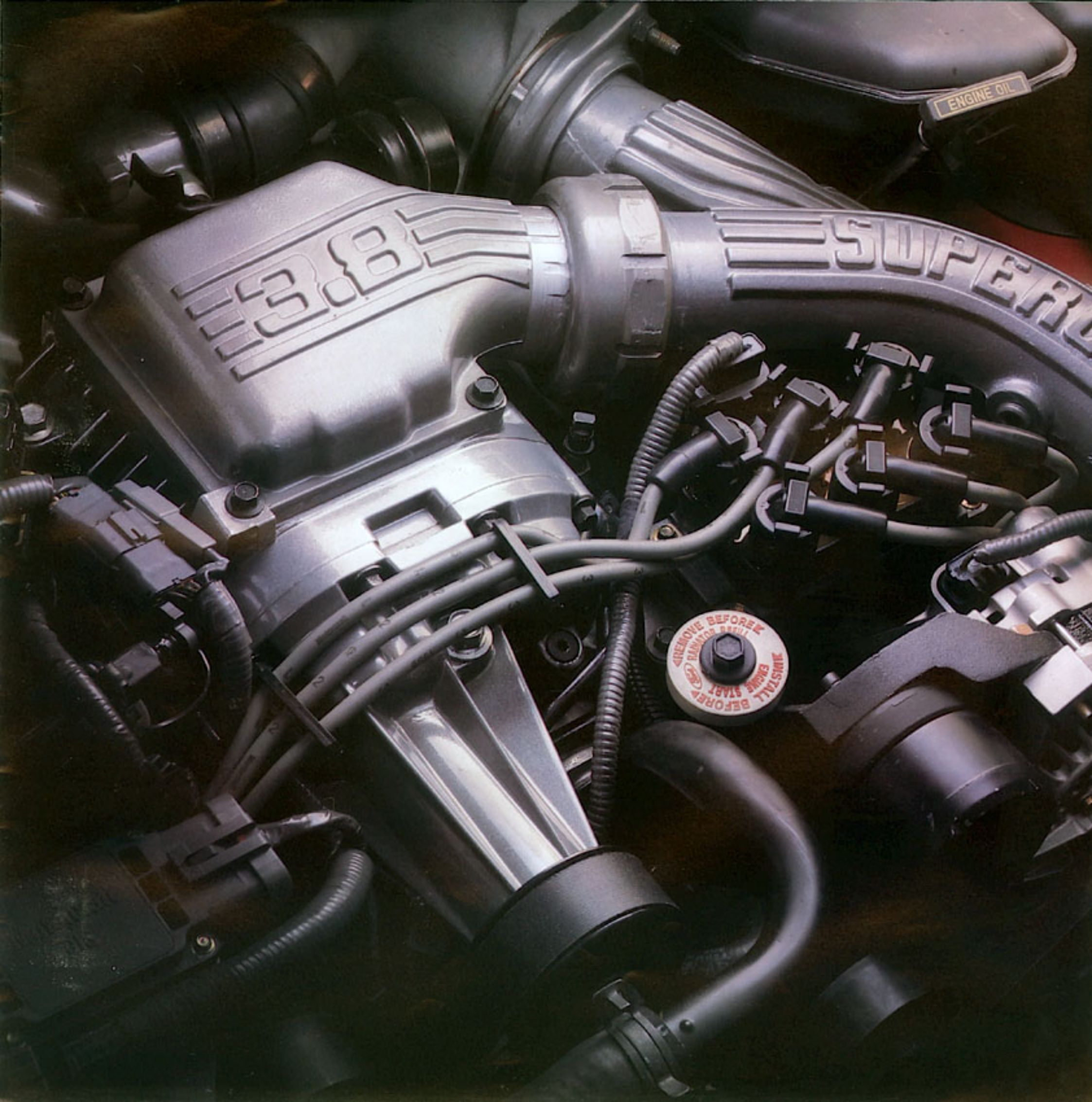
used in Thunderbird is the Roots-type positive displacement. It delivers boost at lower compressor rpm and over a much broader engine-rpm range than some other types (those which rely on centrifugal force for compression, for example). And the special contoured rotor shafts mean smooth operation. It's a system well-suited to the kind of driving most people do — a combination of urban, suburban and highway travel.

In order to maximize the effectiveness of its supercharger, the 3.8L V-6 engine contains special modifications. Hypereutectic aluminum alloy pistons feature a high silicon content for added strength. The intake manifold is configured for the pressurized fuel/air mixture it receives. And high-performance, platinum-tipped spark plugs are designed to last 60,000 miles before replacement, minimizing maintenance service.

*See Gas Mileage, page 29.



Super Coupe's Roots-type supercharger: the finely fitted rotors spin very close to each other and to the inside of the housing, pulling air inside and forcing it into the induction system. Because the compression method is mechanical, a more consistent pressure is created over a greater rpm range with better boost at the low end than with centrifugal systems.



INSTRUMENTATION AND CONTROLS

With an automobile as performance-oriented as Thunderbird Super Coupe, it shouldn't come as a surprise that most of the instruments are related to the engine (the supercharger boost gauge, for example), and that this instrumentation is comprised of real gauges, not lights. The Super Coupe instrument panel and surrounding controls were designed with the emphasis on the driving function. Gauges and dials are placed to be quickly and easily read, and knobs and push buttons are placed to be comfortably reached. It's all part of the ergonomic integrity of Thunderbird.

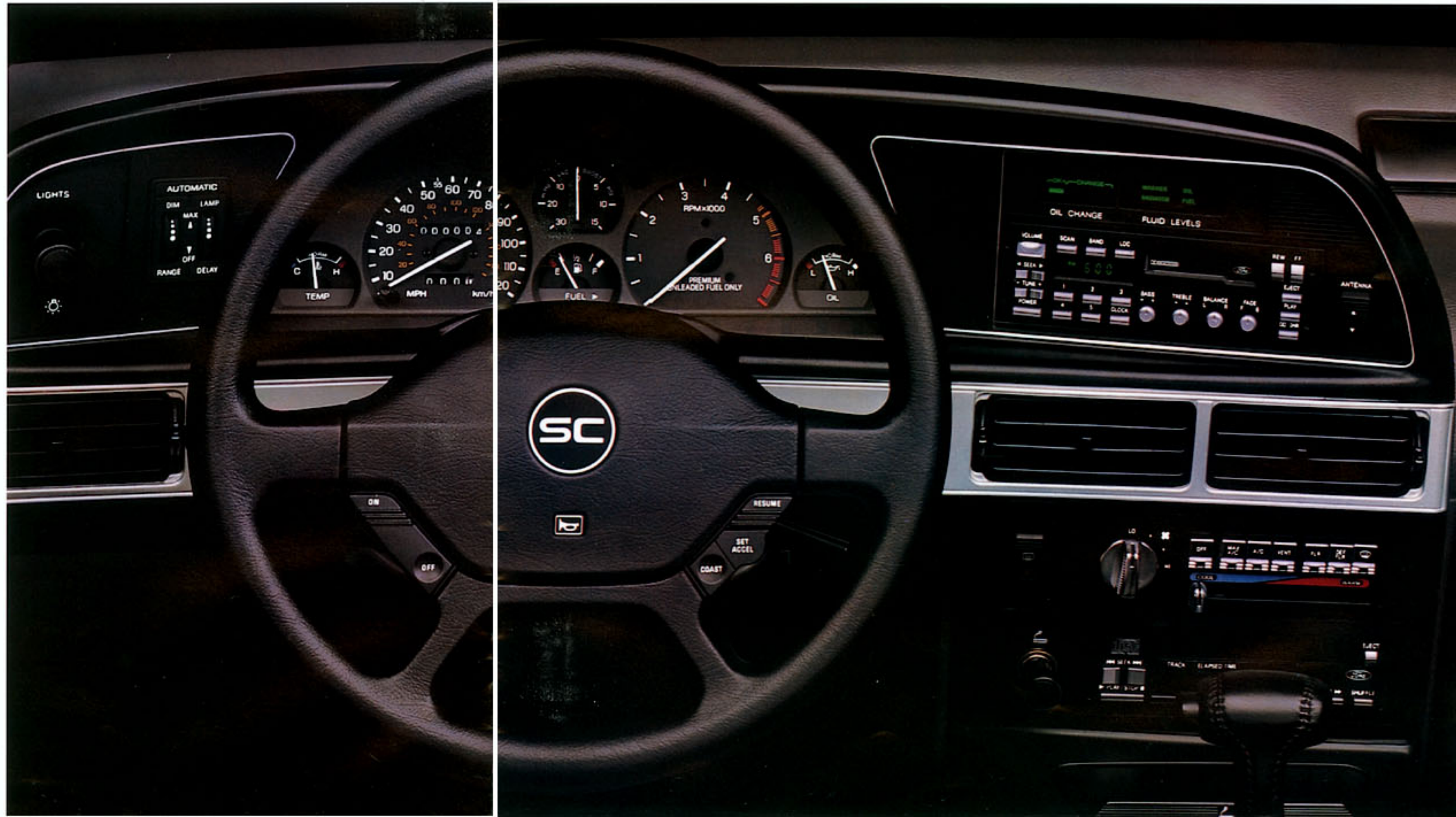
But functional doesn't necessarily mean plain or spartan. Instrumentation was designed for a bold, aggressive appearance in keeping with the look, capability and feel of the car itself.

Super Coupe's performance analog speedometer

features white-on-black graphics and trip odometer. There's a tachometer, of course, and between the two are the supercharger boost gauge and fuel gauge. Temperature and oil pressure gauges are positioned at either end of the cluster. The air conditioning controls are arranged for convenient operation and feature clear graphics for easy reading.

The 5-speed manual transmission leather-covered shift knob is designed to be comfortable to grip and shift, and the switch for the automatic ride control suspension (see page 24) lets the driver override the computer and initiate the "firm" mode when maximum handling is desired.

Included in the optional Super Coupe Special Value Package 157A is the electronic AM/FM stereo radio with cassette tape player which is located up high on the instrument panel for ease in changing radio stations or cassette tapes.



Thunderbird Super Coupe instrumentation in Titanium. Some equipment shown is optional.

DRIVER INTERACTION



A high-performance driver knows that in addition to what is seen, important information about the road and the car is being fed back through the seat, the steering wheel and the foot pedals. In Super Coupe, some of this "input" is sensed by technologically advanced suspension, steering and braking systems that help the driver, car and road interact.

The computer-controlled "speed-sensitive" power steering system adjusts the power to the situation by responding to sensors which provide data on speed and steering angle. This results in smooth, low-effort steering in tight, low-speed maneuvers and a progressively firmer feel as speed increases.

AN INTELLIGENT SUSPENSION

Super Coupe's suspension system incorporates a micro-processor that monitors signals from speed, brake pressure, steering and acceleration sensors and adjusts shock absorber damping automatically to provide the optimum ride/handling to match the situation. Shock damping is "normal" for a smooth ride or "firm" when extra handling is required ("firm" mode may also be selected manually by means of a switch located on the center console). These sophisticated features, combined with the anti-lock braking system detailed on page 16, contribute to Super Coupe's extraordinary driving capability and exhilarating performance.

Super Coupe's articulated sport seats provide firm support and are body-contoured to help hold you in place when cornering. They encourage the proper posture for driving comfort and command and include individual recliners for the driver and front passenger.

The headrests adjust 4 ways: up/down and tilt forward/back.

To help keep the driver and front passenger firmly in place, the front seat backs have back bolsters which include an infinite power adjustment for individual comfort.

The power lumbar support also adjusts to an infinite number of positions to fit the seat to the occupant as precisely as possible.



Right: Thunderbird Super Coupe interior shown with optional Automatic Overdrive transmission and leather seating surfaces (includes split fold down rear seat) in Titanium.



THUNDERBIRD SOUND SYSTEMS

Thunderbird stereo systems deliver outstanding fidelity to enhance your driving experience.

ELECTRONIC RADIOS

The Ford Electronic AM/FM Stereo Search Radio with clock is standard in Thunderbird and Thunderbird Super Coupe. It delivers 20 watts of power and has full electronic tuning, including the "seek" feature with which the tuner automatically selects and holds the next listenable station up or down the frequency band.

Eighteen preset station memory settings (6 AM/12 FM) provide personal programming with instant recall. Other features include separate bass and treble controls, front/rear fade control, left/right balance control, and stereo/mono blend.

The optional Electronic AM/FM Stereo Search Radio with Cassette Tape Player and clock, standard with LX and included with Thunderbird Preferred Equipment Package 151A and Super Coupe 157A, includes all the features above with the addition of an auto-reverse cassette player with Dolby® B noise reduction and locking fast forward and rewind.

PREMIUM SOUND

The optional Electronic Premium Cassette Radio with Premium Sound is included



Electronic AM/FM stereo search radio, standard with Thunderbird and Thunderbird Super Coupe.



Electronic AM/FM stereo search radio with cassette tape player (standard with LX and included in optional Preferred Equipment Packages 151A and 157A).



Electronic premium cassette radio with premium sound (included in the optional LX Preferred Equipment Package 162A), compact disc player and Ford JBL Audio System (optional with all series in conjunction with premium cassette radio). Bright controls for the electronic premium cassette radio may be delayed. See your dealer.

in the LX Preferred Equipment Package 162A. This sophisticated system features electronic volume control, pop-out controls for bass, treble, balance and fade (flush when not in use), digital clock, motorized cassette tape eject, FM muting, seek/scan tuning for both radio and cassette tape, auto-reverse cassette player, AM stereo reception (C-Quam® encoded), Dolby® noise reduction for tape and DNR™ for radio, automatic metal/CrO₂ tape equalization, 80 watts RMS continuous power, four premium speakers and power amplifier/booster.

JBL/COMPACT DISC

The optional Ford JBL Audio System includes the Cassette Radio described above. The JBL setup features state-of-the-art sound reproduction from a multiple-speaker configuration that delivers 145 watts of total power in a bi-amplified system.

The optional Compact Disc Player (available with the Ford JBL Audio System) provides outstanding clarity and a wide dynamic range. It includes a locking door that prevents the accidental loading of a second disc, automatic and manual search modes, and a random play feature.

C-Quam® is a registered trademark of Motorola, Inc.
Dolby® is a registered trademark of Dolby Laboratories Licensing Corp.
DNR™ is a trademark of National Semiconductor Corp.

FEATURES AND OPTIONS

NOTABLE STANDARD EQUIPMENT

Standard Thunderbird

- Automatic Overdrive transmission
- Air conditioning
- Tinted glass
- Power steering
- Power brakes
- Power windows
- Side window defoggers
- Interval windshield wipers
- Front automatic shoulder belt restraint system
- Full-length console with floor-mounted shift
- Vinyl door trim with storage bins
- Cloth bucket seats with recliners
- Analog instrumentation
- Electronic AM/FM stereo search radio with digital clock (may be deleted for credit; see page 26)

- Left-hand remote-control mirror
- Wide bodyside protection moldings
- Deluxe wheel covers
- All-season radial tires
- 5-mph color-keyed bumpers

LX (over Standard)

- Luxury cloth bucket seats with recliners
- Six-way power driver's seat
- Luxury door trim and carpeting
- Electronic instrument cluster (1)
- Instrument panel upper storage compartment
- Illuminated entry system and convenience lights
- Speed control and tilt steering wheel
- Speed-sensitive power steering
- Leather-wrapped luxury steering wheel
- Illuminated visor mirrors

- Power lock group (2)
- Electronic AM/FM stereo search radio with cassette and digital clock (see page 26)
- Rear seat center armrest
- Vehicle maintenance monitor (see pages 8-9)
- Remote-release fuel door
- Dual electric remote-control mirrors
- Bright window moldings
- Styled road wheel covers

Super Coupe (over Standard)

- 5-speed manual transmission
- Articulated sport seats with power lumbar and power seat back bolster adjustments
- Sport soft-feel steering wheel
- Luxury door trim and carpeting
- Instrument panel upper storage compartment

- Performance instrumentation
- Vehicle maintenance monitor (see pages 8-9)
- Fog lamps
- Narrow bodyside moldings and lower bodyside cladding
- 16-inch cast aluminum wheels and P225/60VR16 performance tires
- Automatic ride control adjustable suspension
- Anti-lock braking system with 4-wheel disc brakes (see pages 16-17)
- Traction-Lok axle
- Speed-sensitive power steering
- Dual electric remote-control mirrors
- Heavy-duty battery
- Heavy-duty alternator

OPTIONS AND PREFERRED EQUIPMENT PACKAGES (In addition to standard equipment above)

X = Included in package and deletable as a group with loss of discount
O = Optional

Preferred Equipment Packages

	Preferred Equipment Packages		
	Standard 151A	LX 162A	Super Coupe 157A*
NOTE: Contents of Preferred Equipment Packages are subject to change.			
Dual electric remote-control mirrors	X		
Bright window moldings	X		
Styled road wheel covers	X		
Speed control and tilt steering wheel	X		X
Power lock group (2)	X		X
Electronic AM/FM stereo search radio with cassette tape player (see page 26)	X		X
Six-way power driver's seat	X		X
Rear window defroster	X	X	X
Luxury light/convenience group (3)	X	X	O
Six-way power front passenger seat	O	X	O
Keyless entry system	O	X	O
Electronic premium cassette radio with premium sound (see page 26)	O	X	O
Power radio antenna	O	X	O
Front floor mats	O	X	O
Aluminum wheels and P215/70R15 tires	O	X	
Leather seating surfaces (includes split fold down rear seat with Super Coupe)		O	O
Clearcoat paint	O	O	O
Ford JBL Audio System (see page 26)	O	O	O
Compact disc player (see page 26)	O	O	O
Anti-theft system	O	O	O
Power moonroof	O	O	O
All-season Eagle GT+4 performance tires			O
Wire-style locking wheel covers	O	O	
White sidewall tires	O	O	
Conventional spare tire	O	O	
Traction-Lok axle	O	O	
Automatic Overdrive transmission			O
Anti-lock braking system with 4-wheel disc brakes and Traction-Lok axle (see pages 16-17)	O	O	
Package delete option (4)	O	O	O

*Super Coupe Special Value Package. When you order your Thunderbird Super Coupe with Preferred Equipment Package 157A, the rear window defroster, power lock group, AM/FM stereo cassette, speed control, tilt wheel and power driver's seat are no extra charge. Special value for a special Thunderbird!

(1) Includes speedometer/odometer, tachometer and gauges for voltage, oil pressure and temperature. A speed alarm can be set to alert you if you exceed your desired speed by 5-mph. (2) Includes power door locks, remote-control electric decklid with release in glove box, remote-control fuel filler door with release in glove box (standard with LX and Super Coupe). (3) Includes cornering lamps; dual illuminated visor mirrors (standard with LX and Super Coupe); the illuminated entry system (standard with LX); the autolamp system with auto dim and automatic headlamps on/off delay; dual beam map light, instrument panel courtesy lights and engine compartment light (all standard with LX and Super Coupe); the automatic day/night mirror (standard on LX and Super Coupe); the vehicle maintenance monitor (see pages 8-9 for content, standard with LX and Super Coupe). (4) When delete option is selected, package items (denoted by "X") are deleted and the package discount no longer applies. Package items are available only with the complete package. Keyless entry system, 6-way power passenger seat, anti-theft system and leather seating surfaces are not available with delete option.

SPECIFICATIONS

COLORS AND TRIMS

Standard Thunderbird and Thunderbird LX

Engine type	3.8 liter V-6
Horsepower/compression ratio	140/9.0:1
Induction system	Sequential multiple-port electronic fuel injection
Fuel tank	19 gal.
Transmission	Automatic Overdrive
Front suspension	Long-spindle SLA, variable-rate coil springs, double-acting gas-pressurized shock absorbers, 1.1-inch dia. stabilizer bar
Rear suspension	Independent SLA, toe control link, variable rate springs, double-acting gas-pressurized shock absorbers, 1-inch dia. stabilizer bar
Steering	Standard: Power rack-and-pinion, ratio 14.1:1 on center LX: Speed-sensitive power, ratio 14.1:1 on center
Brakes	Power front disc/rear drum
Brakes (optional)	Anti-lock braking system, power four-wheel disc
Wheels	Stamped steel 15"x6.0"
Wheels (optional)	Cast aluminum 15"x6.5"
Tires	P205/70R15 BSW
Tires (optional)	P205/70R15 WSW; P215/70R15 BSW
Tire (spare)	Mini-spare (conventional is optional)

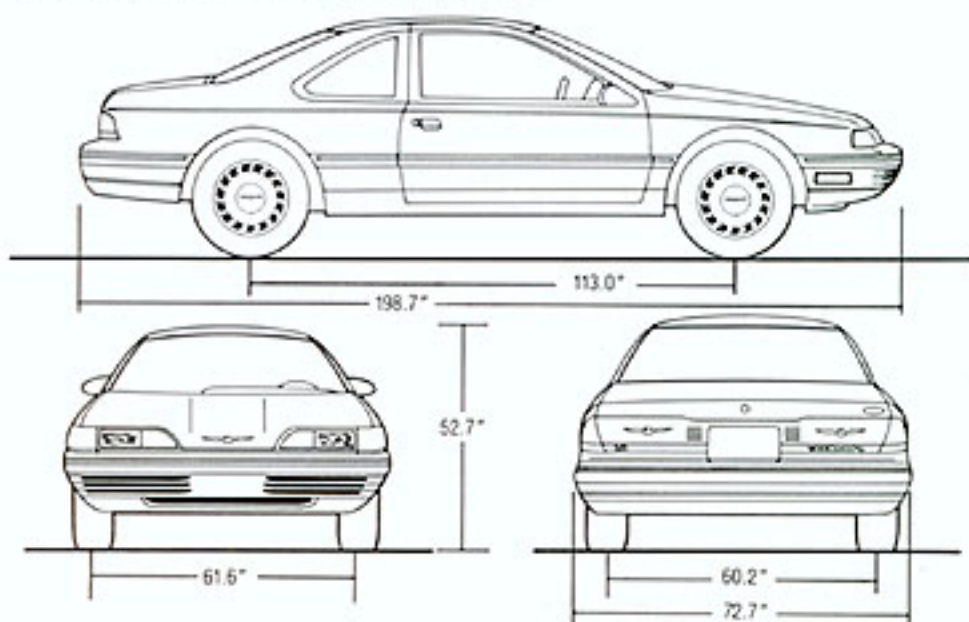
Thunderbird Super Coupe

Engine type	3.8 liter supercharged, intercooled V-6 with dual exhausts
Horsepower/compression ratio	210/8.2:1
Induction system	Sequential multiple-port electronic fuel injection
Fuel tank	19 gal.
Transmission	5-speed manual
Transmission (optional)	Automatic Overdrive
Front suspension (in addition to Standard)	Automatic ride control suspension, 1.2-inch dia. stabilizer bar
Rear suspension (in addition to Standard)	Automatic ride control suspension, 1.1-inch dia. stabilizer bar
Rear axle	Traction-Lok
Steering	Speed-sensitive power, ratio 14.1:1 on center
Brakes	Anti-lock braking system, power four-wheel disc
Wheels	Cast aluminum 16"x7.0"
Tires	Goodyear Eagle P225/60VR16 performance
Tires (optional)	All-season Goodyear Eagle GT-4 performance

Measurements

Wheelbase	113.0"
Length	198.7"
Height	52.7"
Width	72.7"
Front tread	61.6"
Rear tread	60.2"
Luggage capacity (cu. ft.)	14.7
Passenger capacity	5

Based on Motor Vehicle Manufacturers Association passenger car specifications.



Standard Thunderbird and Thunderbird LX

Interior Trim Colors

Shadow Blue Titanium Currant Red Light Sandalwood

Interior Trim Colors				Exterior Paint Colors
	X	X	X	Black
X	X	X		Light Titanium Clearcoat Metallic
	X	X		Deep Titanium Clearcoat Metallic
	X	X		Currant Red Clearcoat Metallic
	X			Bright Red
X			X	Almond
			X	Medium Sandalwood Clearcoat Metallic
X				Crystal Blue Clearcoat Metallic
X				Light Crystal Blue Clearcoat Metallic
X	X			Twilight Blue Clearcoat Metallic
X	X	X	X	Oxford White

Thunderbird Super Coupe

Interior Trim Colors

Titanium Currant Red Shadow Blue

Interior Trim Colors			Exterior Paint Colors
X	X		Black
X			Bright Red
X	X	X	Light Titanium Clearcoat Metallic
X		X	Twilight Blue Clearcoat Metallic
X	X	X	Oxford White

Some of the paint and trim colors are shown in this catalog. On the printed page, of course, colors are at best only representative of the originals. Your Ford Dealer can show you actual samples of the paint colors and trim materials presented above.



Above: For that great open air feeling, the power moonroof is optional with all Thunderbirds. **Below:** Locking wire-style wheel covers and P205/70R15 WSW tires (left) and cast aluminum wheels are optional with Thunderbird and Thunderbird LX.

SAFETY AND OWNER BENEFITS

Ford Motor Company strongly encourages all passengers to use their safety belts. Ford urges the use of child and infant restraints, as required in all states. Ford's easy-to-install Tot-Guard (for children 20 to 50 pounds) is available at all Ford Dealers. If a child restraint requires a top- tether, Ford cars provide for attachment of an anchor at each rear seating position. For Thunderbird, a clip-on child seat buckle is available at no charge for the right-hand front seat manual lap belt.



FORD LIFEGUARD DESIGN SAFETY FEATURES

Vehicle operation

- Split service hydraulic brake system with warning light
- Corrosion-resistant brake lines
- Flash-to-pass headlamps
- Turn indicator lever with lane-changing signal feature
- Hazard warning flasher
- Back-up lamps
- Side marker lamps
- Parking lamps coupled with headlamps
- High-mount stop lamp
- Interval windshield wipers
- Windshield washers
- Outside rearview mirror, driver's side
- Glare-reduced instrument panel, windshield wiper arms and windshield pillars
- Uniform transmission shift quadrant with safety starting switch (on all cars equipped with automatic transmission)
- Clutch or neutral interlock for starter motor (on cars with manual transmissions)
- Continuously variable control illumination intensity (instrument cluster lighting)
- Safety hood latch system
- Responsive windshield defroster system
- Tamper-resistant (non-reversing) odometer
- 55-mph highlighted speedometer
- Inertia shut-off switch for electric fuel pump

Occupant protection

- Safety-designed front end structure
- Safety-designed roof structure
- Steel guard rails in side doors
- Safety-designed door hinges and double-yoke safety door latches
- 2-point motorized shoulder belt

- system with manual lap belt for front outboard occupants
- Visual and audible seat belt fastening reminders for the driver's seat
- Lap belts for center rear seating position and lap/shoulder belts with automatic retractors for rear outboard occupants
- Energy-absorbing steering column and steering wheel
- Energy-absorbing armrests and safety-designed door handles
- Energy-absorbing instrument panel with padding
- Energy-absorbing sun visors
- Energy-absorbing front seat back tops
- Self-locking seat back latches
- Head restraints for front occupants
- Safety glove box latch
- Inside yieldaway rearview mirror
- Impact-absorbing laminated safety glass windshield
- Flame-resistant interior materials
- Safety-designed coat hooks
- Safety-designed radio control knobs and push buttons

TRANSFERABLE 6-YEAR/60,000-MILE POWERTRAIN WARRANTY

Covers you and future owners, with no transfer cost, for 6 years or 60,000 miles, whichever comes first. This limited warranty covers major powertrain components. Certain restrictions and deductible apply. Ask your dealer for a copy.

6-YEAR/100,000-MILE CORROSION PROTECTION

Thunderbird's corrosion warranty coverage for outer body panel rust-through is 6 years or 100,000 miles, whichever comes first. See your Ford Dealer for details and a copy of this limited warranty.

SCHEDULED MAINTENANCE

For complete maintenance recommendations, refer to the Maintenance Schedule and Record Log.

Engine oil and filter change	each 7,500 miles or 6 months*
Spark plug change	each 30,000 miles**
Air filter replacement	each 30,000 miles
Engine coolant replacement	each 30,000 miles or 3 years

*For Super Coupe, change as indicated by maintenance monitor, but not to go beyond 5,000 miles or 6 months, whichever comes first.
**60,000 for Super Coupe.

5-MILE-PER-HOUR BUMPERS

Ford equips Thunderbird with impact-resistant front and rear bumpers that meet the damageability requirements of the Federal Bumper Standard at 5-mph (exceeding the standard's 2 1/2-mph requirement).

GAS MILEAGE

1989 EPA mileage estimates were not available at the time this publication was approved for printing. See your dealer for current information.



Participating Ford Dealers offer the Lifetime Service Guarantee, which guarantees their customer-paid work on your Ford vehicle for as long as you own it. A covered repair is paid for once. If it ever has to be fixed again, the repairing dealer will fix it free. Ask to see a copy of this limited warranty when you visit your participating Ford Dealer.



The optional Ford Extended Service Plan covers major components on new Ford cars and light trucks for longer than the vehicle's basic warranty. Your Ford Dealer has full details.

Motorcraft

QUALITY REPLACEMENT PARTS FROM FORD

Genuine Ford and Motorcraft original equipment replacement parts meet the same high standards as those installed in production.



The leasing alternative is available through your Ford Dealer. A participating dealer can arrange financing terms or a Red Carpet Lease® for qualified applicants tailored to your circumstances through Ford Credit.

Ford-paid repair programs after the warranty period

Sometimes Ford Motor Company offers adjustment programs to pay all or part of the cost of certain repairs. These programs are intended to assist owners and are in addition to the warranty or to required recalls.

Technical service bulletins

All vehicles need repairs during their lifetime. Sometimes Ford issues technical service bulletins (TSBs) and easy-to-read explanations describing unusual engine or transmission conditions which may lead to costly repairs, the recommended repairs, and new repair procedures. Often a repair now can prevent a more serious repair later.

For more information...

Ask Ford Motor Company or your Ford or Lincoln Mercury, Scorpio, XR4Ti Dealer about Ford-paid repair programs and/or TSBs relating to your vehicle.

To get copies of these materials for your vehicle or the vehicle of interest to you, call Ford toll-free at 1-800-241-3673. Alaska/Hawaii call 1-800-241-3711 and in Georgia call 1-800-282-0959.

Or write Ford at:

Ford Customer
Information System
Post Office Box 95427
Atlanta, Georgia 30347

We'll need your name and address, year, make, model and vehicle identification number, as well as engine size.

Options availability

Options shown or described in this catalog are available at extra cost and may be offered only in combination with other options or subject to additional ordering requirements or limitations.

"Ask your Ford Dealer"

Following publication of this catalog, certain changes in standard equipment, options, prices and the like, or product delays, may have occurred which would not be included in these pages. Your Ford Dealer is your best source for up-to-date information.

Product changes

Ford Division reserves the right to change product specifications at any time without incurring obligations.

