

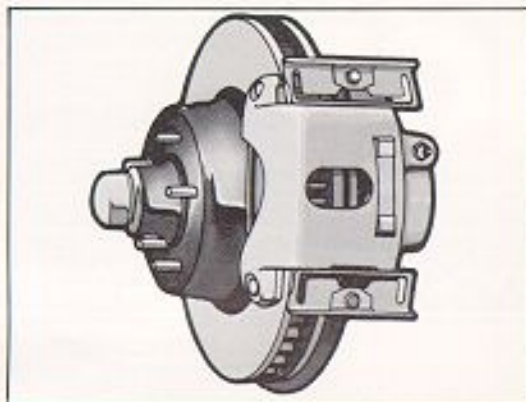
# 1980 DODGE POLICE VEHICLES

TOUGH AND ROAD-READY FOR ACTION



# ST. REGIS PURSUIT (A38 PACKAGE)

## A FULL-SIZE DODGE FOR BIG-SIZE JOBS



Heavy-duty front-wheel disc brake



Instruments, driver centered



Optional 60/40 heavy-duty cloth-and-vinyl seat available in blue or cashmere

**ABOUT THIS CATALOG.** We have tried to make this catalog as complete as possible. And we hope you find it useful. However, since the time of printing, some of the information you'll find here may have been updated. Also, some of the equipment shown or described throughout this catalog is available at extra cost. Your dealer has details and you should ask him for current information before ordering.

For additional standard and optional equipment, see pages 8 and 9. Dimensions are on page 15.

For years, tough Dodge police cars have provided outstanding performance and service for state and local police departments across the country. St. Regis is the latest Dodge to be engineered and outfitted for the rigorous and demanding tasks common to police work. And St. Regis has the size, performance and dependability to make it first choice for any police force.

### OPTIONAL 5.9-LITER (360 CID) FOUR-BARREL V-8 ENGINE . . . DESIGNED FOR PURSUIT POWER!

(Not available in California)

Dual carburetor air intake snorkels and dual exhausts give this optional V-8 the free breathing needed for fast-action pursuit jobs. It gets St. Regis Pursuit off to a fast start and has the power and stamina required for high-speed police work.

Engine durability is increased by the use of many heavy-duty parts—valves, valve springs, rocker arms, timing chain, water pump and others. It also includes a crankcase oil anti-turbulence baffle.

Chrysler Corporation's lively 5.2-liter (318 CID) two-barrel heavy-duty V-8 is also available on the St. Regis Pursuit. California models are equipped with a four-barrel version of the same engine, which is also available in other states.

### TORQUEFLITE AUTOMATIC IS STANDARD!

Smooth, efficient and tough—that's Chrysler Corporation's TorqueFlite three-speed heavy-duty automatic transmissions—engine matched in performance characteristics and with a reputation for performance, durability and low maintenance requirements. An auxiliary oil cooler and low gear block-out are included.

### HEAVY-DUTY DISC BRAKES FOR CONTROLLED STOPPING

Front brakes are heavy-duty self-

adjusting discs with semi-metallic pads; rear brakes have big 11-inch by 2½-inch drums—and brake application is power assisted for low pedal effort. Rear brakes have automatic adjusters.

### EASY-TO-READ GAUGES GIVE ACCURATE READINGS

The St. Regis Police Pursuit instrument panel has big gauges for engine temperature and the alternator so the driver can keep track of these important engine and electrical functions. An oil pressure gauge is included with the optional certified speedometer. An oil pressure warning light is standard.

### RESPONSIVE STEERING AND HANDLING

Firm-Feel power steering (oil cooler standard on V-8 models) and police handling suspension are standard on St. Regis Pursuit. Steering is easy and responsive, but with a good feel of the road. The police suspension gives a firm, controlled ride for predictable action in high-speed pursuit.

### HEAVY-DUTY SEATS ARE DESIGNED FOR COMFORT AND DURABILITY

All St. Regis Pursuit front seats have heavy-duty construction with heavy-duty full foam or spring cushions for comfortable seating. Heavy-duty seat materials—cloth-and-vinyl and all-vinyl—to withstand the around-the-clock service of police work are available with K1, K2 and K9 trims.

Rear seats with heavy-duty construction and full-foam padding are also available as an option with K1, K2 and K9 trims.

### ROOMY TRUNK FOR EXTRA GEAR

Open the trunk of a St. Regis and you'll find plenty of room for big-size loads of special police equipment and gear.

### ST. REGIS PURSUIT SEATS AND INTERIOR TRIMS

Seat Availability	Seat Type	Seat Trim	Trim Colors and Codes
STANDARD—Front— —Rear—	bench <sup>(1)</sup> bench <sup>(2)</sup>	heavy-duty cloth-and-vinyl Seat Code: K1	dark blue (K1C8) cashmere (K1T3)
OPTIONAL—Front— —Rear—	bench <sup>(1)</sup> bench <sup>(2)</sup>	heavy-duty all-vinyl Seat Code: K2	dark blue (K2C8) cashmere (K2T3)
OPTIONAL—Front— —Rear—	60/40 <sup>(1)(3)</sup> bench <sup>(2)</sup>	heavy-duty cloth-and-vinyl Seat Code: K9	dark blue (K9C8) cashmere (K9T3)
OPTIONAL—Front— —Rear—	bench with folding center armrest <sup>(1)</sup> bench	all-vinyl Seat Code: B4	dark blue (B4C8) green (B4G5) cashmere (B4T3) red (B4M6) heather (B4D3)
OPTIONAL—Front— —Rear—	bench with folding center armrest <sup>(1)</sup> bench	cloth-and-vinyl Seat Code: A3	dark blue (A3C8) green (A3G5) cashmere (A3T3) red (A3M6) heather (A3D3)

(1) Heavy-duty seat construction.

(2) Regular-duty seat; heavy-duty construction is available at extra cost.

(3) The 60/40 optional seat has a folding center armrest and two separate seat sections with a seat adjuster for each section.





# DODGE ASPEN PURSUIT (A38 PACKAGE)

## SURPRISING ROOMINESS AND COMFORT!

You have to sit in the front seat of an Aspen Pursuit to appreciate the roominess and to feel the comfort.

Actually, Aspen has more front-seat legroom and headroom than some "regular-size" cars—and legroom and headroom are the two important roominess dimensions in any police car.

Aspen's compact exterior dimensions—only 204.3 inches long overall—are ideal for maneuverability in traffic and in other close quarters.

### THREE HEAVY-DUTY ENGINES!

Aspen Pursuit can be equipped with the standard 3.7-liter (225 CID) one-barrel heavy-duty Slant Six for best economy, the optional 5.2-liter (318 CID) heavy-duty V-8 for lively performance with good economy, or the optional 5.9-liter (360 CID) four-barrel heavy-duty V-8 with dual exhausts and single large tailpipe (not available in California) for extra performance. All three engines have heavy-duty parts for increased durability.

### TOUGH TORQUEFLITE AUTOMATIC TRANSMISSION!

This smooth-operating, efficient and durable automatic transmission is standard on Aspen Pursuit models. Heavy-duty TorqueFlite comes in three separate versions, engine matched in performance and size characteristics. Millions of miles of reliable service over the years have given TorqueFlite its reputation for performance and durability. An auxiliary oil cooler and low-gear blockout are also standard.

### BRAKES BUILT FOR HARD SERVICE

Heavy-duty power brakes are standard on all Aspen Pursuit models. The front disc brakes have semi-metallic pads; the rear brakes are big 11-inch by 2½-inch drum type. This brake combination provides controlled stopping even in heavy use.

### CONTROLLED RIDE AND HANDLING

Every Aspen Pursuit is equipped with special police suspension for firm, responsive handling and better car control. This suspension includes front and rear antisway bars, transverse-mounted torsion-bar front springs, heavy-duty rear leaf springs, heavy-duty strut bushings and heavy-duty shock absorbers.

**Firm-Feel power steering**—that retains a feel of the road—is standard with all Aspen Pursuit models. This power steering is geared for high-speed control and includes oil cooler with V-8 engines.

### EASY-TO-READ GAUGES

Aspen Pursuit has gauges for important functions: engine temperature, alternator and fuel level. They give the driver continuous readings so he knows what's going on. An oil pressure gauge is included with the optional certified speedometer. Oil pressure warning light is standard.

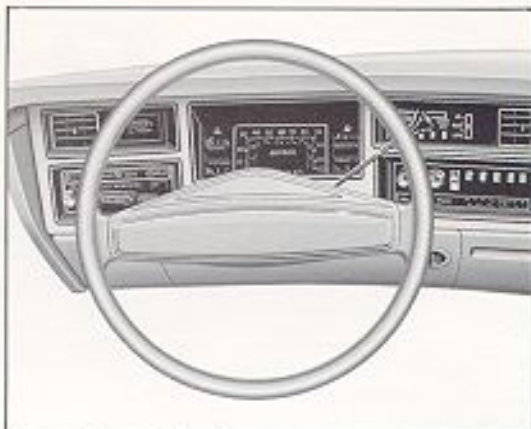
### BIG TRUNK—BIG CARGO COMPARTMENT

Aspen's Pursuit sedan has a large trunk capacity with the full-size spare mounted forward. A deep trunk well makes room for taller items.

### COMFORTABLE SEATS, HEAVY-DUTY CONSTRUCTION, DURABLE TRIMS

Front seats in all Aspen Pursuit models have full-foam padding for seating comfort. Full-foam padded rear seat with heavy-duty construction is available in blue, red or cashmere.

The standard seat trim is cloth-and-vinyl, available in blue, red or cashmere.



Aspen instrument cluster



Optional heavy-duty all-vinyl bench seat



Optional 60/40 heavy-duty all-vinyl bench seat

### ASPEN PURSUIT SEATS AND INTERIOR TRIMS

Seat Availability	Seat Type	Seat Trim and Code	Trim Colors and Codes
STANDARD—Front— —Rear—	bench <sup>(1)</sup> bench <sup>(2)</sup>	regular-duty cloth-and-vinyl Seat Code: A1	blue (A1B2) red (A1M6) cashmere (A1T3)
OPTIONAL—Front— —Rear—	bench <sup>(1)</sup> bench <sup>(2)</sup>	heavy-duty all-vinyl Seat Code: K2	blue (K2B2) cashmere (K2T3)
OPTIONAL—Front— —Rear—	60/40 <sup>(1)(2)(3)</sup> bench <sup>(2)</sup>	heavy-duty all-vinyl Seat Code: KX	cashmere (KXT3)
OPTIONAL—Front— —Rear—	bench <sup>(1)</sup> bench <sup>(2)</sup>	regular-duty all-vinyl Seat Code: B2	blue (B2B2) red (B2M6) cashmere (B2T3)

(1) Heavy-duty seat construction.

(2) Regular-duty seat; heavy-duty construction is available at extra cost.

(3) The 60/40 optional seat has a folding center armrest and two separate seat sections with a seat adjuster for each section.

For additional standard and optional equipment, see pages 8 and 9. Dimensions are on page 15.

EMERGENCY



# DODGE VANS AND SPORTSMAN WAGONS CAN HANDLE THOSE SPECIAL POLICE JOBS

For versatility, dependability and durability—Dodge Vans and Sportsman Wagons make ideal choices for any police force or sheriff's department. These sturdy truck-tough vehicles can serve in a variety of capacities—for emergency duty, people movers, riot squad equipment carriers, mobile radio control centers, etc. And these ruggedly constructed vehicles can take all kinds of punishment while continuing to deliver dependable service.

Sportsman Wagons are available with a choice of four seating capacities—for five (standard), eight, twelve and, on B300 Maxi wagons, fifteen—and they can be converted to ambulance service by removing the rear bench seats. A single rear door that can be opened a full 90 degrees and can be operated with one hand is standard. A metal door check arm holds it in the full open position. A single fixed wide window in the door gives good rearward visibility. Double rear doors are available as an option.

A wide sliding side door is a desirable Sportsman Wagon or Van option for many operations. It slides back easily to provide wide access to the vehicle's interior, and

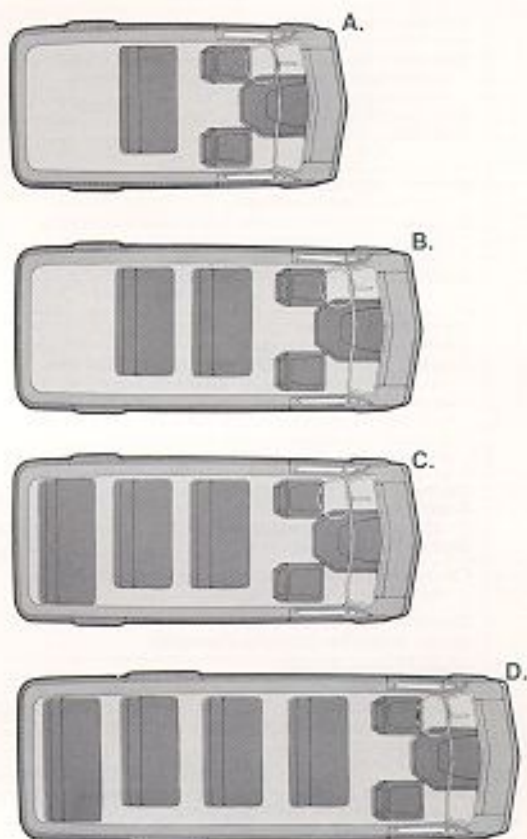
is especially useful in close quarters where a hinged door could not be opened fully. Double, hinged side doors with vented glass are standard.

**The Dodge Van Police Vehicle** is ideally suited for emergency and special-duty operations. It can carry all kinds of special equipment and gear without detection. But it can also be ordered with optional side and rear windows. The Maxivan provides over 11 feet of cargo floor length—and it's wide enough to accommodate two full-size stretchers side by side.

## COMFORT, UTILITY AND DURABILITY HIGHLIGHT SEAT CHOICES

Dodge Vans and Sportsman Wagons offer a variety of seating options. The big difference is in the number of seats provided. Sportsman's standard seating arrangement has bucket seats for the driver and front passenger—as well as a quick-release three-passenger bench seat. Additional bench seats are available on Sportsman for eight or twelve passengers; and, on the B300 Maxiwagon, fifteen passengers. Only the driver's bucket seat is standard on the Van—the front passenger bucket seat is an option. No rear seats are available on the Van.

## SPORTSMAN OFFERS FOUR SEATING ARRANGEMENTS... SEATING UP TO 15 PASSENGERS



- A. Standard five-passenger seating, all models.
- B. Optional eight-passenger seating, B200 and B300 models.
- C. Optional 12-passenger seating, B300 models.
- D. Optional 15-passenger seating, B300 127.6-inch-wheelbase Maxiwagon.



Royal Sportsman optional high-back Command bucket seats

## DODGE VAN AND SPORTSMAN WAGON FRONT SEATS AND INTERIOR TRIMS<sup>(1)</sup>

AVAILABILITY	SEAT TYPE & CODE	TRIM COLORS & CODES
Sportsman, Custom Sportsman, Dodge Van— <b>STANDARD</b>	low-back bucket—Tacoma vinyl Seat Codes: KN1—Vans; <sup>(2)</sup> KN2—Vans & Wagons	blue—KT2 green—KT3 cashmere—KT5 black—KT1 (Van only)
Royal Sportsman, Dodge Van Royal Interior Package— <b>STD.</b> Dodge Van— <b>OPTIONAL</b>	low-back bucket—Oxford vinyl Seat Codes: KA3—Vans; <sup>(2)</sup> KA5—Vans & Wagons	blue—KT2 green—KT3 cashmere—KT5 red—KT6 black—KT1 (Van only)
Royal Sportsman S.E.— <b>STANDARD</b> Dodge Van with Royal Interior Package— <b>OPTIONAL</b>	high-back Command bucket reclining—Tahoe cloth-and-vinyl Seat Code: KN7—Vans & Wagons	blue—KT2 cashmere—KT5 red—KT6
Royal Sportsman, Dodge Van— <b>OPTIONAL</b>	high-back Command bucket—Tucson cloth-and-vinyl Seat Code: KN6—Vans and Wagons	blue—KT2 green—KT3 cashmere—KT5 red—KT6 black—KT1 (Van only)
Royal Sportsman, Dodge Van— <b>OPTIONAL</b>	high-back Command bucket swivel—Tucson cloth-and-vinyl Seat Code: KN8—Vans and Wagons	blue—KT2 green—KT3 cashmere—KT5 red—KT6 black—KT1 (Van only)
Royal Sportsman S.E., Dodge Van with Royal Interior Package— <b>OPTIONAL</b>	high-back Command bucket reclining & swivel—Tahoe cloth-and-vinyl Seat Code: KN9—Vans and Wagons	blue—KT2 cashmere—KT5 red—KT6

(1) Trim for standard and optional rear bench seats matches front-seat trim on wagons. Sportsman Wagons are equipped with driver's bucket seat, front-passenger bucket seat and three-passenger quick-release rear bench seat. Additional bench seats are optional. Dodge Vans are equipped with driver's bucket seat only—front-passenger bucket seat is optional.

(2) Driver's bucket seat only in Dodge Van.

For additional standard and optional equipment, see pages 10 and 11. Dimensions are on page 15.

# 1980 Dodge Police Fleet Equipment, Cars

## STANDARD EQUIPMENT WITH (A38) PURSUIT PACKAGE

	Aspen	St. Regis
<b>Air Cleaner</b> —Dry-type, replaceable element	S	S
<b>Alternator</b> —Heavy-duty 65-ampere Chrysler with electronic regulator	S	S
<b>Ammeter</b>	S	S
<b>Antifreeze</b> —For minus 35° F	S	S
<b>Armrests</b> —Front and rear (rear includes ash receivers on St. Regis)	S	S
<b>Ash Receiver</b> —Front	S	S
<b>Ash Receivers</b> —Rear	E	S
<b>Automatic Air Conditioning Hi-Pressure Clutch Cutoff Switch</b> —For compressor, with optional air conditioning only	S	S
<b>Axle Ratios</b> —2.9	S	S
<b>Axle Size</b> —8.25"	S	NA
—9.25"	NA	S
<b>Battery</b> —500-ampere (85-ampere-hours) with Thermo-Guard heat shield	S	S
<b>Brakes</b> —Heavy-duty power brakes with dual master cylinder; disc front brakes with semi-metallic front pads; 11" x 2.5" rear drum brakes	S	S
<b>Brakes, Power Booster</b> —Dual tandem	NA	NA
—Single diaphragm	S	NA
<b>Catalytic Converter</b>	S	S
<b>Coolant Recovery System</b>	S	S
<b>Coolant System</b> —Maximum capacity radiator with 18" diameter seven-blade flex fan on 6-cylinder engines without A/C; 20" diameter seven-blade fan with thermal torque drive on V-8 engines; 18" diameter five-blade fan with thermal drive on 6-cylinder engine with A/C	S	S
<b>Easy-Fill Oil Filler Tube</b> (with V-8 engines only)	S	S
<b>Electronic Ignition</b>	S	S
<b>Engines</b> (see chart on page 14)	S	S
<b>Engine Mounts</b> —Spool-type	S	S
<b>Front Fender</b> —Wheelhouse panel high-temperature aluminized shields (8-cyl. only)	NA	S
<b>Gauges</b> —Engine temperature, ammeter, fuel	S	S
<b>Grass Shield for Catalytic Converter</b>	S	S
<b>Heater with Defroster</b>	S	S
<b>Heavy-Duty Service Package</b> —Extra welds and reinforcements	S	S
<b>Hood Release</b> —Instrument panel mounted	S	S
<b>Horns</b> —Single	S	NA
—Dual	E	S
<b>Interior Trim, Aspen</b> —Cloth-and-vinyl straight bench (A1) available in blue, cashmere or red	S	NA
<b>Interior Trim, St. Regis</b> —Heavy-duty cloth-and-vinyl straight bench (K1) available in dark blue or cashmere	NA	S
<b>Mirror</b> —Inside day/night	E	S
—Outside left, manual, door-mounted	S	NA
—Outside, flag-type, left and right, manual	NA	S
<b>Oil Filter</b> —Full-flow, throwaway	S	S
<b>Oil Pressure Warning Light</b> (NA with certified speedometer)	S	S
<b>Parking Brake Warning Light</b>	S	S
<b>Police Accessory Feed Wire</b> —From battery to passenger compartment; #8 wire with fusible link protection through grommet in firewall plus two jumper wires (cornering lamps not available on St. Regis)	S	S
<b>Power Steering Oil Pump Cooler</b> (with V-8 engines only)	S	S
<b>Seat Belts</b> —Three front, three rear (driver and right-front passenger seats have combined lap-shoulder belts)	S	S
<b>Seat, Front</b> —Heavy-duty seat construction	S	S
<b>Splash Shield, Rubber</b> —Special heat-reflective, right side	NA	S
<b>Speedometer</b> —Non-certified, 85 mph	S	S
<b>Steering, Power</b> —Pursuit Firm-Feel type	S	S
<b>Spotlight Switch</b> —Heavy-duty (not available with automatic speed control)	S	S
<b>Suspension, Aspen</b> —Specially designed and engineered suspension for pursuit-type work; includes front and rear anti-sway bars, heavy-duty rear leaf springs with special bushings, heavy-duty strut bushings and 1-3/16-inch front and rear shock absorbers	S	NA
<b>Suspension, St. Regis</b> —Specially designed and engineered suspension for pursuit-type work, with the following heavy-duty components matched for high-speed handling: front anti-sway bar, torsion bars, rear anti-sway bar, extended-life upper and lower control arm bushings and heavy-duty rear leaf springs with special bushings and heavy-duty 1-3/16-inch front and rear shock absorbers	NA	S
<b>Tinted Glass</b> —All windows (including shaded windshield)	E	S
<b>Tires</b> (see Tire Chart on page 9)	S	S
<b>Tire, Spare, Conventional</b> —Same as Road Wheels	S	S
<b>Transmission Auxiliary Oil Cooler</b>	S	S
<b>Transmission Low-Gear Blockout</b>	S	S
<b>Transmission, TorqueFlite Automatic</b> —Three-speed	S	S

	Aspen	St. Regis
<b>Wheels</b> —Black enamel (14" x 6.0" J.J.)	S	NA
<b>Wheels</b> —Extra heavy-duty (15" x 7.0")	E	S
<b>Windshield Wipers</b> —Two-speed with electric washers	S	S

## OPTIONAL EQUIPMENT WITH (A38) PURSUIT PACKAGES

	Aspen	St. Regis
<b>Air Conditioning(1)</b>	E	E
<b>Alternator</b> —100-ampere, dual belt drive, 8-cyl.; single belt, 6-cyl. (recommended for cars with emergency lights)	E	E
<b>Clear Windshield</b> —With tinted side and back window glass	NA	E
<b>Deactivate Door Switch</b> —Control of dome lamp	E	E
<b>Deck-Lid Release, Remote</b> —Electric; control on instrument panel	E	E
<b>Defroster, Rear Window(2)</b> —Electrically heated	E	NA
<b>Defogger, Rear Window(2)</b> —Blower-type	E	NA
<b>Engine Block Heater</b> —Not available in California	E	E
<b>Engine Oil Cooler</b> —Optional E58 engine only	E	E
<b>Engines</b> (see Engine Chart on page 14)	E	E
<b>Fast-Idle Throttle Control</b> —Manual locking type	E	E
<b>Hose Clamps</b> —Stainless steel, worm type	E	E
<b>Keys, Single</b> —Same key for all locks on car, different key for each car only (NA with optional tilt steering wheel)	E	E
<b>Keys, Universal Single System</b> —Same key for all locks on all 1980 cars in fleet (NA with optional tilt steering wheel)	E	E
<b>Lamp, Glove Box</b>	E	E
<b>Lamp, Luggage Compartment</b>	E	E
<b>Lamp, Underhood</b>	E	E
<b>Light, Additional Dome</b>	E	E
<b>Locking Gas Cap</b>	E	E
<b>Mats, Floor</b> —Heavy-duty black, front and rear	E	E
<b>Mirror, Right, Outside</b> —Remote-control (available only in combination with left remote outside mirror)	E	E
<b>Mirror, Inside</b> —Day/night	E	S
<b>Police Bonding Strap Package</b> —Includes braided bonding straps as follows: exhaust system, 4 straps on single, 8 on dual, 7 on dual w/single tailpipe; hood to body, 2 straps; deck lid to body, 1 strap; trans. to chassis, 1 strap; engine to chassis, 1 strap; engine to body, 1 strap	E	E
<b>Radiator, Silicone Heater and Bypass Hose</b> —Available on 8-cyl. with air conditioning only	E	E
<b>Radio Cable Conduit</b> —1/2" diameter (Aspen requires H.D. rear seat)	E	E
<b>Radio Suppression Package</b> —Standard with radio	E	E
<b>Relay Control System</b> —Includes one #10-gauge direct battery feed wire with 30-amp circuit breaker, two #12 wire circuits with ignition key control (thru relay) with 20-amp circuit breakers on each, and two #10 ground wires	E	E
<b>Roof Reinforcement Plate</b> —For light or siren	E	E
<b>Roof Wire</b> —Six 12-gauge and two 16-gauge wires with roof hole on roof centerline, 19 inches rear of windshield	E	E
<b>Roof Wire</b> —Six 12-gauge and two 16-gauge wires with roof hole on right side of roof near center pillar	E	E
<b>Roof Wire</b> —Six 12-gauge and two 16-gauge wires less roof hole	E	E
<b>Seat, Rear</b> —Heavy-duty construction with full-foam cushion (A1, B2, K2, KX trims only)	E	NA
<b>Seat, Rear</b> —Heavy-duty construction with full-foam cushion (K1, K2, K9 trims only)	NA	E
<b>Speedometer(3)</b> —Certified to 125 mph; includes oil pressure gauge in lieu of warning light (NA with A01 Package on St. Regis; NA with clock on Aspen)	E	E
<b>Spotlight, Left, 6"</b> —Windshield-pillar mounted	E	E
<b>Spotlight, Right, 6"</b> —Windshield-pillar mounted	E	E
<b>Sure-Grip Rear Axle</b> —2.9 ratio	E	E
<b>Tinted Glass</b> —All windows (including shaded windshield)	E	S
<b>Trim</b> —See pages 2 and 5		
<b>Wheel Covers</b> —Vented 15"	NA	E
<b>Wheel Covers</b> —Vented 14"	E	NA
<b>Wheels</b> —Heavy-duty (15" x 7.0")	E	S

S—Standard, E—Extra Cost, NA—Not Available.

(1) Ask your dealer for details regarding restrictions applicable to the later installation of air conditioning.

(2) Either required on all vehicles registered in the state of New York.

(3) Warning: calibrated speedometer with scale over 85 mph may legally be purchased only by law enforcement agencies for the purpose of law enforcement.



# Dodge Pursuit Packages, Code A38

Dodge A38 Pursuit Packages are available on the Aspen and St. Regis models shown in the following chart:

Code	Body Style	Car Line	NOTE: See page 8 for contents of Code A38 Pursuit Package
NL41	4-door sedan	Aspen	
EH42	4-door pillared hardtop sedan	St. Regis	

## Pursuit tires and wheels

Tire Size <sup>(1)</sup>	Tire Type	Sidewall	Wheel Size	Aspen	St. Regis
P215/70R14	fabric-belted radial-ply, high-performance police type	black	14 x 6.0 JJ	S	NA
P215/70R15		black	heavy-duty 15 x 7.0 JJ	E	S
P225/70R15		black	heavy-duty 15 x 7.0 JJ	NA	E

(1) All P-metric tires listed are "standard" load range.

S—Standard. E—Optional at extra cost. NA—Not available.

### IMPORTANT TIRE NOTICE

Certified high-speed radial tires with fabric belts are standard on all 1980 Dodge St. Regis and Aspen Pursuit Packages.

These tires on Pursuit Packages have been tested for good handling characteristics by Chrysler Corporation. Tires other than high-performance police-type tires should

not be used for speeds over 100 mph.

A rear antisway bar to provide optimum handling with radial tires is standard on all Pursuit Packages.

If bias or bias-belted tires are installed, it is recommended that the rear antisway bar be removed because of adverse handling effects with these types of tires.

## Special-Order Equipment, Cars

Special order items beyond regular production optional equipment may be ordered to meet police needs. Longer build scheduling times and minimum quantity orders are normally required.

To minimize both building time and order size

requirements, we have standardized some of the most popular of these special order items. Acceptance exactly as listed in the following chart will help speed up production and enable us to meet your needs quickly and accurately.

ITEM	Aspen with A38	St. Regis with A38	Minimum Quantity Order
<b>Special provisions to assist in field installation of police electrical accessories.</b> 1. <b>Special horn and siren switch</b> to permit driver selection of horn or siren operation from the steering wheel horn switch. Includes single wire routed to center of instrument panel for agency connection to siren control. (Includes special switch plate and non-standard ash receiver on St. Regis.)	E	E	5
2. <b>Special instrument panel radio speaker</b> with 4-ohm nominal voice coil impedance. Includes 36" lead wires attached to speaker.	E	E	1
3. <b>Special antenna cable</b> RG 58 A/U. Routed from a point approximately in the center of the roof panel down the right roof quarter to the luggage compartment.  If an antenna roof hole is specified (Item 4, below), the cable will be routed through the hole and weatherproofed for shipping.  If a roof hole is not specified, the cable will be coiled and taped to the underside of the roof panel.	E	E	1
4. <b>Special 0.81" diameter roof hole</b> located on car fore and aft centerline near center of roof, approximately 40" to rear of upper windshield molding. This size fits many standard antenna bases.	E	E	1

E—Optional at extra cost.

# 1980 Dodge Van and Sportsman Wagon equipment

STANDARD EQUIPMENT	Sportsman Wagon	Dodge Van
<b>Air Cleaner</b> —Dry type	S	S
<b>Air Vent Doors</b> —Left outlet in cowl side panel, right outlet in right side of instrument panel	S	S
<b>Alternator</b> —48-ampere	S	S
<b>Antifreeze</b> —20°F protection	S	S
<b>Armrests</b> —Driver and front passenger	S	S
<b>Ashtray</b> —Driver's compartment	S	S
<b>Axle, Front</b> —Independent front suspension		
B100 <sup>(1)</sup> all models—3,300-lb capacity	S	S
B200, all models—3,300-lb capacity	S	S
B300, all models—3,600-lb capacity	S	S
<b>Axle, Rear</b>		
B100 <sup>(1)</sup> all models—2,700-lb capacity	S	S
B200, 3,550-lb capacity	S	S
Maxivan & Maxiwagon—3,850-lb capacity	S	S
B300, all models—5,500-lb capacity	S	S
<b>Battery</b> —48-ampere-hour/305-ampere Cold Crank	S	S
<b>Brakes</b>		
B100 <sup>(1)</sup> —11.75" x 1.25" front disc; 10" x 2.5" rear drum	S	S
B200—11.75" x 1.25" front disc; 10" x 2.5" rear drum	S	S
B300—12.82" x 1.19" front disc; 12" x 2.5" rear drum	S	S
<b>Brakes, Power</b>		
Sportsman Wagons	S	—
Vans <sup>(2)</sup>	—	S
<b>Cargo/Passenger Doors</b>		
Sportsman—Double right side and single rear	S	—
Vans—Double right side and double rear	—	S
<b>Clutch</b>		
B100 <sup>(1)</sup> and B200 models (not available Maxiwagon)—10" diameter with 3.7-liter (225 CID) Slant Six; 10.5" diameter with 5.2-liter (318 CID) 8-cyl; 100.0 sq in. with 6-cyl; 107.0 sq in. with 5.2-liter (318 CID) 8-cyl	S	S
<b>Electronic Ignition System</b> —All models	S	S
<b>Engines</b>		
B100 <sup>(1)</sup> —3.7-liter (225 CID) Slant Six	S	S
B200—3.7-liter (225 CID) Slant Six <sup>(3)</sup>	S	S
B200—5.2-liter (318 CID) V-8 (Maxiwagon)	S	S
B300—5.2-liter (318 CID) V-8	S	S
<b>Fuel Tank</b> —22 gallons	S	S
<b>Headliner</b> —Perforated hardboard in driver's compartment, color-keyed	S	S
<b>Instrumentation</b> —Fuel, ammeter and temperature gauges, oil pressure indicator light and speedometer/odometer	S	S
<b>Mirrors, Exterior</b> —Dual 5" x 7" heads, painted	S	S
<b>Mirrors, Interior</b> —10"	S	NA
<b>Oil Filter</b> —Throwaway type	S	S
<b>Seats</b>		
Sportsman—Driver and front passenger low-back vinyl bucket seats include seat belts and retractors (color-keyed); rear three-passenger quick-release vinyl bench seat includes three seat belts	S	—
Van—Driver's low-back vinyl bucket seat includes seat belt and retractor (color-keyed)	—	S
<b>Shock Absorbers</b> —Front and rear: 1" standard; 1.18" heavy-duty B200 Maxivan and Maxiwagon, standard	S	S
<b>Springs, Front Coil</b> —Standard tuned for maximum load	S	S

STANDARD EQUIPMENT	Sportsman Wagon	Dodge Van
<b>Springs, Rear, Leaf</b>		
B100 <sup>(1)</sup> all models—1,375-lb capacity @ ground	S	S
B200—1,810-lb capacity @ ground —1,980-lb capacity @ ground Maxivan and Maxiwagon	S	S
B300 all models—2,360-lb capacity @ ground	S	S
<b>Steering</b>		
Manual—B100, B200	S	S
Power—B300	S	S
<b>Tires</b>		
<b>B100<sup>(1)</sup>—Five</b>		
w/ Van—all models—		
P195/75R15B (4PR) glass-belted radial	—	S
w/ Sportsman—all models		
P195/75R15B (4PR) glass-belted radial	S	—
<b>Wheels &amp; Rims—Five</b>		
15" x 5.50" five-hole disc	S	S
<b>B200—Four</b>		
w/ Vans—109.6" and 127.6" wb		
P225/75R15B (4PR) glass-belted radial —127.6" wb Maxivan	—	S
P235/75R15C (6PR) glass-belted radial —Five	—	S
w/ Sportsman—109.6" and 127.6" wb—		
P225/75R15B (4PR) glass-belted radial —127.6" wb Maxiwagon	S	—
P235/75R15C (6PR) glass-belted radial	S	—
<b>Wheels &amp; Rims—Four</b>		
109.6" and 127.6" wb Van—15" x 6.50" five-hole disc	—	S
—Five		
109.6" and 127.6" wb wagon—15" x 6.50" five-hole disc	S	—
—Four		
127.6" wb Maxivan—15" x 6.50" h.d. —Five	—	S
127.6" wb Maxiwagon—15" x 6.50" h.d. five-hole disc	S	—
<b>B300—Four</b>		
w/ Vans—127.6" wb: 8.00 x 16.5D (8PR) —127.6" wb Maxivan: 8.00 x 16.5E (10PR) polyester bias-belted	—	S
—Five		
w/ Sportsman, all models—8.00 x 16.5E (10PR) polyester bias-belted	S	—
<b>Wheels &amp; Rims—all models: 16.5" x 6.00" eight-hole disc</b>	S	S
—Four w/ Vans		
—Five w/ Sportsman		
<b>Transmissions</b>		
B100 <sup>(1)</sup> and B200, all models except B200 Maxiwagon—Four-speed manual overdrive	S	S
B300, all models and B200 Maxiwagon—Three-speed automatic	S	S
<b>Windshield Washers</b> —Wiper arm-mounted, electric	S	S
<b>Windshield Wipers</b> —Two-speed (non-intermittent) wet arm	S	S

S—Standard. E—Extra Cost. NA—Not Available. NC—No Extra Cost.  
 (1) B100 Van & Sportsman Wagon models not available in California.  
 (2) Optional on B100 Vans with 4,700-lb GVW Package.  
 (3) Not available in California.

## ADDITIONAL STANDARD EQUIPMENT FOR ALL VAN AND WAGON MODELS

- Bumper, front and rear, painted
- Door lock (all doors)
- Glove box and door
- Heater, fresh air with defrosters
- Horn, single electric
- Hubcaps, bright
- Jack, bumper type (B100 and B200), axle type (B300)
- Directional signals, combined in parking and taillamps—front and rear
- Dome light, driver and cargo on vans (or passenger on wagons)
- Combined front parking lamps, turn signals, side-marker lamps—amber
- Combined rear side-marker lamps and reflector—red
- Backup lights
- Four-way emergency flasher
- Spare tire carrier

# Van and Sportsman Wagon optional equipment

	Sportsman Wagon	Dodge Van
<b>Air Conditioning<sup>(1)</sup></b> Integral front available on all models Auxiliary rear (with or without auxiliary heater) on 127.6" wheelbase 8-cyl models (requires integral front air cond. at extra cost)	E	E
<b>Alternator</b> —63-ampere —117-ampere	E E	E E
<b>Automatic Speed Control</b> —Available with optional V-8 engine and automatic transmission only (V-8 and automatic transmission standard on B300 models)	E	E
<b>Battery</b> 59-ampere-hour/375-amp Cold Crank 70-ampere-hour/430-amp Cold Crank (Maintenance-Free) 85-ampere-hour/500-amp Cold Crank Long Life	E E E	E E E
<b>Battery, Auxiliary</b> —85-amp-hr/500-amp Cold Crank Long-Life for B300 Vans only. Available with all batteries except 85-amp-hr/500-amp Cold Crank Long-Life main battery	NA	E
<b>Brakes, Power</b> —B100 Van models w/4,700-lb GVW (standard on all other models)	S	E
<b>Bumpers, Bright Finish</b> —Front and rear: for standard Vans and Sportsman and Custom Sportsman Wagons	E	E
<b>Bumper Guards</b> —Front and rear: bright finish with black rubber inserts	E	E
<b>Bumpers and Bumper Guards with Nerf Strips</b> —Bright finish—Front and rear	E	E
<b>Bumper, Rear Hitch Type</b> —Bright finish	E	E
<b>Cigar Lighter</b>	E	E
<b>Clock, Digital, Solid-State Electronic</b> —Four-digit vacuum fluorescent display in hours and minutes: for Vans with Royal Interior or Street Van Packages; for Wagons with Royal Sportsman or Royal Sportsman S.E. Package	E	E
<b>Cooling, Auxiliary</b> —Transmission oil-to-air for 8-cyl engine models only, requires automatic transmission and maximum cooling at extra cost	E	E
<b>Cooling, Maximum</b>	E	E
<b>Defroster, Rear Window</b> —Electric (single rear door only)	E	E
<b>Door, Double Rear</b>	E	E
<b>Door Edge Protectors</b> —Front doors only	E	E
<b>Door Inside Handle</b> —Rear door(s)	E	E
<b>Door Metal Check Arms</b> —90-degree opening position for rearward hinged side and double rear doors (included on single rear door and forward hinged side door)	E	E
<b>Door, Rear Single</b> —With fixed glass in door —With vented glass in door	E E	E E
<b>Door, Sliding Right Side</b> —Replaces standard hinged double doors	E	E
<b>Engines</b> —5.2-liter (318 CID) V-8 (standard on B300 Van and Wagon models and B200 Maxiwagon) —5.9-liter (360 CID) V-8 (NA w/B100 Van and Wagon models)	E E	E E
<b>Fuel Tank</b> —36 gallons; replaces standard tank; available all models	E	E
<b>Gauges</b> —Oil pressure and trip odometer	E	E
<b>Gauges</b> —Metric speedometer (kilometers/miles) and odometer (kilometers)	E	E
<b>Glass, Banded</b> —Front door glass and vent wings (see your dealer for requirements)	E	E
<b>Glass, Sun Screen</b>	E	E
<b>Glass, Tinted</b> —All windows	E	E
<b>Grille, Bright Finish</b> —For Sportsman and Custom Sportsman Wagon and Vans (includes quad rectangular headlamps with halogen high beam lamp)	E	E
<b>Headlamps, Quad Rectangular</b> —Dual vertically stacked with halogen high beam lamp for Sportsman, Custom Sportsman Wagons and Vans (except Vans with Royal Exterior or Street Van Package)	E	E
<b>Heater</b> —Deluxe in place of standard —Auxiliary heater in rear compartment —Engine block heater	E E E	E E E
<b>Horns, Dual Electric</b>	E	E
<b>Lamp, Reading</b> —Interior: mounted in the headliner in the driver's compartment	E	E
<b>Locks, Electric</b> —Front driver's compartment doors only —Front driver's compartment doors and all side and rear cargo/passenger compartment doors	E E	E E
<b>Lock, Hood Release</b> —In-cab actuated available for all models	E	E
<b>Mats, Rubber</b> —Accessory type: color-keyed (for driver's compartment only)	E	E
<b>Mirrors, Exterior</b> —Dual low-mount, 6" x 9", paint finish —Dual low-mount, 6" x 9", bright finish —Dual short arm, 5" x 7", bright finish	E E E	E E E
<b>Mirrors, Interior</b> —Day/night mirror —Illuminated vanity mirror	E E	E E
<b>Moldings</b> —Wheel-lip	E	E

	Sportsman Wagon	Dodge Van
<b>Power Steering</b> —Available B100 and B200 model; standard B300 models	E	E
<b>Power Windows, Electric</b> —For front door only	E	E
<b>Radios</b> —AM —AM/FM —AM/FM stereo —AM/FM stereo with Search-Tune —AM/FM stereo with cassette tape player, Dolby(2) system —AM/FM stereo with eight-track tape player —AM/FM stereo with 40-channel CB transceiver	E E E E E E E	E E E E E E E
<b>Radio, Rear Speaker</b> —Available with AM/FM radio only	E	E
<b>Scuff Pads</b> —Side step sill for front and side cargo/passenger doors	E	E
<b>Shock Absorbers</b> —Heavy-duty 1.18" dia, front and rear (standard on B200 Maxivans and Maxi wagons)	E	E
<b>Sky Lite Sun Roof</b> —Driver's compartment	E	E
<b>Spare Tire Cover</b> —For all Van models, and for Sportsman and Custom Sportsman Wagons (color-keyed)	E	E
<b>Springs, Heavy-Duty</b> —Consult local Dodge dealer for ratings	E	E
<b>Switches, Dome Lamp</b> —Door operated, for all doors: all Van models, Sportsman and Custom Sportsman Wagons	E	E
<b>Tilt-Type Steering Column</b> —Requires power steering and automatic transmission at extra cost (power steering and automatic transmission are standard on B300 models)	E	E
<b>Transmissions</b> —Three-speed automatic (standard on B200 Maxiwagon and all B300 models)	E	E
<b>Unibelt Restraint System</b> —Color-keyed combined lap and shoulder belts for driver and front passenger seat	E	E
<b>Wheel Covers</b> —Bright —Premium	E E	E E
<b>Wheels, Road</b> (NA on B200 Maxivan or Maxiwagon and all B300 models) —Five-slot chrome disc road wheels —White painted eight-spoke road wheels —Radial rib cast-aluminum road wheels	E E E	E E E
<b>Window Retention</b> —127.6" wb only (see your Dodge dealer for details)	S	E
<b>Windshield Wipers, Deluxe</b> —Two-speed with intermittent wipe	E	E

S—Standard, E—Extra Cost, NA—Not Available, NC—No Extra Cost.  
 (1) Ask your dealer for details regarding restrictions applicable to later installation of air conditioning.  
 (2) Dolby is a trademark of Dolby Laboratories.

OPTIONAL INTERIOR AND EXTERIOR PACKAGES	
Convenience Package	Royal Interior Package (Vans only)
Custom Sportsman Package (Wagons only)	Royal Sportsman Package (Wagons only)
Filigrée Pin Tape Stripe Package (Wagon only)	Royal Sportsman S.E. Package (Wagon only)
Insulation Package—Light-Duty (Vans only)	Sound-Control Package
Insulation Package—Heavy-Duty	Sport Van Tape Stripe Package (Vans only)
Light Package	Three Exterior Molding Packages
Lock Package	Trailer-Towing Package—Light-Duty
Royal Exterior Package (Vans only)	Trailer-Towing Package—Heavy-Duty

NOTE: See your dealer for more information.

TIRE AND WHEEL CHART		
Model	Tire Size	Wheel Size (inches)
B100 Vans and Wagons	P195/75 R15 B (4PR) GBR	15 x 5.50
	P205/75 R15 B (4PR) GBR	15 x 5.50
	P225/75 R15 B (4PR) GBR	15 x 6.50
	P235/75 R15 B (4PR) GBR	15 x 6.50
	P235/75 R15 B (4PR) SBR	15 x 6.50
	P235/70 R15 B (4PR) SBR	15 x 6.50
B200 Vans and Wagons	P255/70 R15 B (4PR) SBR	15 x 7.00 (road wheels required)
	P225/75 R15 B (4PR) GBR	15 x 6.50
	P235/75 R15 B (4PR) GBR	15 x 6.50
	P235/75 R15 C (6PR) GBR	15 x 6.50 (1)
	P235/75 R15 B (4PR) SBR	15 x 6.50 (1)
B300 Vans and Wagons	P255/70 R15 B (4PR) SBR	15 x 7.00 (road wheels required)
	8.00 x 16.5-D (8PR) PBB	16.5 x 6.00
	(127.6" wb van only)	16.5 x 6.00
	8.00 x 16.5-E (10PR) PBB	16.5 x 6.00
	8.00R x 16.5-E (10PR) SBR	16.5 x 6.00
	8.75 x 16.5-E (10PR) PBB	16.5 x 6.75
8.75R x 16.5-E (10PR) SBR	16.5 x 6.75	
8.75R x 16.5-F (12PR) SBR (available Maxiwan only)	16.5 x 6.75 heavy-duty	

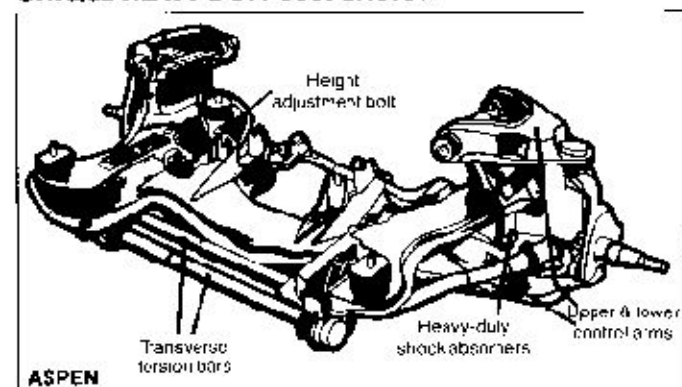
(1) 15 x 6.50 heavy-duty wheels on B200 Van models. PBB—Polyester bias-belted. GBR—Glass-belted radial. SBR—Steel-belted radial. PR—Ply rating.

# Dodge engineering excellence makes a

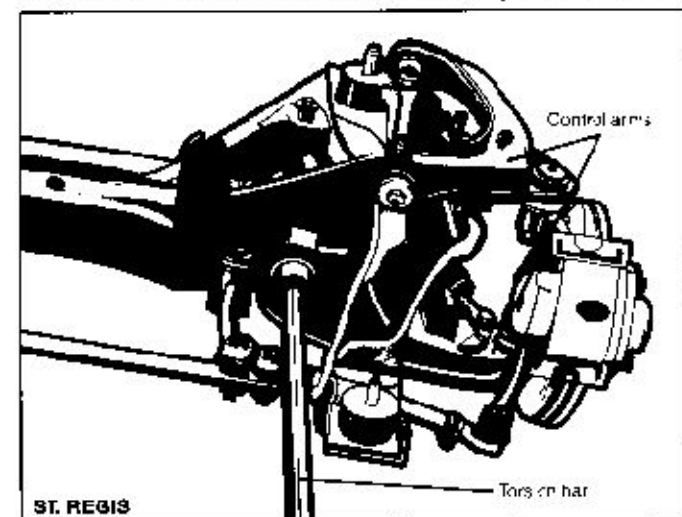
Through the years, Dodge and Chrysler Corporation have shared in a tradition of engineering excellence and leadership. Many automotive advances—such as hydraulic brakes, Safety-Rim wheels, alternator, electronic voltage regulator, electronic ignition and electronic spark control—owe their development to this engineering know-how.

And this same engineering expertise makes Dodge Police Pursuit cars the tough, dependable and durable vehicles they are.

## UNIQUE HEAVY-DUTY SUSPENSION

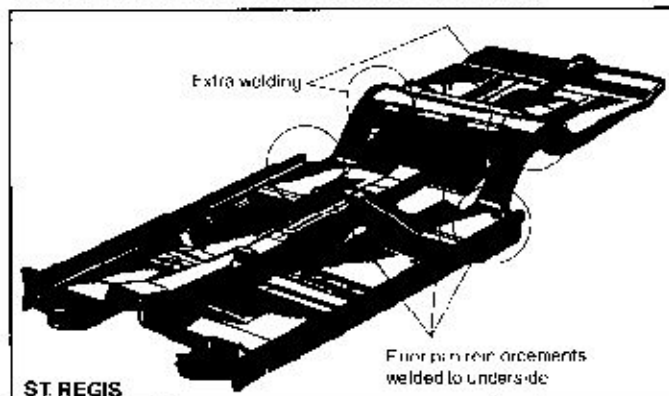


Aspen Pursuit cars have a unique transverse torsion-bar front suspension system and an so-camp multi-leaf rear spring suspension—all rubber-isolated from the car body. Heavy-duty bushings are used at the front struts, front sway bar push on brackets and rear spring front hangers for improved handling and durability. Heavy-duty shock absorbers and a front and rear antisway bar are standard on all police models. As a result, the ride is stable and smooth with excellent handling responsiveness.

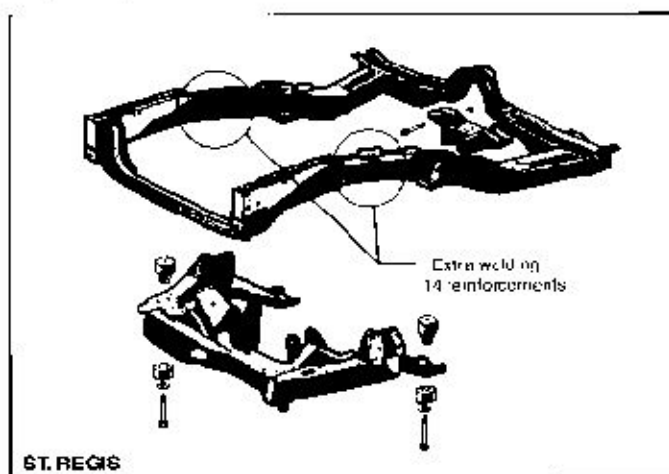


The St. Regis Police Pursuit also has torsion-bar front suspension—but the torsion bars run fore and aft. This suspension, coupled with multi-leaf rear springs, heavy-duty shock absorbers, and front and rear antisway bars, produces a ride that is firm and controlled for responsive action. The whole suspension system is rubber-isolated from the car body for extra cushioning. Heavy-duty bushings in the front control arms and rear spring front hangers have long-life expectancy.

## REINFORCED BODY AND CROSSMEMBERS



Body strength starts with a firm foundation. That's why St. Regis welds additional reinforcements to the underside of the body floor pan.



Fourteen welding reinforcements are also added to the front stub frame assembly. This gives added strength and rigidity to key structural areas.

Similar welds and reinforcements (not shown) are added to Aspen Police cars.

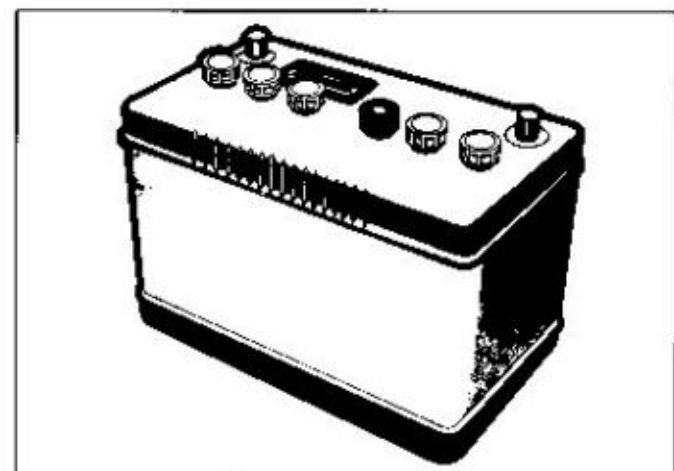
# difference in police vehicles!

## **GALVANIZED STEEL, ANTI-RUST TREATMENTS KEEP DODGE POLICE VEHICLES LOOKING BETTER**

Chrysler Corporation's corrosion protection is unsurpassed in the industry. It includes the use of galvanized sheet metal panels, one of the best known methods of corrosion protection.

Dodge uses galvanized steel in many critical body areas because it resists rust longer than ordinary steel. For example, galvanized steel is used for rear outer wheelhouses, body-side inner sills, door outer panels, quarter panels, front fenders and the rear floor pan extension on all St. Regis and Aspen models. Other selected components also use galvanized steel. Dodge vehicles also have galvanized steel in critical body areas.

In addition, St. Regis and Aspen models receive Chrysler Corporation's seven-step dip-and-spray anti-rust treatments. Dodge vehicles are protected by a six-stage anti-rust process.



## **500-AMPERE LONG-LIFE BATTERY**

This powerful battery—500-amperes (85-ampere-hour)—is standard on all Dodge Police Pursuit cars. Heavy-duty construction throughout the battery and a thermally insulated battery shield (Thermo-Guard) contribute to the reliability and long life of this battery.

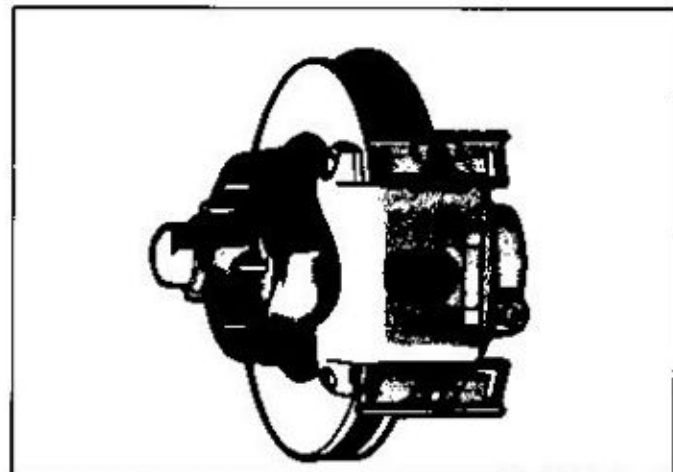
## **RELIABLE ELECTRONICS REQUIRE LESS MAINTENANCE**

### **Optional heavy-duty 100-ampere alternator.**

This alternator achieves higher amperage output by having more copper in the windings than do ordinary alternators. Special finned, nickel-plated copper heat sinks keep electronic diodes operating at proper temperatures even during high current output. Recommended for police cars with roof light bars or other heavy current-drawing emergency lighting equipment. A heavy-duty 65-ampere alternator is standard on the St. Regis and Aspen Pursuit models.

**Electronic voltage regulator**—standard on all Dodge Pursuits—is another electronic advance pioneered by Dodge. It replaced the electromechanical regulator and eliminated the mechanical circuit breakers which were subject to wear and failure. The electronic voltage regulator has no moving parts and requires no servicing.

**Electronic ignition**—standard on all Dodge Pursuit models—eliminates the distributor points and condenser and the periodic maintenance and eventual replacement they required. So engine tune-ups are greatly simplified—and maintenance costs are reduced.



## **HEAVY-DUTY POLICE BRAKES**

When the action is fast and furious, you can depend on Dodge's heavy-duty brakes for controlled slowdowns and stops in a St. Regis or Aspen Police Pursuit car.

Front disc brakes have semi-metallic brake pads for greater heat resistance and continued braking power during repeated brake applications. Big rear drum brakes—11 inches by 2.5 inches—balance out the heavy-duty brake system. Driver's braking effort is greatly reduced in St. Regis by a high-capacity, tandem diaphragm-type power booster; in Aspen, by a single-diaphragm power booster.

Braking safety is enhanced by a dual master brake cylinder that separates the front and rear hydraulic brake systems—if one system should become inoperative, the other will continue to function so the car can be stopped. Police Pursuits also have a front-to-rear proportioning valve for braking balance.

## **MORE SPECIAL FEATURES FOR DODGE POLICE PURSUITS**

**Firm-Feel power steering** is standard on all St. Regis Pursuit and Aspen Police vehicles. This special power steering has selected gears to minimize free play and has a special high-rate internal spring to provide a firm feel. An oil cooler for the power steering is standard on V-8 models.

**An engine coolant reserve system** guards against coolant loss that could result in overheating. A plastic reserve tank catches any overflow during hot operating conditions—then directs it back into the radiator when the system cools. The reserve tank is translucent to permit checking coolant level without removing the radiator cap. This system is standard on all Dodge Police cars.

**Hydraulic, impact-absorbing bumper system, front and rear**, is standard on all Dodge Police cars.

**Automatic high-pressure safety cutoff switch** is used on all Dodge Pursuit cars equipped with optional air conditioning. This switch protects the air-conditioning system against overload during long periods of engine idling.

# Police car engine features

The optional 5.9-liter (360 CID) four-barrel engine has the following features for longer life and better performance:

- Anti-turbulence windage tray between crankshaft and oil sump
- Crankshaft of select-hardness cast nodular iron
- Dual snorkel air cleaner on St. Regis
- Double roller timing chain
- Forged connecting rods
- Heavy chrome-plated oil rings
- Heavy-duty valve springs
- High-strength rocker arms
- High-temperature valve seals and shields
- Lubrite-treated camshaft
- Molybdenum-filled top rings
- Nimonic exhaust valves
- Special Stellite-1 high-temperature steel intake valves
- Water pump with larger bearing

The optional 5.2-liter (318 CID) two-barrel and four-barrel heavy-duty engines have the following features for longer life and better oil economy at high mileage:

- Double roller timing chain
- High-temperature valve seals and shields

The 3.7-liter (225 CID) one-barrel heavy-duty engine has molybdenum-filled top rings for better oil economy at high mileage.



3.7 liter (225 CID) one-bbl Slant Six



5.9-liter (360 CID) four-bbl V-8



5.2-liter (318 CID) four-bbl V-8

## Car engines

### ENGINES WITH FEDERAL EMISSIONS CONTROL PACKAGE

Code	Engine and Carburetor	Net Torque (ft-lb)	Net Horsepower	Models with A38 Pkg.	
				Aspen	St. Regis
E25	3.7-liter (225 CID) 1-bbl Slant Six	160 @ 1,600 rpm	90 @ 3,600 rpm	X	NA
E45	5.2-liter (318 CID) 2-bbl V-8	245 @ 1,600 rpm	120 @ 3,600 rpm	X	X
E58 <sup>(1)</sup>	5.9-liter (360 CID) 4-bbl V-8	275 @ 2,000 rpm	185 @ 4,000 rpm	X	X

### ENGINES WITH CALIFORNIA EMISSIONS CONTROL PACKAGE

Code	Engine and Carburetor	Net Torque (ft-lb)	Net Horsepower	Models with A38 Pkg.	
				Aspen	St. Regis
E25	3.7-liter (225 CID) 1-bbl Slant Six	160 @ 1,600 rpm	90 @ 3,600 rpm	X	NA
E47 <sup>(2)</sup>	5.2-liter (318 CID) 4-bbl V-8	240 @ 2,000 rpm	155 @ 4,000 rpm	X	X

X - Engine is available with A38 Package. NA - Engine is not available. (1) E58 includes dual exhaust with single large tailpipe on Aspen; dual exhausts with dual tailpipes on St. Regis. (2) E47 also available in other states. NOTE: All engines have catalytic converters and require unleaded fuel. All engines have heavy-duty features and matching torque-life transmissions.

## Dodge Sportsman and Van engines

### ENGINES WITH FEDERAL EMISSIONS CONTROL PACKAGE

Code	Engine and Carburetor	Net Torque (ft-lb)	Net Horsepower
EA3	3.7-liter (225 CID) 1-bbl Slant Six	170 @ 1,600 rpm	95 @ 3,600 rpm
EC1	5.2-liter (318 CID) 2-bbl V-8	240 @ 2,000 rpm — manual 240 @ 2,400 rpm — auto.	135 @ 4,000 rpm — manual 140 @ 4,000 rpm — auto.
EC5	5.9-liter (360 CID) 4-bbl V-8	270 @ 2,000 rpm	170 @ 4,000 rpm

### ENGINES WITH CALIFORNIA EMISSIONS CONTROL PACKAGE

Code	Engine and Carburetor	Net Torque (ft-lb)	Net Horsepower
*EA3	3.7-liter (225 CID) 1-bbl Slant Six	150 @ 2,000 rpm	90 @ 3,600 rpm
EC2	5.2-liter (318 CID) 4-bbl V-8	245 @ 2,000 rpm	160 @ 4,000 rpm
EC5	5.9-liter (360 CID) 4-bbl V-8	270 @ 2,000 rpm	170 @ 4,000 rpm

\* 3.7-liter engine available on B200 van only except Maxivan in California.

# 1980 Dodge Police Vehicle Dimensions

## CARS

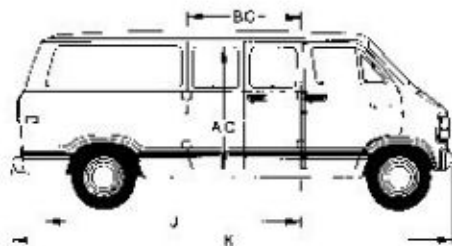
Aspen	Aspen Sedan
Wheelbase .....	112.7"
Overall length .....	204.3"
Overall width .....	72.4"
Headroom, front .....	39.3"
rear .....	37.7"
Legroom, front .....	42.7"
rear .....	37.8"
Shoulder-room, front .....	55.8"
rear .....	55.6"

St. Regis	St. Regis Pillared Hardtop Sedan
Wheelbase .....	118.5"
Overall length .....	220.2"
Overall width .....	77.6"
Headroom, front .....	38.2"
rear .....	37.4"
Legroom, front .....	42.3"
rear .....	38.3"
Shoulder-room, front .....	61.0"
rear .....	61.0"

NOTE: Interior dimensions shown are for standard passenger car trim. Front headroom shown is at gently sloped with the Police Pursuit Package due to the heavy-duty front seal construction.

## DODGE VAN AND SPORTSMAN WAGON

	109.6" wb	127.6" wb	127.6" wb Maxiwagon
A — Hinged double door opening — side door height .....	47.2"	47.2"	47.2"
B — Hinged double door opening — side door width .....	49.3"	49.3"	49.3"
C — Sliding side door opening — width .....	39.8"	39.8"	39.8"
— height .....	47.2"	47.2"	47.2"
D — Door opening — hinged rear double door height .....	47.2"	47.2"	47.2"
E — Door opening — hinged rear double door width .....	49.3"	49.3"	49.3"
F — Single rear door opening — height .....	47.2"	47.2"	47.2"
— width .....	49.3"	49.3"	49.3"
— degree of opening .....	90°	90°	90°
G — Floor width, maximum .....	70.4"	70.4"	70.4"
H — Width between wheelhouses .....	50.0"	50.0"	50.0"
I — Height — maximum passenger area .....	53.2"	53.2"	53.2"
J — Length — rear door to driver's seatback .....	92.9"	110.9"	136.9"
K — Overall exterior length .....	178.9"	196.9"	222.9"
L — Overall exterior width .....	79.8"	79.8"	79.8"
Maximum width inside .....	72.2"	72.2"	72.2"



## BID INFORMATION

For information on the Dodge Pursuit Packages, it will be necessary to submit bid invitation, opening date, number of units, special conditions and complete specifications, including delivery requirements, to the Fleet Division, Chrysler Corporation, Special Bid Group, P.O. Box 700, Center Line, Michigan 48015.

Bid information concerning Dodge Vans and Sportsman Wagons for police use should be directed to the Truck Bid Department, Chrysler Corporation, P.O. Box 644, Detroit, Michigan 48288.

MOPAR parts are engineered by Chrysler Corporation for use in your new Dodge. When replacement is necessary be sure to specify MOPAR parts—used by professional mechanics all over the world.



Chrysler Corporation reserves the right to make changes at any time without notice or obligation, in prices, colors, materials, equipment, or specifications and to change or discontinue models. Check your dealer for complete current information.



A PRODUCT OF CHRYSLER CORPORATION

