

05 F-150



UNDISPUTED CHAMPION

Ford F-Series reigns supreme. This F-150 has fulfilled its legacy and raised the bar even higher. It's a great truck; engineered and Built Ford Tough to do what trucks were meant to do — work, tow, haul, climb and carry. Its leadership starts with best-in-class payload and towing and goes on through a list of bests, exclusives and firsts that seems endless. On top of that, it brought home a list of awards that's a who's who in automotive circles. All that is flattering, but we're proudest of what this truck does day after day, year after year: work for you. F-Series has been doing it for over half a century, and for the last 27 years in a row it has been the best-selling full-size pickup. If that isn't leadership, what is?



2005 Ford F-150

Functional Strengths

F-150 Leadership
Strongest Frame and Suspension Innovations
Power and Safety

03

XL

High Standards
Work Truck Value

11

STX

Bold Performer
Wheels, Tunes, Style

13

XLT

Complete Capabilities
Selection, Performance, Features

15

FX4

Legendary Toughness
Power, Agility, Attitude

17

Lariat

Resolute Leader
Innovation, Advancement, Superiority

21

King Ranch

Legendary Branding
Exclusive Features

23

Specifications

Model Highlights
Standard and Available Features
Capabilities

25



F-150 King Ranch _ Dark Copper/Arizona Beige Metallic Two-Tone

> EXPECT MORE

You can measure a truck's capability in numbers, but there's even more to the story. It's about a commitment to being the best. Thoroughly understanding your truck needs, and not just meeting them, but exceeding them... year after year. It's pride in knowing that you've gone beyond the expected and achieved excellence. That's Built Ford Tough. That's Ford F-150.

> FIRST

- The first-and-only 4-door Regular Cab pickup
- The first-and-only pickup to feature 4 doors in each of 3 cabs (Regular, SuperCab and SuperCrew) for ease of access
- The first-and-only full-size pickup to employ 3-valve engine technology (5.4L Triton™ V8), to optimize horsepower and low-end torque
- The first wheel-torque-based Electronic Throttle Control in a full-size pickup to help deliver smooth, consistent engine response
- The only outboard-mounted rear shock absorbers in a full-size pickup for excellent performance on- and off-road
- The first-and-only full-size pickup with cast-aluminum lower control arms on a double-wishbone, coil-over-shock front suspension
- The first-and-only pickup with Tailgate Assist™ to make opening and closing easier
- National Highway Traffic Safety Administration's 5-Star rating - 2004 driver and right-front-passenger frontal crash categories
- The first-and-only pickup to feature the Ford Personal Safety System™ including occupant classification sensing
- The first-and-only overhead modular rail system available in a pickup, allowing customized interior storage options
- The first-and-only pickup with 2nd-row power windows in a SuperCab
- The first available flow-through center console with floor shifter in a full-size pickup
- The first-and-only full-size pickup to offer a 5.5' box on a SuperCab for improved garageability

> BEST

- Best-selling pickups - F-Series has been the best-selling line of full-size pickups for 27 years straight
- Best-in-class* towing capacity
- Best-in-class payload
- Unsurpassed low-end torque
- Best Pick in frontal offset crash testing performed by the Insurance Institute for Highway Safety
- Quietest full-size pickup interior
- Best-in-class cargo box volume
- Best selection of available body, trim and pickup box configurations
- Best-in-class interior volume in Regular and SuperCab

*Based on properly equipped full-size pickups under 8500 lbs. GVWR and priced below \$45,000.

> ALWAYS



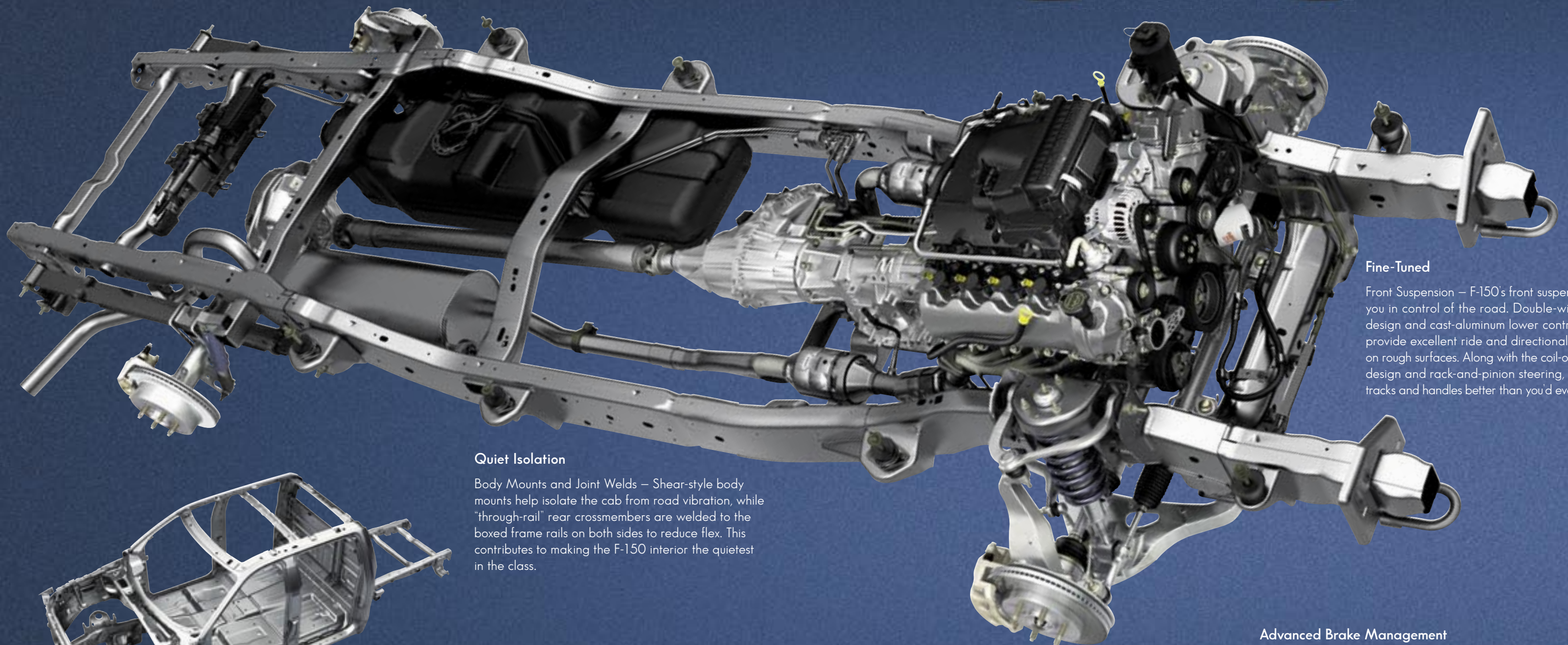
OUR REPUTATION STANDS ON IT

When you've got the weight of being the best-selling pickup 27 years in a row riding on your shoulders, you'd better have something strong to stand on. That's why Ford F-150 is built on the strongest frame in the class. Add to that, innovative and exclusive front and rear suspension engineering and cab-insulating body mounts. What you have now are the makings of one tough truck. A Built Ford Tough F-150. It can handle the pressure. No sweat.



Exclusive Shock Treatment

Outboard-Mounted Rear Shocks – Another engineering design innovation, F-150's outboard shock system contributes to extraordinary ride, comfort and handling control, especially on uneven surfaces.



Fine-Tuned

Front Suspension – F-150's front suspension puts you in control of the road. Double-wishbone design and cast-aluminum lower control arms provide excellent ride and directional control on rough surfaces. Along with the coil-over-shock design and rack-and-pinion steering, this truck tracks and handles better than you'd ever expect.

Quiet Isolation

Body Mounts and Joint Welds – Shear-style body mounts help isolate the cab from road vibration, while "through-rail" rear crossmembers are welded to the boxed frame rails on both sides to reduce flex. This contributes to making the F-150 interior the quietest in the class.

Exceptional Rigidity

Fully Boxed Frame – F-150's overall frame and body structure is extremely rigid. This frame design helps support exceptional ride, handling and capability. Its torsional stiffness minimizes shake and shudder.

Molded-In Strength

Hydroformed Front Rails – Consistent, rigid and thick, F-150's front rails help create its strongest frame ever. Out front of these are stamped-steel "horns" that help manage crash forces.

Advanced Brake Management

Standard 4-Wheel ABS Disc Brakes – With high-friction, semi-metallic brake-lining material, F-150's brakes provide smooth control and precise stopping power. Standard Electronic Brake Force Distribution (EBD) manages the rear brakes to ensure maximum capability under heavy load conditions.

COMPLETE POWER SYSTEMS

Power and performance are absolute necessities in trucks and F-150 exceeds the need. It starts with a choice of engine capabilities: the efficient 4.2L V6, the powerful 4.6L Triton™ V8, or the innovative 5.4L 3-valve Triton V8 with unsurpassed low-end torque. But that's just part of the full power story. We optimize F-150's response and output through total system management, from standard Electronic Throttle Control to careful transmission-pairing and axle-ratio choices that deliver the force to the wheels. How you use it is up to you.



Advanced Torque Management

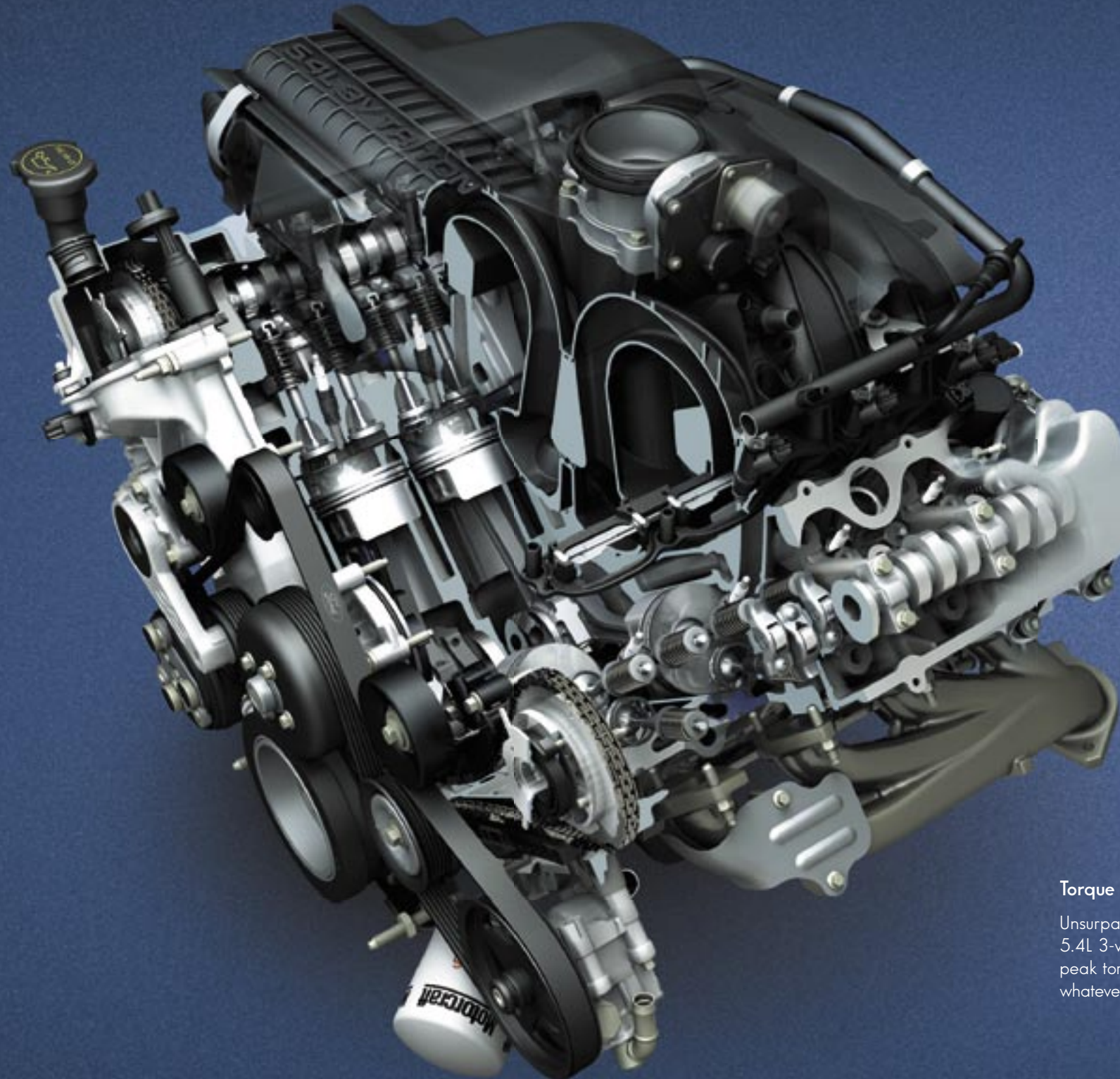
Electronic Throttle Control – Standard on all F-150 engines, this fighter-jet technology uses accelerator inputs to actively modulate torque at the drive wheels. The result is smooth, seamless engine response.



V6 Power

NEW 4.2L V6 Engine – The V6 engine delivers efficient capability and performance. Available with a 4-speed automatic or 5-speed manual transmission.*

*Late availability.



Efficient Technology

3-Valve Variable Cam Timing – The available 5.4L Triton V8 engine delivers unsurpassed low-end torque by employing 2 intake valves and 1 exhaust valve per cylinder to maximize performance according to engine speed and load size.

Torque Where You Need It

Unsurpassed Low-End Torque – The available 5.4L 3-valve Triton V8 achieves over 80% of peak torque at 1000 rpm. That gets you and whatever you're haulin' haulin'.



F-150 Receives Highest Safety Ratings

Ford takes your safety very seriously, and F-150 with our Personal Safety System™ is a reflection of that commitment. It's the first full-size pickup to receive a Best Pick in frontal offset crash testing performed by the Insurance Institute for Highway Safety. The Ford F-150 also earned the National Highway Traffic Safety Administration's top rating of 5 Stars for both the driver and right-front passenger in the 2004 frontal crash category. Facts you can feel good about whenever you get in your truck.



Shown on a closed course with a professional driver demonstrating the off-road abilities that exemplify F-150 FX4 toughness and capability.

HERE'S YOUR WORK PERMIT

From sunup to sundown, you set a mean pace. And Ford F-150 XL is with you, stride for stride. The standard 4.2L V6 with an available 4-speed automatic or 5-speed manual transmission* provides ample capability and performance. Got bigger jobs? Add the available 4.6L Triton™ V8 or even the 5.4L Triton 3-valve V8 with unsurpassed low-end torque, and upgrade to best-in-class payload AND towing capacity with the Heavy Duty Payload Package option. Rise and shine. *Late availability.



F-150 XL Regular Cab _ Aspen Green Metallic



Room To Work

Exclusive 4-Door Regular Cab and Best-in-Class Interior Volume – You need your space, and F-150 XL provides it. Best-in-class Regular Cab and SuperCab interior volume lets you spread out. Regular Cab serves up over 17 cu. ft. of secure storage behind the seat to help keep things organized.



Thirsty?

Extra Cupholders – The last place you want to hunt for a thirst quencher is under the seat. That's why F-150 XL comes with plenty of cupholders. 2 are even big enough to hold 20-oz. bottles. Ahhh.



We've Got Closure

Exclusive Tailgate Assist™ – The largest boxes need a great gate, and it should be easy to open and close. That's why we invented and patented the Tailgate Assist with a built-in torsion bar that makes closing this rugged stamped-steel gate easy and secure.

The Nitty Gritty

Work Truck Group – New for 2005, this XL-specific package is all business. It includes a vinyl 40/20/40 split front seat and argent-colored front and rear bumpers. A good, honest tool, and proud of it.

F-150 XL SuperCab, Work Truck Group _ Silver Metallic



MAKE A BOLD ENTRANCE

Admit it. You love to turn heads. And no other pickup truck gets people rubbernecking like the Ford F-150 STX. Its body-color grille surround and bumpers give STX a stand-out-in-a-crowd appearance. Its bold 17" cast-aluminum wheels grab attention and don't let go. And the available AM/FM stereo/6-disc in-dash CD changer with MP3 capability and subwoofer ensures that you are heard... loud and clear. People will take notice.



6-Passenger Comfort

Spacious SuperCab – The F-150 SuperCab offers best-in-class interior space for up to 6 occupants. Stretch out and relax.

Set Your Speed

Steering-Wheel Control – STX offers the comfort of its standard tilt steering wheel, and the convenience of available steering-wheel-mounted speed controls.



Well-Prepared

17" Wheels – Going out tonight? You'll look great cruisin' in available 17" chrome-clad steel wheels wrapped with either all-season OWL tires on 4x2 or gnarly all-terrains on 4x4.



All Night Long

CD Player – STX's available Audiophile Sound System includes an AM/FM stereo with a 6-disc in-dash CD changer, subwoofer and speed-compensated volume control. That's certainly enough entertainment to keep you rockin' all night long.



STX

F-150 STX SuperCab Flareside _ Bright Red
available tubular running boards

CONSIDER IT DONE

You need a versatile, full-size pickup to finish your "to-do" list. That's why F-150 XLT is available with every cab size, body style, box size and engine option, and in 4x4 or 4x2. From the best-in-class interior volume Regular Cab and SuperCab to the spacious SuperCrew, XLT accommodates you. There are loads of amenities, too. Premium cloth seats, autolamp, outside temperature gauge/compass and remote keyless entry are standard. Combine that with the available Heavy Duty Payload Package, and you've got the most capable truck. Period.



F-150
XLT TRITON

F-150 XLT SuperCrew _ Dark Toreador Red Metallic
available power moonroof



Head And Shoulders Above The Crowd

First Overhead Storage System – F-150 introduced this available system to keep your essentials accessible and organized. Arrange it to serve your needs. The Overhead Storage System includes 2 stationary light clusters and a large storage bin. Additional modules, inserts and utility items can be purchased through your Ford Dealer. See page 31.



Power To The People

2nd-Row Windows – Isn't it about time the backseat folks got a little respect? We thought so too. XLT's standard 2nd-row power windows on SuperCab are a segment first.



We've Got Your Back

Reverse Sensing System – For those moments when you don't have a spotter on the lookout for what's behind you, this available feature can save the day.



Command Position

Premium Cloth Captain's Chairs – XLT's available seating with manual lumbar support puts you in full command of the helm, and surrounds you with comfort and convenience.

BATTLE TESTED

Whatever terrain you decide to conquer today, Ford F-150 FX4 is ready to follow orders. Standard 5.4L Triton™ V8 power puts 300 horses in your battalion. Electronic Shift-On-the-Fly 4x4 quickly deploys to overcome obstacles. Available 18" machined cast-aluminum wheels are ready to march. And specially tuned off-road shocks, 3"-wide rear leaf springs, a limited-slip rear axle and large 4-wheel disc brakes with standard ABS help make this the most well-prepared F-150. FX4 stands at the ready. Just give the order.



FX4
OFF ROAD

F-150 FX4 SuperCab _ Bright Red/Dark Shadow Grey Metallic Two-Tone
available 18" machined cast-aluminum wheels



When The Goin' Gets Tough

4-Low Electronic Throttle Control – Sometimes you really need to dig in. F-150 4x4s incorporate a dedicated low-range calibration for maximum control of torque on rough surfaces.



Today's Forecast: Mostly Muddy

Shift-On-the-Fly 4x4 – You may not be able to predict the weather, but with the standard dash-mounted Electronic Shift-On-the-Fly 4x4, you can adapt and overcome it. Simply engage 4x4 HIGH and march on. Some situations call for lower gearing. To engage 4x4 LOW: stop, engage, and claw right through it.

The Armory

Skid Plates – When you head off-road, you expect to take some hits. F-150 FX4 is prepared to get in and out of the trenches.



MISSION CONTROL

Welcome to headquarters. One look around the capsule reveals its purposeful potential. Precise gauges, warm-steel accents and carbon-fiber center trim have a resilient finish. Black rubber off-road floor mats are built for wear and tear. And you can almost see muscles bulge under the available leather-trimmed dual captain's chairs. That's all in addition to F-150 having the quietest interior in its class. So no matter how fierce things get outside, HQ is calm, cool and collected.

Ready For Takeoff

FX4 Instrument Gauges – FX4's aviation-inspired instrumentation cluster provides a bold, clean view of vital vehicle information.



The Sky's The Limit

Power Moonroof – Whether operations are day or night, FX4's power moonroof with sliding shade opens wide to the world. Available on SuperCab and SuperCrew.



Adjust Your Controls

Power-Adjustable Pedals – This available feature includes a dash-mounted control button that allows you to adjust the brake and accelerator pedals up to 3" to help you achieve a favorable navigating position.



Rugged, Open Landscape

FX4 Interior – Now here's some terrain you'll really appreciate. The F-150 FX4 interior features a durable sport cloth 40/20/40 split front seat (above), or available leather-trimmed captain's chairs with flow-through center console (right).



FX4 _ Black Leather-Trimmed Captain's Chairs with flow-through center console option

STRONG SILENT TYPE

On top of F-150 Lariat's Built Ford Tough engineering capabilities, you'll find extraordinary personality. From the refined engineering to the well-crafted interior, its design exudes a quiet confidence. A chromed grille surround and 18" aluminum wheels help define its unmistakable appearance. Standard amenities like leather-trimmed front seats, a leather-wrapped steering wheel, Electronic Automatic Temperature Control, a message center with trip computer, rear privacy window with defroster and power, heated sideview mirrors certify its reputation.



F-150
LARIAT 5.4 TRITON

Lariat SuperCrew _ Medium Wedgewood Blue/Arizona Beige Metallic Two-Tone

Take The Show On The Road

Rear-Seat DVD Entertainment System – Press play on one of the many possibilities of F-150 Lariat SuperCrew. This available system is wired-in to the overhead rail system and includes a full-color 7" LCD screen, wireless remote, 2 wireless headphones and A/V jacks to connect gaming systems or other electronic equipment.



A Warm Reception

Deluxe Heated Seats Package – Available on Lariat, this package includes heated driver and right-front passenger seats, power passenger seat, memory driver's seat and memory power-adjustable pedals (required). Treat yourself to a nice, warm seat.



Intelligence Sharing

Instrumentation – Lariat's well-designed instrument cluster also features a message center that informs you of your vehicle's system operations. The standard tilt steering wheel includes speed control, and remote audio and climate controls. Lariat puts command and control at your fingertips.



First-Class Seating

Standard Leather – Lariat is distinguished by its leather-trimmed seats, elegant woodgrain-appearance trim, and chrome accents wrapped around all the bells and whistles. And available captain's chairs with a flow-through center console and floor shifter can be added for maximum driver comfort and convenience.

A MIGHTY STEED

There's a new stallion in the Ford F-150 stable – King Ranch. It's endowed with all the luxurious comfort and convenience of a Lariat, with some added distinctions that set it apart from the herd. Everywhere you look on F-150 King Ranch, you'll find its unmistakable branding: tailgate and fender badges, unique 18" King Ranch wheels, unique exterior colors, unique woodgrain-style trim, and King Ranch floor mats. Inside, Castaño leather generously accents just about everything. Saddle up and ride with Ford F-150 King Ranch.



Custom Boots

King Ranch Aluminum Wheels – Unique King Ranch brand-embossed 18" 7-spoke cast-aluminum wheels feature Arizona Beige accents.



Dedicated Entrance

Arizona Beige Platform Running Boards – Exclusive to King Ranch, these side steps are large for easy entry and exit, and are illuminated by puddle lamps in the sideview mirrors.



Do-It-All Mirrors

Power-Folding, Lighted Sideview Mirrors – These unique power-folding mirrors do a lot more than reflect. They signal turns, heat up to avoid frost, shine a light to the ground, and fold away to avoid obstacles.



A Magnificent Vista

Instrument Panel – The unique King Ranch appearance is a sight to behold with woodgrain-appearance trim on the dash and a Castaño leather-wrapped two-tone steering wheel.

A Whole Herd Of Horses

5.4L 3-Valve Triton™ V8 – Come to where the horses are plentiful and spirited. F-150 King Ranch runs with the 5.4L 3-valve Triton V8 engine standard. That's 300 horses @ 5000 rpm following your lead.



F-150 King Ranch _ Castaño Leather Trim

> SPECIFICATIONS

MODEL HIGHLIGHTS Each series includes the standard equipment of the previous series, except where additions/exceptions are noted.



XL

Chrome front and rear step bumpers • Black grille surround, bar-style grille and front bumper upper fascia • Manual sideview mirrors • 17" steel wheels • Solar-tinted glass with fixed rear window • Covered visor vanity mirrors • Air conditioning • Black vinyl floor covering • Cloth 40/20/40 split front seat • Manual driver lumbar • Black urethane steering wheel



STX

Body-color front and rear step bumpers • Body-color grille surround and upper fascia • AM/FM stereo with single-CD player • 17" cast-aluminum wheels • Front-seat center armrest with storage bin and cupholders (available Flareside model shown)



XLT

Chrome front and rear step bumpers • Black honeycomb-style grille • Remote keyless entry system • Power sideview mirrors • Power accessory delay • Color-coordinated carpet and floor mats • Tachometer • Speed control • Color-coordinated steering wheel • Power windows, including 2nd-row on SuperCab and SuperCrew • Outside temperature and compass display • Premium cloth 40/20/40 split front seat with driver and right-front-passenger manual lumbar • 17" chrome-clad steel wheels • Autolamp



FX4

FX4 Off-Road decals • Color-coordinated front and rear step bumpers • Black bar-style grille • Dark grey wheel-lip moldings • Black leather-wrapped steering wheel • Black rubber Off-Road floor mats • Sport cloth 40/20/40 split front seat with driver and right-front-passenger manual lumbar • 17" machined-aluminum wheels • Electronic Shift-On-the-Fly • Limited-slip rear axle • Off-road tuned shocks • Skid plates – 2 steel (front crossmember and transfer case), 1 composite (fuel tank)



Lariat

Chrome front and rear step bumpers (with monotone paint) • Arizona Beige front and rear step bumpers (with two-tone paint) • Arizona Beige honeycomb-style grille • Color-coordinated wheel-lip moldings • Power, heated sideview mirrors with integrated turn signals • 18" bright aluminum wheels • Illuminated, covered visor vanity mirrors • Electronic Automatic Temperature Control • Rear-window defroster • Carpeted floor mats • Message center • Color-coordinated leather-wrapped steering wheel with additional audio and climate controls • Power driver's seat • Leather-trimmed seats • Auto-dimming rearview mirror



STANDARD FEATURES

Mechanical

4-wheel power disc brakes with Anti-lock Brake System (ABS)
100,000-mile tune-up interval*
Electronic Brake Force Distribution (EBD)
Fail-safe engine cooling system
Gas-pressurized shock absorbers
Hood open assist mechanisms
Lightweight aluminum hood
Maintenance-free 58-amp.-hr., 540-CCA battery with battery saver
Power rack-and-pinion steering
Spare tire with wheel lock
Stabilizer bar – Front
Stainless steel exhaust system (major components)
Suspension – Front: long-spindle, double-wishbone coil-over-shock
Trailer tow – 4-pin connector

Safety/Security

Personal Safety System™ for driver and right-front passenger – With dual-stage airbags,** safety belt pretensioners, energy-management retractors, safety belt usage sensors, driver's-seat position sensor, crash severity sensor, right-front-passenger-seat occupant classification sensor and restraint control module
Alert chimes – Headlamps-on, key-in-ignition, safety belt
Belt-Minder® safety belt reminder – Driver and right-front passenger
Brake/shift interlock
Fuel pump inertia shutoff switch
LATCH – Lower anchors and tether anchors for child-safety seats
SecuriLock® passive anti-theft system
Side-impact door beams

Interior

Air conditioning†
Assist/grab handles – Driver and right-front passenger
Coat hooks – 2
Cupholders – Front, 2 on instrument panel (n/a with mechanical shift-on-the-fly) and 1 in each front-door map pocket
Front dome/map lights
Front-door map pockets
Fuel gauge, voltmeter, oil pressure, engine coolant temperature, speedometer and odometer
Glove compartment
Horn – Dual note
Power points – Front (all models), rear (in SuperCab and SuperCrew models)
Tilt steering wheel

Exterior

Cargo box light – Integrated into center high-mounted stop lamp
Cargo box tie-downs – 4
Headlamps – Aerodynamic clear-lens quad-beam halogen
Stake-bed pockets (n/a with Flareside or 5.5' box)
Tailgate – Removable with key lock and Tailgate Assist™
Windshield wipers – Interval

*Under normal driving conditions with routine fluid and filter changes.
**Always wear your safety belt and always secure children in the rear seat with SuperCab and SuperCrew models.
†Optional with Regular Cab Work Truck Group.

PAYLOAD PACKAGES

F-150 PAYLOAD PACKAGE SELECTOR – Styleside

REGULAR CAB 4x2 STYLESIDE			
Wheelbase (in.)	Engine	Max. Payload (lbs.)	GVWR (lbs.)
126	4.2L	1830*	6500
	4.6L	1890	6650
	5.4L	1790	6650
144.5	4.2L	1850*	6650
	4.6L	1910	6800
	5.4L	2050	7050
	5.4L	3020	8200**

*With manual transmission (late availability).

SUPERCAB 4x2 STYLESIDE			
Wheelbase (in.)	Engine	Max. Payload (lbs.)	GVWR (lbs.)
133	4.6L	1620	6650
	5.4L	1740	6950
144.5	4.6L	1580	6700
	5.4L	1820	7050
163	5.4L	2640	8200**

SUPERCREW 4x2 STYLESIDE			
Wheelbase (in.)	Engine	Max. Payload (lbs.)	GVWR (lbs.)
139	4.6L	1570	6800
	5.4L	1710	7050

REGULAR CAB 4x4 STYLESIDE			
Wheelbase (in.)	Engine	Max. Payload (lbs.)	GVWR (lbs.)
126	4.6L	1740	6800
	5.4L	1680	6850
144.5	4.6L	1760	6950
	5.4L	1650	6950
	5.4L	2670	8200**

SUPERCAB 4x4 STYLESIDE			
Wheelbase (in.)	Engine	Max. Payload (lbs.)	GVWR (lbs.)
133	4.6L	1570	6900
	5.4L	1640	7150
144.5	4.6L	1530	6950
	5.4L	1670	7200
163	5.4L	2290	8200**

SUPERCREW 4x4			
Wheelbase (in.)	Engine	Max. Payload (lbs.)	GVWR (lbs.)
139	4.6L	1360	6900
	5.4L	1560	7200

**Requires Heavy Duty Payload Package.

F-150 PAYLOAD PACKAGE SELECTOR – Flareside

REGULAR CAB 4x2 FLARESIDE			
Wheelbase (in.)	Engine	Max. Payload (lbs.)	GVWR (lbs.)
126	4.2L	1810	6500
	4.6L	1870	6650
	5.4L	1770	6650

SUPERCAB 4x2 FLARESIDE			
Wheelbase (in.)	Engine	Max. Payload (lbs.)	GVWR (lbs.)
144.5	4.6L	1560	6700
	5.4L	1800	7050

REGULAR CAB 4x4 FLARESIDE			
Wheelbase (in.)	Engine	Max. Payload (lbs.)	GVWR (lbs.)
126	4.6L	1720	6800
	5.4L	1660	6850

SUPERCAB 4x4 FLARESIDE			
Wheelbase (in.)	Engine	Max. Payload (lbs.)	GVWR (lbs.)
144.5	4.6L	1510	6950
	5.4L	1650	7200

Note: Flareside Payload/GVWR figures are listed ONLY if they differ from Styleside figures with the same configurations. ALL figures are subject to change.

MAXIMUM PAYLOAD



REGULAR CAB STYLESIDE 4x2 – 3020 lbs.
REGULAR CAB FLARESIDE 4x2 – 1870 lbs.

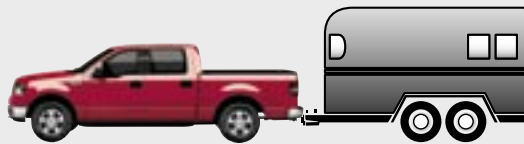


SUPERCAB STYLESIDE 4x2 – 2640 lbs.
SUPERCAB FLARESIDE 4x2 – 1800 lbs.



SUPERCREW STYLESIDE 4x2 – 1710 lbs.

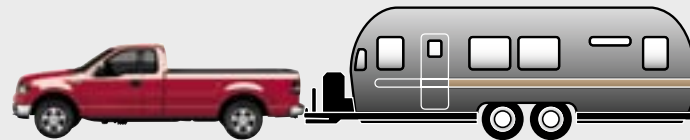
MAXIMUM TOWING



SUPERCREW 4x2 – 9500 lbs.
SUPERCREW 4x4 – 9200 lbs.



SUPERCAB 4x2 – 9500 lbs.
SUPERCAB 4x4 – 9300 lbs.



REGULAR CAB 4x2 – 9900 lbs.
REGULAR CAB 4x4 – 9500 lbs.

ENGINES



Engine	Transmission	Horsepower (hp @ rpm)	Torque (lb.-ft. @ rpm)
4.2L EFI V6	5-speed man. [†] O/D	202 @ 4350	260 @ 3750
	4-speed auto. O/D	202 @ 4350	260 @ 3750
4.6L Triton™ V8	4-speed auto. O/D	231 @ 4750	293 @ 3500
5.4L 3-valve Triton V8	4-speed auto. O/D	300 @ 5000	365 @ 3750

[†]Late availability.

AXLE AVAILABILITY

F-150 AXLE SELECTOR

Cab	Engine	Series/Pkg.	Drivetrain	Tires	Non-Limited-Slip Rear Axle			Limited-Slip Rear Axle			
					3.31	3.55	3.73	4.10	3.55	3.73	4.10
Regular or SuperCab	4.6L	XL, XLT	4x2	P235/70R17 A/S BSW	—	●	○	—	○	○	—
Regular or SuperCab	5.4L	XL, XLT	4x2	P235/70R17 A/S BSW	●	●	○	—	○	○	—
Regular or SuperCab	Any	XL, XLT	4x4	P235/75R17 A/T BSW	—	●	○	—	○	○	—
Regular Cab	4.2L ^{††}	XL, XLT	4x2	P235/70R17 A/S BSW	●	○	●	—	○	●	—
All	4.6L	XL, STX, XLT	4x2	P255/65R17 A/S OWL	—	●	○	—	○	○	—
All	5.4L	XL, XLT	4x2	P255/65R17 A/S OWL	●	●	○	—	○	○	—
All	4.6L	XL, STX, XLT	4x4	P255/70R17 A/T OWL	—	●	●	—	●	○	—
All	5.4L	XL, XLT	4x4	P255/70R17 A/T OWL	—	●	○	—	○	○	—
All	5.4L	FX4	4x4	P255/70R17 A/T OWL	—	—	—	—	●	○	—
Regular Cab	4.2L ^{††}	XL, XLT	4x2	P255/65R17 A/S OWL	●	○	●	—	○	●	—
Regular Cab	4.2L	STX	4x2	P255/65R17 A/S OWL	—	●	●	—	—	●	—
SuperCab or SuperCrew	5.4L	Lariat	4x2	P265/60R18 A/S OWL	—	●	○	—	○	○	—
All	5.4L	FX4	4x4	P275/65R18 A/T OWL	—	—	—	—	—	●	—
SuperCab or SuperCrew	5.4L	Lariat	4x4	P275/65R18 A/T OWL	—	—	●	—	—	○	—
Regular or SuperCab	5.4L	Payload Pkg.	4x2/4x4	LT245/70R17D A/T BSW	—	—	—	●	—	—	○
All	5.4L	FX4	4x4	LT275/65R18 A/T OWL	—	—	—	—	—	●	—
SuperCab or SuperCrew	5.4L	Lariat	4x4	LT275/65R18 A/T OWL	—	—	●	—	—	○	—

● Standard ● Select Availability ○ Optional — Not Available

^{††}3.55 axle or higher required with automatic transmission.

MAXIMUM TOWING CAPABILITIES

CONVENTIONAL TOWING

Maximum Loaded Trailer Weight (lbs.)

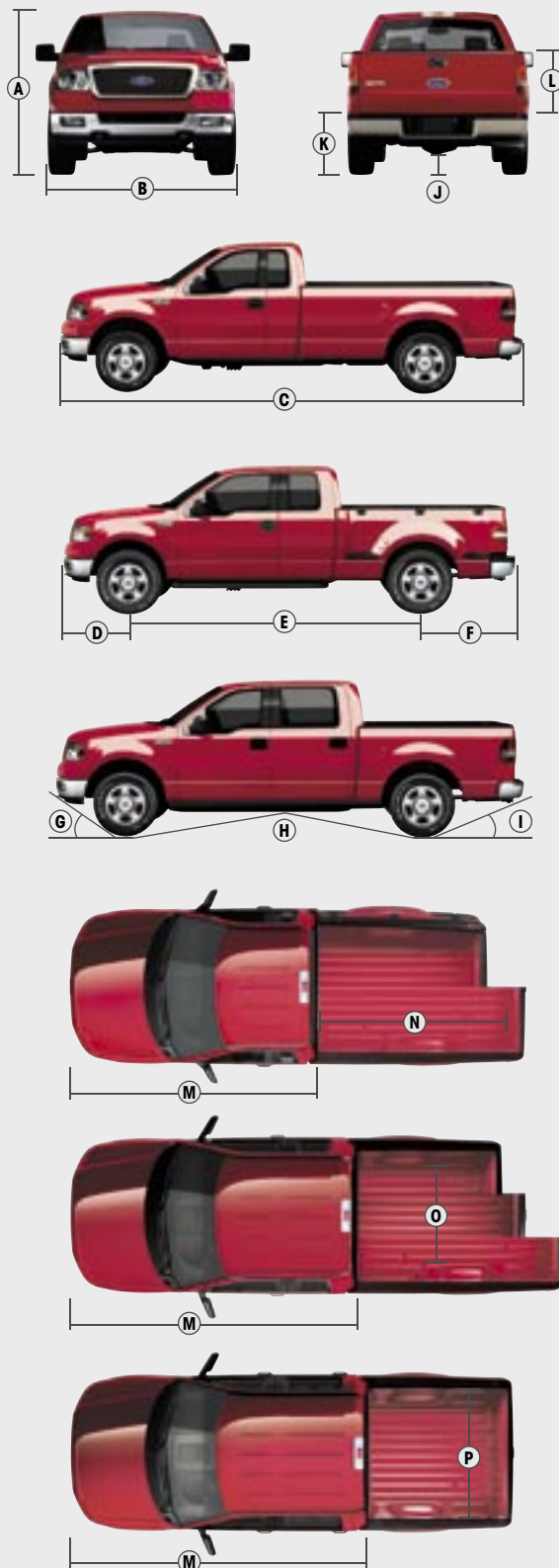
Engine	Axle Ratio	Max. GCWR (lbs.)	Regular Cab 4x2		Regular Cab 4x4		SuperCab 4x2			SuperCab 4x4			SuperCrew 4x2		SuperCrew 4x4	
			126.0" WB	144.5" WB	126.0" WB	144.5" WB	132.5" WB	144.5" WB	163.0" WB	132.5" WB	144.5" WB	163.0" WB	138.5" WB	138.5" WB		
4.2L SEFI V6 Manual [§]	3.31	7200	2400	2200	—	—	—	—	—	—	—	—	—	—	—	—
	3.55	8500	3700	3500	—	—	—	—	—	—	—	—	—	—	—	—
4.2L SEFI V6 Automatic	3.55	10,000	5100	5000	—	—	—	—	—	—	—	—	—	—	—	—
	3.73	10,500	5600	5500	—	—	—	—	—	—	—	—	—	—	—	—
4.6L Triton V8 Automatic	3.55	11,500	6500	—	6200	—	6300	—	—	6000	—	—	—	—	—	—
			11,700	—	6600	—	6300	—	6400	—	—	6100	—	6300	—	
	3.73	12,200	—	7100	—	6700	—	6800	—	—	6500	—	—	—	—	—
			12,000	—	7000	—	6700	—	6800	—	—	6500	—	—	—	—
5.4L 3-valve Triton V8 ^{§§} Automatic	3.31	12,000	6900	—	—	—	—	—	—	—	—	—	—	—	—	—
			12,500	—	7300	—	—	—	—	—	—	—	—	—	—	—
	3.55	13,000	7900	—	7600	—	7600	—	—	7300	—	—	—	—	—	—
			14,000	—	8800	—	8500	—	8600	—	—	8300	—	8500	8200	—
3.73	13,500	8400	—	8100	—	8100	—	—	7800	—	—	—	—	—	—	
		15,000	—	9800	—	9500	—	9500	—	—	9300	—	9500	9200	—	
4.10	15,300	—	9900	—	9500	—	—	9500	—	—	9300	—	—	—	—	

[§]Late availability. ^{§§}Reduce GCWR/maximum trailer weight by 500 lbs. on FX4 and Lariat with optional 18" wheels.

Note: Maximum loaded trailer weights shown. The combined weight of the towing vehicle (including hitch, passengers and cargo) and the loaded trailer must not exceed the Gross Combination Weight Rating (GCWR).

Note: See RV and Trailer Towing Guide for requirements and restrictions and 5th-wheel towing.

DIMENSIONS



	Regular Cab 4x2/4x4 Styleside	SuperCab 4x2/4x4 Styleside	SuperCrew 4x2/4x4 Styleside
Exterior			
A. Overall height			
5.5' box	—	74.0"/76.5"	73.5"/76.0"
6.5' box	73.7"/75.6"	73.5"/75.6"	—
8' box	73.8"/75.6"	73.4"/75.4"	—
B. Overall width (excl. mirrors)	78.9"	78.9"	78.9"
C. Overall length			
5.5' box	—	217.8"	223.8"
6.5' box	211.2"	229.8"	—
8' box	229.8"	248.4"	—
D. Overhang – Front	36.9"	36.9"	36.9"
E. Wheelbase			
5.5' box	—	132.5"	138.5"
6.5' box	126.0"	144.5"	—
8' box	144.5"	163.0"	—
F. Overhang – Rear	48.4"	48.4"	48.4"
G. Angle of approach (SWB)	21.2°/25.1°	21.5°/25.6°	21.5°/26.0°
H. Ramp breakover angle (SWB)	20.1°/22.0°	18.9°/21.1°	17.7°/21.2°
I. Angle of departure (SWB)	23.2°/26.0°	22.6°/24.9°	22.1°/25.3°
J. Ground clearance (rear axle)	8.3"/8.7"	8.3"/8.6"	8.2"/8.1"
K. Loadfloor height (open tailgate to ground, empty)			
5.5' box	—	33.0"/35.1"	32.4"/34.8"
6.5' box	33.1"/35.6"	32.6"/34.9"	—
8' box	33.5"/35.9"	33.5"/35.4"	—
L. Cargo box height with moldings	22.3"	22.3"	22.3"
M. Cab length	124.9"	143.5"	149.3"
Interior			
1st Row			
Head room	40.9"	40.9"	40.1"
Shoulder room	66.5"	66.5"	65.8"
Hip room	65.4"	65.8"	63.8"
Leg room	41.3"	41.3"	41.3"
2nd Row			
Head room	—	39.6"	39.6"
Shoulder room	—	66.7"	65.8"
Hip room	—	66.5"	63.1"
Leg room	—	32.7"	39.0"

SWB = Short Wheelbase

Cargo Area	5.5' Styleside Box	6.5' Styleside Box	6.5' Flareside Box	8' Styleside Box
Volume (cu. ft.)	55.5	65.5	59.1	81.3
N. Length at floor	67.0"	78.8"	78.8"	97.4"
O. Width at wheelhouse	50.0"	50.0"	50.0"	50.0"
P. Maximum width inside box	65.2"	65.2"	59.3"	65.2"

WHEELS



GENUINE FORD ACCESSORIES

See your dealer for these and other great dealer-installed accessories or visit us at fordaccessoriesstore.com.



Over Their Heads

Overhead Rail Storage System – You can fill this ingenious system with some of the useful accessories shown here: SnakeLights,® DVD/CD holder, first-aid kit and power inverter.



Hands On The Wheel

Mobile Ease – Place and receive hands-free calls through the audio system with this Bluetooth® technology and your Bluetooth-equipped cell phone.



Neat Stuff

Cargo Organizer – For SuperCab and Crew Cab models, storage is easy with this premium-grade organizer with molded dividers.



Top-Side Style

Hard Tonneau Cover – Hard fiberglass cover helps protect box contents from the elements. Available in colors to complement your truck.



Soft-Contour Liner

Sport Liner™ – Rugged as a bedliner, you can haul lumber, sand and more. Marine-style polyester is easy to clean and will not absorb stains or mildew.

Ramble On

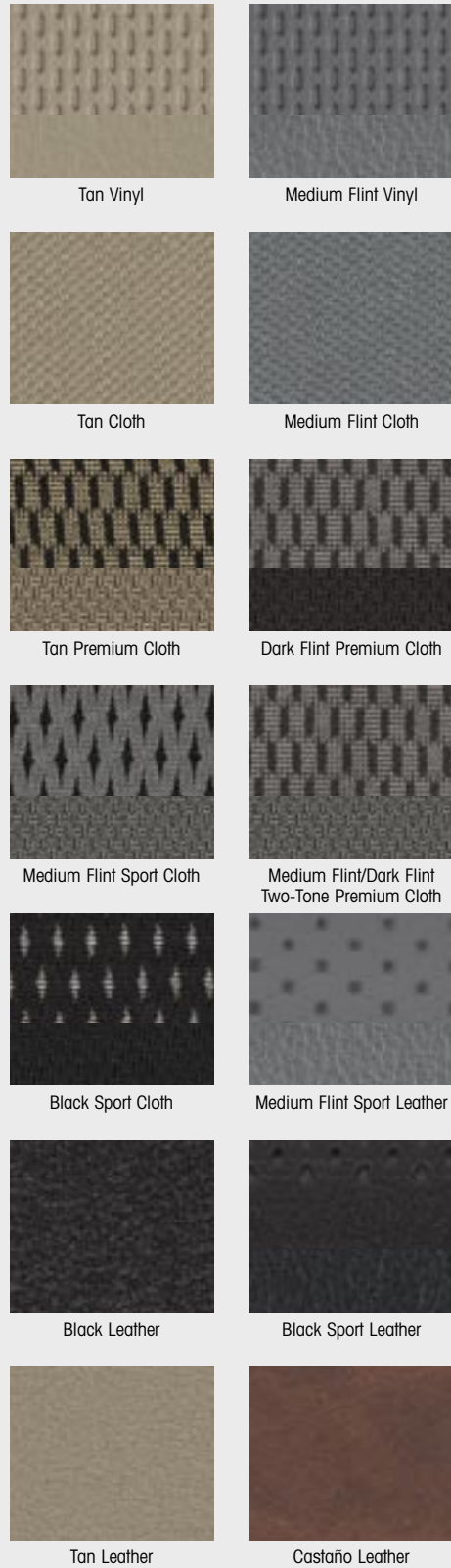
Enhance the appearance of your truck with one of these chromed-aluminum wheels.



18" x 7.5"
Chromed-Aluminum
5-Spoke Wheel

18" x 8"
Chromed-Aluminum
8-Spoke Wheel

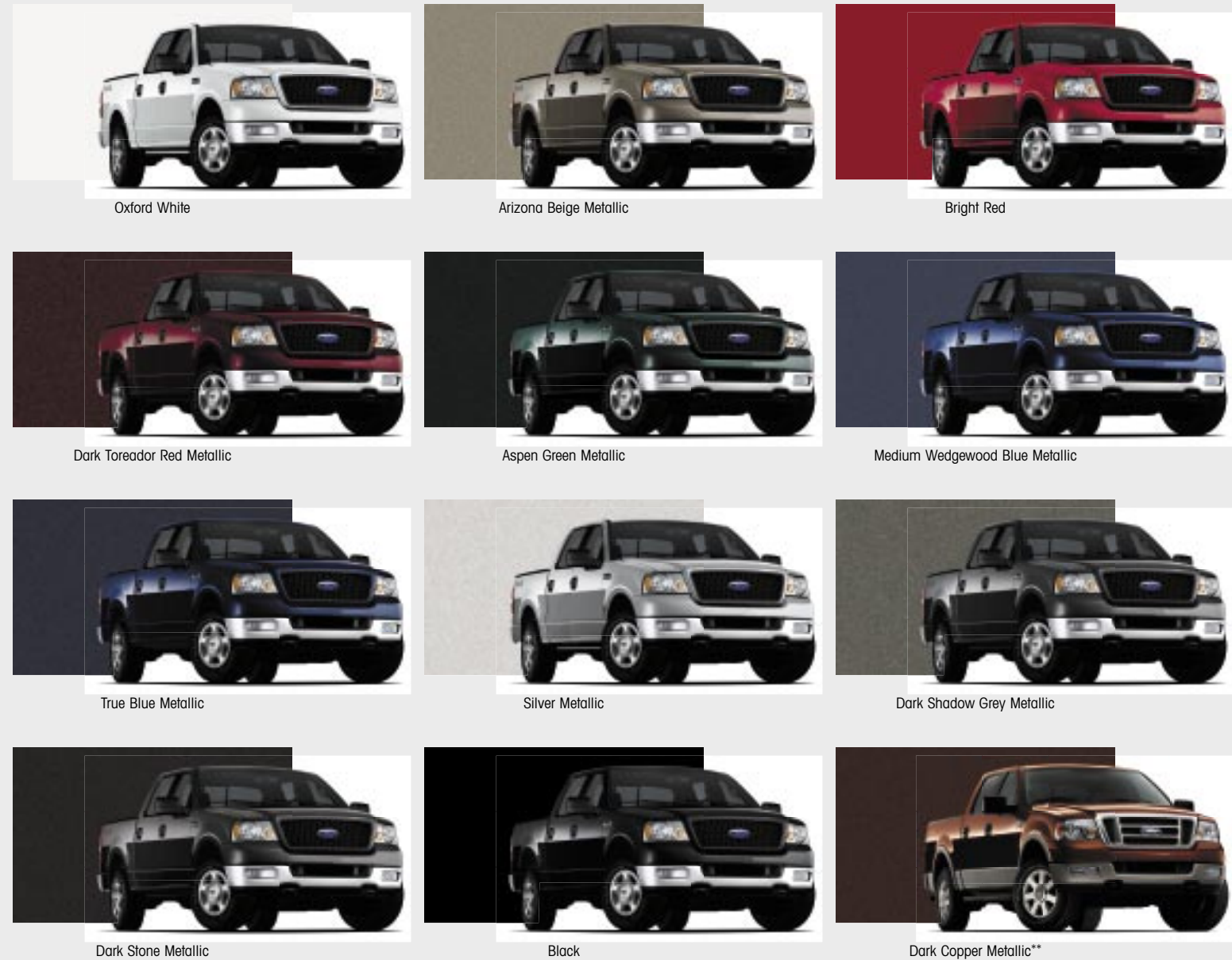
INTERIOR COLORS



	Tan	Medium Flint	Dark Flint	Medium Flint/Dark Flint Two-Tone	Black
XL	●	●	●	●	●
Oxford White	●	●	●	●	●
Arizona Beige Metallic	●	●	●	●	●
Bright Red	●	●	●	●	●
Dark Toreador Red Metallic	●	●	●	●	●
Aspen Green Metallic	●	●	●	●	●
Medium Wedgewood Blue Metallic	●	●	●	●	●
True Blue Metallic	●	●	●	●	●
Silver Metallic	●	●	●	●	●
Dark Shadow Grey Metallic	●	●	●	●	●
Black	●	●	●	●	●
STX	●	●	●	●	●
Oxford White	●	●	●	●	●
Bright Red	●	●	●	●	●
Silver Metallic	●	●	●	●	●
Dark Shadow Grey Metallic	●	●	●	●	●
Dark Stone Metallic*	●	●	●	●	●
Black	●	●	●	●	●
XLT	●	●	●	●	●
Oxford White	●	●	●	●	●
Oxford White/Arizona Beige Metallic	●	●	●	●	●
Arizona Beige Metallic	●	●	●	●	●
Bright Red	●	●	●	●	●
Bright Red/Arizona Beige Metallic	●	●	●	●	●
Bright Red/Silver Metallic	●	●	●	●	●
Dark Toreador Red Metallic	●	●	●	●	●
Dark Toreador Red Metallic/Arizona Beige Metallic	●	●	●	●	●
Dark Toreador Red Metallic/Silver Metallic	●	●	●	●	●
Aspen Green Metallic	●	●	●	●	●
Aspen Green Metallic/Arizona Beige Metallic	●	●	●	●	●
Aspen Green Metallic/Silver Metallic	●	●	●	●	●
Medium Wedgewood Blue Metallic	●	●	●	●	●
Medium Wedgewood Blue Metallic/Arizona Beige Metallic	●	●	●	●	●
Medium Wedgewood Blue Metallic/Silver Metallic	●	●	●	●	●
True Blue Metallic	●	●	●	●	●
True Blue Metallic/Silver Metallic	●	●	●	●	●
Silver Metallic	●	●	●	●	●
Dark Shadow Grey Metallic	●	●	●	●	●
Dark Shadow Grey Metallic/Silver Metallic	●	●	●	●	●
Dark Stone Metallic*	●	●	●	●	●
Dark Stone Metallic*/Arizona Beige Metallic	●	●	●	●	●
Black	●	●	●	●	●
Black/Arizona Beige Metallic	●	●	●	●	●
Black/Silver Metallic	●	●	●	●	●

*New for 2005.

EXTERIOR COLORS



Ford uses clearcoat paint for beauty and protection. Colors shown are representative only. Not all colors are available on all models. See your dealer for actual paint/trim options. F-150 XLT SuperCrew 4x4 shown. **King Ranch only.

Ford Credit Get the ride you want. Whether you plan to lease or finance, you'll find the choices that are right for you at Ford Credit. Ask your Ford Dealer for details or check us out at fordcredit.com.

Ford EXTENDED SERVICE PLAN For a purchase or lease, the Ford "Peace-of-Mind" protection designed to cover key vehicle components and protect you from the cost of unexpected repairs. Ask your dealer for an ESP backed by Ford Motor Company and honored at all Ford dealerships.

Ford Insurance Services Choose the insurance program that's designed for your vehicle – Ford Motor Company Insurance Services. Our program helps you receive the rates and service you deserve. Call 1-877-367-3847 or visit us at fordvip.com for a no-obligation quote. Insurance offered by American Road Services Company (in CA, American Road Insurance Agency), a licensed agency and subsidiary of Ford Motor Company.



2004 Awards

2004 North American Truck of the Year
2004 Texas Auto Writers Association..... Truck of the Year
Car and Driver Magazine..... 5Best Pickup Truck Winner
National Highway Traffic Safety Administration 5 Star Front
Insurance Institute for Highway Safety Best Pick
2004 *Truckin'* Magazine..... Truck of the Year
Money[®] Magazine Best Pickup
Kelley Blue Book Best Redesigned Vehicle for 2004
eMOTION! REPORTS.com..... Truck of the Decade
USA TODAY The Year's Best Pickup
2003 *Popular Science*..... Best of What's New Grand Award
AAA Auto Guide: 2004 New Cars and Trucks Truck of the Year
and more, and more...