



Build your Liberty at jeep.com.



1967 Jeep[®] Super Wagoneer

LEGENDARY LINEAGE. When Jeep[®] Liberty entered the compact SUV landscape in 2002, another Jeep brand legend was born. Today, Liberty claims the role of modern-day hero, still. With its classic profile and road presence, Liberty capitalizes on the "go anywhere" Jeep brand attitude: decisively tough, incredibly refined, and utterly capable. Liberty epitomizes a strength of purpose that's designed to take every hard-core adventurer up, over, and beyond, arriving at destinations that other less-accomplished pretenders only dream of reaching.

Jeep[®]

2011
Liberty



jeep.com



Jeep is a registered trademark of Chrysler Group LLC.

(800) 925-JEEP

Freedom instills all-weather confidence, every day of the year.*

Selec-Trac® II Active 4WD 3.7L SOHC V6 Engine with Electronic Throttle Control SIRIUS® Travel Link™⁽¹⁾ Standard Cruise Control Active Head Restraints⁽²⁾ Antilock Brake System (ABS) Tire Pressure Monitoring Warning System Fold-Flat Front-Passenger Seat SIRIUS® Satellite Radio⁽¹⁾ Power Heated Manual Folding Mirrors Advanced Multistage Driver and Front-Passenger Air Bags⁽³⁾ Side-Curtain Air Bags⁽³⁾ Electronic Stability Control (ESC)⁽⁴⁾ with All-Speed Traction Control Electronic Roll Mitigation (ERM) Hill Start Assist 60/40 Flat-Folding Rear Seats Premium Leather-Trimmed Seats Leather-Wrapped Steering Wheel with Audio, Electronic Vehicle Information Center (EVIC), and Speed Controls Uconnect® Phone with Voice Command Premium Tire and Wheel Group Uconnect Web⁽⁵⁾ ParkSense® Rear Park Assist System⁽⁶⁾ HomeLink® Jeep® Memory System Sky Slider® Full-Length, Fully Retractable Roof Trailer Sway Control⁽⁴⁾ Hill Descent Control Chrome Grille and Bodyside Molding Heated Driver and Front-Passenger Seats



*Standard and available equipment shown. A note about this brochure: All disclaimers and disclosures can be found on the inside back cover.



The enduring standard for peak off-road capability. Jeep® Liberty remains true to its Trail Rated® roots, fortified with time-tested components that give you the freedom to go anywhere and do anything. Whether you ride up and into territories unknown, plunge through 15 inches of rushing river, or head out onto roads buried in fresh snow, Liberty's Trail Rated mantra of unmatched capability holds true for all who take the wheel. Get in, grab on, and go.



BOLDLY GO.
Liberty's aggressive ground clearance and approach/departure angles give you permission to take on the gnarliest trails.



BE ARTICULATE.
A flexible suspension system and a tight turning diameter help keep you grounded and grabbing terra firma.



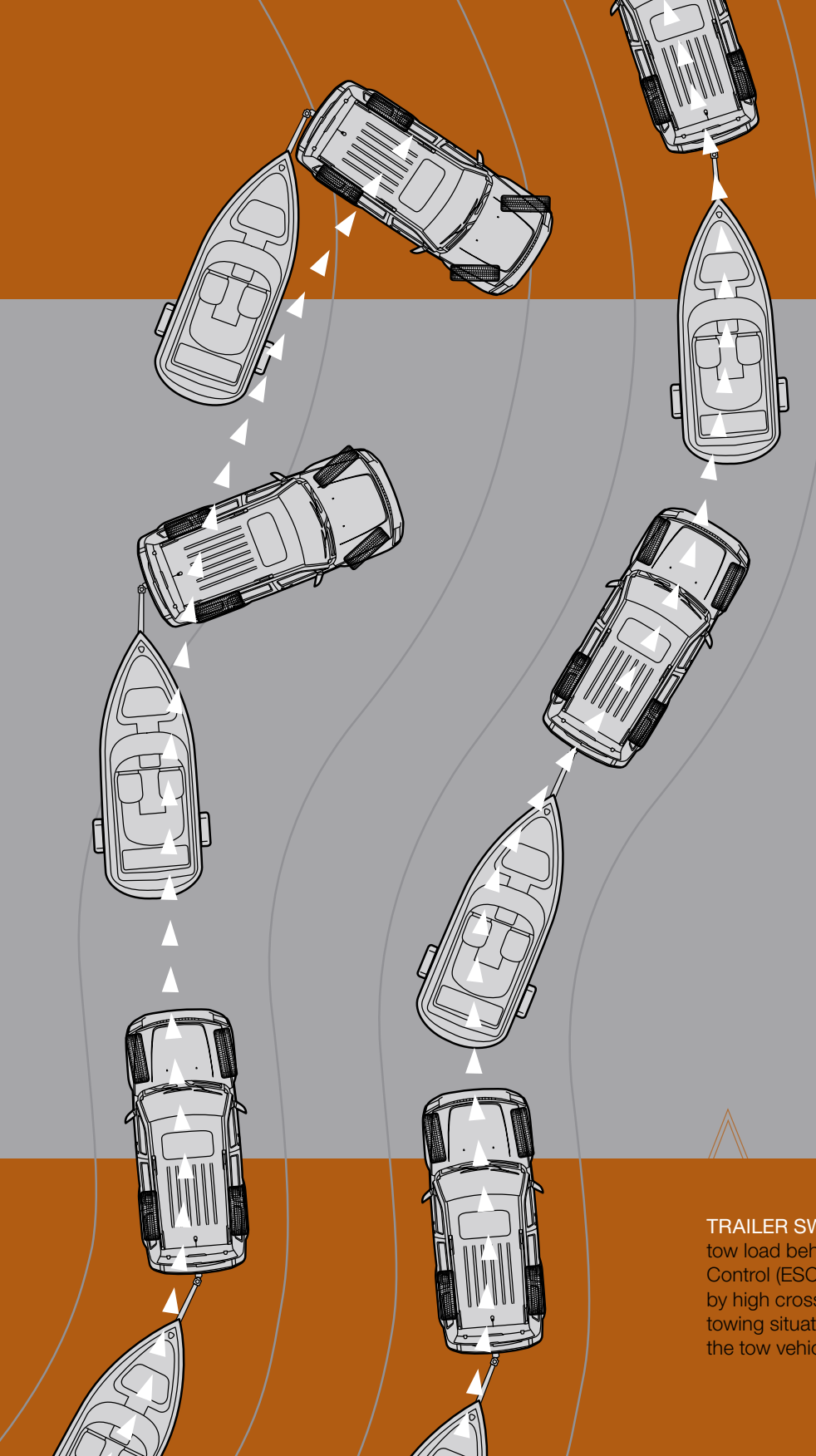
POSSESS PRECISION.
An optimized wheelbase combined with rack-and-pinion power steering smooths the road below for a very controlled, even ride.

SELEC-TRAC® II: 4WD AUTO OR 4-LOW.
Full-time active "on-demand" capability instantly increases or decreases torque between front and rear axles.



Liberty's got your front, your side, and your back.

Head out with confidence, knowing that Liberty's robust set of safety and security systems can give you and your passengers peace of mind on the road and on the trail. Liberty's air bag system is standard, and includes side-curtain and advanced multistage driver and front-passenger air bags⁽³⁾ with an Occupant Classification System (OCS) for added security. Also standard are supplemental side-curtain air bags⁽³⁾ with roll-sensing technology for the added safety of outboard occupants.



ELECTRONIC STABILITY CONTROL (ESC)⁽⁴⁾

A vehicle-wide network of safety sensors provides instant aid when it detects that you're veering off your intended path. ESC integrates a four-wheel antilock brake system (ABS), all-speed traction control, a Brake Assist system that automatically helps provide quicker braking power in emergency situations, a Brake-Lock Differential that enhances side-to-side traction control, and Electronic Roll Mitigation (ERM) that can apply appropriate braking to necessary wheels when sharp steering actions and/or impending wheel lift is detected.

PARKSENSE[®] REAR PARK ASSIST SYSTEM⁽⁶⁾

Shift into Reverse and back out with more confidence. This system helps bring previously hidden rear objects to your attention with an audible and visual warning.

FRONT-SEAT ACTIVE HEAD RESTRAINTS⁽²⁾

A standard safety feature that can help stave off neck injuries. Restraints automatically react and deploy to help provide protection during rear-impact collisions.

TIRE PRESSURE WARNING LAMP. The warning lamp is standard and a Tire Pressure Monitoring Display is available. This system provides notification of high or low pressure on individual tires via an instrument panel readout.

REMOTE KEYLESS/ILLUMINATED ENTRY. There's no need to fumble with packages or search for the right key. Simply press a button on your key fob to simultaneously light entryways and gain access to your vehicle.

TRAILER SWAY CONTROL (TSC)⁽⁴⁾ This available system helps manage the tow load behind you. It works in tandem with Liberty's Electronic Stability Control (ESC)⁽⁴⁾ to help improve handling during adverse conditions caused by high crosswinds or traffic. When the system's sensors detect an unsafe towing situation, selective brake pressure is applied on alternating sides of the tow vehicle to help reduce the sway.



Stay connected to the people, music, and devices that matter most. Uconnect® is an intuitive hub for all your media — cell phone, Internet, satellite radio, navigation system, MP3 player, and smartphone — designed to make your life easier, wherever you roam.



PHONE. Talking on the phone while driving has never been easier — or more responsible. Uconnect Phone is the in-vehicle voice-activated communication system that allows you to talk on your Bluetooth® compatible phone virtually hands-free. This clever system is also smart enough to synchronize with your Bluetooth compatible phone's address book⁽⁷⁾ — up to 1,000 entries — every time you get into your vehicle.



WEB. Put the power of high-speed Internet in your vehicle with Uconnect Web.⁽⁵⁾ Effortlessly connect any WiFi-enabled device to the Internet at 3G broadband speeds from up to 150 feet away. Use multiple devices at the same time. This unique Authentic Accessory by Mopar transforms your vehicle into a mobile WiFi Hotspot. No need for cell cards or software — connectivity is all done wirelessly.



VOICE COMMAND. It simplifies driving by letting you keep your eyes on the road and your hands on the wheel. Vocally select FM radio stations or SIRIUS⁽¹⁾ Satellite Radio channels. Make and receive calls. Select navigation destinations, and record voice memos. This smart system technology can also be trained to better recognize your voice and can understand commands in English, French, and Spanish.



ENTERTAINMENT. Manage all of your media. You'll have multiple ways to access audio, including SIRIUS Satellite Radio⁽¹⁾ (your first year of service is included), a 30GB hard drive, Voice Command and Bluetooth Streaming Audio. Rear Seat Video,TM an authentic Jeep[®] accessory from Mopar, can be accessed via SIRIUS Backseat TV,^{TM(1)} DVDs, compatible multimedia devices, and gaming consoles.



NAVIGATION. It provides enhanced GPS navigation and destination entry via voice command and SIRIUS Traffic^{TM(1)} for real-time traffic information on the go. It can also locate nearby restaurants, shopping, hospitals, or points of local interest. Includes accident alerts, road closings, and traffic flow. Your first year of SIRIUS Traffic⁽¹⁾ service is included.



SIRIUS TRAVEL LINK.^{TM(1)} Access a wealth of information at your fingertips, including national and local weather reports, local gas prices, in-game and final sports scores, weekly movie times, even local ski slope conditions. Subscription is required after one-year complimentary service (late availability).



GARMIN. NAV.[®] Offered for the first time is a Media Center featuring navigation from Garmin, the most recognized name in GPS wayfinding. The new Media Center features Garmin's intuitive user interface, bringing the Garmin hand-held experience to a factory in-dash radio.





17-inch Victory aluminum painted Tech Silver
Liberty Limited (Standard)

18-inch Echelon chrome-clad cast aluminum
Liberty Limited (Available)

Jeep® Liberty Limited. Begin with Limited's standard and very inviting leather-trimmed interior, heated driver and front-passenger seats, and nine amplified speakers with a subwoofer. Option the Uconnect® Media Center 730N navigation radio featuring the convenient SIRIUS® Travel Link,^{TM(1)} and you'll get real-time traffic updates and fuel prices, plus SIRIUS Weather.^{TM(1)} Where your journey ends will be far and above all the rest.



SKY SLIDER.® With one simple touch of a button, your world opens up. The available Sky Slider full-length, fully retractable roof puts you and your passengers in touch with fresh-aired outdoors. It opens front to back, exposing both rows of seating, and back to front, revealing only the second row, or any position in between.

LIBERTY LIMITED. STANDARD: Leather-wrapped steering wheel, leather-trimmed seats, chrome grille, bodyside moldings, and roof-rack side rails, heated front seats, 17-inch aluminum wheels, eight amplified speakers with powered subwoofer.
AVAILABLE: Sky Slider roof, ParkSense® Rear Park Assist System,[®] remote start.





SKID PLATE GROUP. Renegade comes ready to rock, right out of the box. Its standard Skid Plate Group provides protection for your fuel tank and transfer case, plus front suspension skid plates and tow hooks. A must-have for every off-road adventurer.



16-inch Keystone aluminum painted Mineral Gray
Liberty Renegade (Standard)

Jeep® Liberty Renegade. Complement your worldly-and-wild nature. Renegade combines craftsmanship and style with an exclusive hood decal, blackout headlamp lenses, accent-color fender flares and fascia, and standard rugged roof-rack side rails. A standard Command-Trac® II 4WD system adds proven Jeep brand capability, while a standard premium interior package puts you in touch with a leather-wrapped center console armrest, door armrest, passenger grab handle, steering wheel, shift knob and parking brake boot.



LIBERTY RENEGADE. STANDARD: Accent-color hood decal, fender flares, fascias and wheels, Command-Trac II 4WD system, Hill Descent Control (HDC), rugged roof-rack side rails, Skid Plate Group, premium cloth seats in Dark Slate Gray. **AVAILABLE:** Selec-Trac® II 4WD system, remote start system, leather-trimmed seats, heated front seats, Jeep® Memory Package, power 6-way driver and 2-way passenger seats.





FEAR NO MUD. Liberty's reversible cargo tray is a welcome feature for those who like to keep their goods neatly stowed. One side is carpeted and the other reveals a 2-inch-deep washable cargo tray perfectly designed to transport your muddiest sporting gear.



16-inch Keystone aluminum
Painted Sparkle Silver
Liberty Sport (Standard)

Jeep® Liberty Sport. Liberty's standard and extremely capable 210-hp 3.7L V6 engine is enhanced with Electronic Throttle Control (ETC) and can be matched to the available Trail Rated® Selec-Trac® II for full-time 4WD action. With standard power-assisted rack-and-pinion steering, independent front suspension and five-link rear suspension, Sport delivers a pleasing blend of nimble cruising comfort and road manners. Go ahead. Just for the Sport of it.



ROOM TO MOVE. Liberty provides 26.1 cu ft of cargo capacity with the rear seat up and expands to a maximum 62.4 cu ft with Liberty's 60/40 split-folding rear seats moved to the "down" position. Liberty also offers best-in-class comfort and convenience features and flexible seating and cargo options.

LIBERTY SPORT. STANDARD: 16-inch aluminum wheels, Electronic Stability Control (ESC),⁽⁴⁾ power-adjustable and heated manual-folding exterior mirrors, steering wheel with audio and cruise controls, premium cloth seats, fold-flat front-passenger seat, SIRIUS® Satellite Radio.⁽¹⁾ **AVAILABLE:** Selec-Trac® II full-time 4WD system, Sky Slider® roof.

WATER GAMES. Trail Rated® Jeep Liberty 4WD vehicles can take you to the water's edge and beyond. These troopers feature additional electrical and body sealing, along with a high air-intake location, for optimum water fording⁽⁹⁾ capability.

Properly secure all cargo.

Always authentic, from every direction. When your Liberty is outfitted with Authentic Jeep® Accessories by Mopar, its notable profile gains even greater distinction. All Mopar products are specifically designed to enhance your vehicle, sculpting it into a creation of impressive taste and style. As the official parts and accessories division of Chrysler Group LLC, you should regard Mopar parts as original equipment, manufactured with the same uncompromising standards as your Jeep Liberty. For the full line of Authentic Jeep Accessories by Mopar, visit mopar.com.

AUTHENTIC JEEP ACCESSORIES



HITCH RECEIVER.⁽¹⁰⁾ Receiver features a 2-inch opening and when properly equipped with weight distributing equipment, allows it to tow up to 5,000 lb.⁽¹¹⁾ Ball Mount, Hitch Ball and Wiring Harness sold separately.



DOOR SILL GUARDS. Durable guards are constructed of brushed stainless steel to enhance the style of your Liberty and protect all four interior door sills from scratches. Guards are easy to install and prominently feature the Jeep logo.



MOLDED CARGO TRAY. Designed to fit the rear cargo area to help protect carpeting. Skid-resistant thermoplastic tray is Black and features the Jeep logo and an embossed area to access the floor tie-downs.



JEEP LIBERTY LIMITED in Bright Silver Metallic outfitted with Authentic Jeep Accessories by Mopar, including 18-inch Black Painted Cast Aluminum Wheel, Black Tubular Side Steps, Front Tow Hooks, Roof Top Cargo Basket with Net, Sport Utility Bars, and Tubular Grille Guard.

TRAIL EDITION CAMPER TRAILERS. Embrace the trails with Mopar's first off-road Camper Trailers, engineered for Jeep capability. Lightweight all-aluminum construction incorporates Jeep Wrangler's rugged design cues, including Rubicon 17-inch cast aluminum wheels, 32-inch Mud Terrain tires, 12 inches of ground clearance, trailing-arm suspension, aluminum cover, and optional 360-degree axis pintle hitch. Unfold to 76 inches of headroom featuring a queen-size bed, foldout sofa, table, cabinet, and 110-volt power supply. Hard-core off-road enthusiasts can up the ante with the **Extreme Trail Edition Camper** and its heavier frame, 35-inch tires, 15 inches of ground clearance, and full-underbody skid plate.



Exterior Colors

Interior Trim



Brilliant Black Crystal Pearl

Natural Green Pearl

Dark Charcoal Pearl

Light Sandstone Metallic

Deep Cherry Red Crystal Pearl

Bright White

Blackberry Pearl

Bright Silver Metallic

SPORT



Pinnacle/Racine Cloth — Light Pebble Beige/Dark Pebble Beige (Standard)

Pinnacle/Racine Cloth — Dark Slate Gray (Standard)

RENEGADE



Dallas/Wallace II Cloth — Dark Slate Gray (Standard)

Axis Perforated McKinley Leather Trim — Dark Slate Gray (Available)

LIMITED

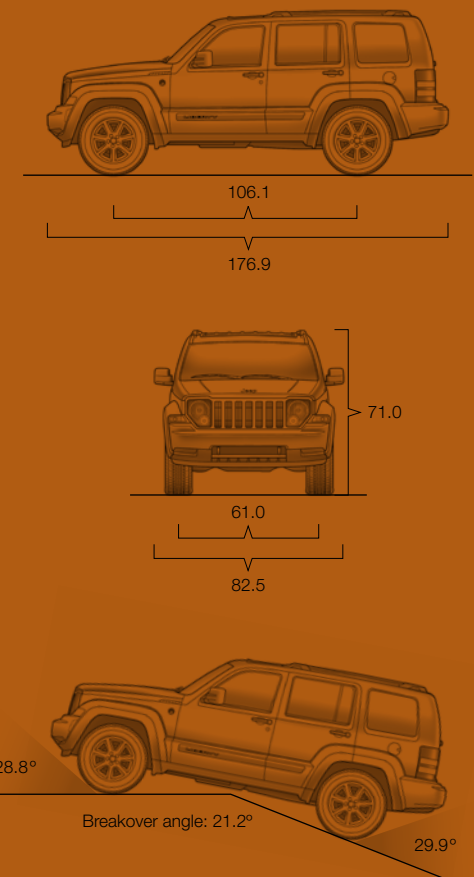


Axis Perforated McKinley Leather Trim — Pastel Pebble Beige (Standard) (Limited Availability)

Axis Perforated McKinley Leather Trim — Dark Saddle (Standard) (Late Availability)

Axis Perforated McKinley Leather Trim — Dark Slate Gray (Standard)

Specifications



POWERTRAIN

Engine	3.7L SOHC V6
Displacement (cu in)	226
Horsepower (SAE net @ rpm)	210 @ 5,200
Torque (SAE net lb-ft @ rpm)	235 @ 4,000
Fuel System	Sequential multipoint electronic fuel injection
Transmission	4-speed automatic with overdrive and lockup torque converter; electronically controlled

FOUR-WHEEL-DRIVE SYSTEM (transfer case) (4x4 models)

Command-Trac® II MP1522	Part-time; 2-speed with electronic shift-on-the-fly, low range (2.72:1), Neutral	Std.
Selec-Trac® II MP3022	Active full-time; 2-speed with 4WD auto high range and low range (2.72:1) and Neutral, variable with 35/65 front/rear default torque split, electronically controlled clutch pack coupling in center differential and open front and rear differentials	Opt.

BODY/SUSPENSION/CHASSIS

Body Design	UniFrame construction: All-steel body sheet metal and frame structural members welded and bonded into a single unit	Std.
Suspension	Independent Short-Long-Arm (SLA) with cast-iron lower and forged steel upper A-shaped control arms, coil springs, stabilizer bar; low-pressure gas-charged shock absorbers; 2,750-lb gross axle weight rating	Front
	Five-link solid axle with tubular track bar, upper and lower trailing control arms, coil springs, stabilizer bar, low-pressure gas-charged shock absorbers; 3,150-lb gross axle weight rating	Rear
Steering	Power-assisted, rack-and-pinion	
Overall Ratio		17.4:1
Turns (lock-to-lock)		3.4
Turning Diameter (ft) (curb-to-curb)		35.5

CAPACITIES/WEIGHTS (pounds unless otherwise specified)

Fuel Tank (gal)	19.5
Base Curb Weight 2WD/4WD	4,076/4,290
Payload Capacity , Sport/Limited (with all occupants and cargo)	950/1,150
Maximum Gross Vehicle Weight Rating	5,675

BRAKE SYSTEM

Power-assisted ; ventilated disc brakes; 11.9" rotor diameter	Front
Power-assisted; solid disc brakes; 12.4" rotor diameter	Rear
Electronic Stability Control (ESC)⁽⁶⁾	Four-channel, four-wheel antilock with active wheel-speed, vehicle-speed, steering-wheel angle, yaw-rate, and lateral-acceleration sensors, vehicle stability management with two-stage activation switch, all-speed traction control, brake lock differentials, Brake Assist, Electronic Roll Mitigation (ERM), Hill Start Assist (HSA) and Electronic Brake Distribution (EBD)
Hill Descent Control (4x4 models)	Std.
Trailer Sway Control⁽⁶⁾ (with Trailer Tow Group)	Std.

TOWING DATA (pounds)

Maximum Loaded Trailer Weight 4-speed automatic	5,000 ⁽¹¹⁾
Class III Towing Maximum Gross Combined Weight Rating, 2WD/4WD	9,850/10,175
Tongue Load Limit	750*

Restriction: Trailer frontal area limitation of 64 sq ft with 5,000-lb trailer; maximum trailer length of 25 feet; Trailer Sway Control recommended. This chart is meant to serve as a quick and easy reference guide on how to properly equip your Jeep Liberty for towing. For specific details, discuss your plans with your Jeep dealer, who will help you select the right equipment to meet your specifications.

*Requires Trailer Tow Group.

EXTERIOR DIMENSIONS (inches unless otherwise specified)

Length	
Wheelbase	106.1
Overall Length	176.9
Overhang, front/rear	29.3/41.5
Width	
Overall Width	82.5
Track, front/rear	61.0/61.0
Height (overall roof)	71.0
Ground Clearance (at base curb weight)	
Running Ground Clearance	7.8
Approach Angle/Departure Angle	28.8°/29.9°
Breakover Angle	21.2°

INTERIOR DIMENSIONS (inches unless otherwise specified)

Seating Capacity	5 Adults
Head Room , front/rear	40.4/40.5
Leg Room , front/rear	40.8/38.1
Shoulder Room , front/rear	57.1/56.6
Hip Room , front/rear	52.6/47.8
Cargo Volume (cu ft), rear seat up/folded	26.1/62.4



TRIPCAST™ by the Jeep brand is a free and easy way to track the progress of your trips and post photos, videos, audio clips, and notes from the road to share with friends in real time. It automatically maps your trail using your iPhone® GPS capabilities. Link TripCast to your Facebook or Twitter account to post trip updates. Includes Points of Adventure, a database of over 250,000 activity spots, including parks, bike paths, camping areas, ski resorts, and more.



JOIN IN. Join fellow enthusiasts and tell your story by posting comments, participating in discussions, and sharing your photos and videos. Join our community on Facebook™ ([facebook.com/Jeep](https://www.facebook.com/Jeep)), follow us on Twitter (twitter.com/Jeep), and check us out on YouTube ([youtube.com/TheJeepChannel](https://www.youtube.com/TheJeepChannel)). The community is gathering online.



Jeep Gear GEAR UP. Explore an extensive line for the Jeep enthusiast. From authentic wearables to unique gifts, all items are as rugged and durable as your Jeep vehicle. jeep.com/gear



Jeep Jamboree USA JEEP JAMBOREES. Jeep® Jamboree USA offers off-road adventure weekends that bring together the outdoors, down-to-earth people and their Jeep 4WD vehicles. We invite you to explore America's remote backcountry, where great friendships and memories are made. jeep.com/jamboree



The Jeep Life

WARRANTIES. Jeep vehicles are covered by a 3-Year or 36,000-Mile Basic Limited Warranty (excludes normal maintenance and wear items), as well as a 5-Year or 100,000-Mile Powertrain Limited Warranty that is fully transferable and includes towing to an authorized dealer. Ask your dealer for details and a copy of these limited warranties.



CHRYSLER SERVICE CONTRACTS. Chrysler Group LLC has a vested interest in your satisfaction and overall owner experience. Chrysler Group Service Contracts offer extended service plans to help ensure you'll enjoy the adventure of Jeep life many years down the road. For details, see your Jeep dealer, call (800) 442-2666 or visit jeep.com/csc.



CAPABILITY	Sport		
	Renegade	Limited	
	B	D	F
Four-Wheel-Drive System (4x4 models only) Command-Trac® II MP1522, part-time, shift-on-the-fly transfer case	•	•	•
Selec-Trac® II MP3022, active full-time transfer case	O	O	O
Hill Descent Control (HDC) (4x4 models only)	•	•	•
Hill Start Assist (HSA)	•	•	•
Tires — All-Season black sidewall	•	•	•
All-Terrain, outline white letter	O	•	•
Full-size spare (included with Trailer Tow Group, outline white letter tires, and 18" chrome-clad wheels)	O/P	O	O/P
EXTERIOR			
Lighting Halogen headlamps, center high-mounted stop lamp (CHMSL)	•	•	•
Automatic headlamp controls	•	•	•
Fog lamps integrated into headlamp module (included with Popular Equipment Group)	P	•	•
Mirrors, Exterior Power adjustable, heated, manual foldaway	•	•	•
INTERIOR			
Air Conditioning Manual temperature controls	•	•	•
Automatic temperature controls (included with Comfort/Convenience Group or Premium Group)	P	P	•
Air Filtration	•	•	•
Child Seat Anchor System (LATCH) Mounts for 2 child seats in the second row help ease the installation of compatible aftermarket child seats	•	•	•
Floor Mats Carpet, front and rear	•	•	•
HomeLink® Programmable, 3-function with remote controls for garage door opener, interior/exterior home lighting or security devices (included with Premium Group)	P	•	•
Jeep Memory System Controls driver's seat, radio presets and exterior driver-side mirror for 2 drivers (included with Comfort Seating Group)	P	•	•
Mirrors, Interior Rearview, day/night	•	•	•
Rearview, auto-dimming (included with Uconnect® Phone, Premium Group or Navigation Convenience Group)	P	•	•

INTERIOR (cont.)	Sport		
	Renegade	Limited	
	B	D	F
Power Accessory 12-volt auxiliary power outlet, front, located in instrument panel	•	•	•
Remote Keyless/Illuminated Entry Includes two transmitters	•	•	•
Remote Start System Control integrated into key fob (included with Comfort/Convenience Group or Premium Group)	P	P	•
Roof Power sunroof with one-touch open/close and vent feature	O	O	O
Sky Slider® full-length, fully retractable, multiposition roof with express open/close	O	O	O
Seats, Front Low-back reclining buckets	•	•	•
Fold-flat front-passenger seat	•	•	•
6-way power driver and 2-way front-passenger (included with Comfort Seating Group)	P	•	•
Cloth seats	•	•	•
Premium cloth seats	•	•	•
Premium leather-trimmed seats (included with Comfort Seating Group)	P	•	•
Heated driver and front-passenger seats (included with Comfort Seating Group)	P	•	•
Seats, Rear 60/40 split-folding, reclining bench	•	•	•
Windows Power, with driver one-touch auto-down	•	•	•
Power, with driver's one-touch auto-up/down and front-passenger one-touch auto-down (included with Comfort Seating Group, Premium Group and Navigation Convenience Group)	P	•	•
Wiper Systems Windshield, 2-speed with variable intermittent mode	•	•	•
Rear window, wiper/washer with intermittent mode	•	•	•
SAFETY AND SECURITY			
Air Bags Advanced multistage driver and front-passenger with Occupant Classification System (OCS)	•	•	•
Supplemental side-curtain with roll-sensing technology for outboard occupants	•	•	•
Brakes 4-wheel disc antilock	•	•	•
Electronic Stability Control (ESC) Includes Brake Assist, all-speed traction control, Electronic Roll Mitigation (ERM), Hill Start Assist (HSA), electronic brake distribution and brake lock differentials	•	•	•

SIRIUS® SATELLITE RADIO! This unique service delivers over 130 channels, including 100% commercial-free music, sports, news, talk, entertainment, traffic and weather. Factory-installed SIRIUS Satellite Radio includes a one-year complimentary subscription. For more information, go to sirius.com.



SAFETY AND SECURITY (cont.)	Sport		
	Renegade	Limited	
	B	D	F
Front Seat Active Head Restraints Added collision protection	•	•	•
ParkSense® Rear Park Assist System (included with Comfort/Convenience Group and Premium Group)	P	P	•
Security Alarm Monitors doors, liftgate and ignition circuit (included with Popular Equipment Group)	P	•	•
Sentry Key® Antitheft engine immobilizer	•	•	•
Speed Control Electronic, with steering wheel-mounted controls	•	•	•
Tire Pressure Monitoring Warning System Located in instrument cluster	•	•	•
Tire Pressure Monitoring Display System Located in EVIC (included with Premium Group and Navigation Convenience Group)	P	•	•
UCONNECT® MULTIMEDIA			
Media Center Radios			
Media Center 130 AM/FM/CD radio with MP3/WMA support, SIRIUS® Satellite Radio ⁽¹⁾ and audio jack	•	•	•
Media Center 430 AM/FM/CD/DVD radio with MP3/WMA support, 30GB hard drive with 6,700 song capacity, 6.5-inch touch screen, SIRIUS Satellite Radio, ⁽¹⁾ audio jack, Voice Command and Uconnect Phone	O	O	O
Media Center 430N CD/DVD/MP3/HDD/Navigation radio with 6.5-inch touch screen, 30GB hard drive with 6,700 song capacity, audio jack, Garmin® Navigation, SIRIUS Satellite Radio ⁽¹⁾ and SIRIUS Travel Link ^(TM1) (included with Navigation Convenience Group)	O	O/P	O
Media Center 730N AM/FM/CD/DVD radio with MP3/WMA support, 30GB hard drive with 4,250 song capacity, 6.5-inch touch screen, SIRIUS Satellite Radio, ⁽¹⁾ audio jack, Voice Command, GPS Navigation, SIRIUS Traffic ^(TM1) and Uconnect Phone	•	•	O
Audio Systems 6 speakers	•	•	•
9 amplified speakers with subwoofer (included with Premium Group and Navigation Convenience Group)	P	•	•
SIRIUS Satellite Radio ⁽¹⁾ Includes 1-year subscription	•	•	•
Uconnect Phone Hands-free calling with Address Sync, ⁽²⁾ Bluetooth® and Voice Command (included with Premium Group)	P	•	•

AUTOMOBILITY. Chrysler Group LLC's Automobility program provides aftermarket reimbursement incentives on adaptive vehicle upfit equipment in order to help provide safe and reliable vehicle modifications to enhance accessibility for all people. For more information, call (800) 255-9877 or visit chryslerautomobility.com.



UCONNECT® MULTIMEDIA (cont.)	Sport		
	Renegade	Limited	
	B	D	F
Uconnect Web ⁽³⁾ Internet connection and WiFi Hotspot. Dealer-installed Authentic Jeep Accessory by Mopar. Subscription required; sold separately.	O	O	O
PACKAGES			
Black Appearance Package Includes Black Tubular Side Steps, Black Grille Guard and Molded Splash Guards. Authentic Jeep Accessories by Mopar	O	O	O
Chrome Appearance Package Includes Chrome Tubular Side Steps, Chrome Fuel Filler Door, and Door Sill Guards (Front and Rear). Authentic Jeep Accessories by Mopar	O	O	O
Comfort/Convenience Group Includes remote start system, automatic temperature controls and ParkSense® Rear Park Assist System ⁽⁴⁾	•	•	O
Comfort Seating Group Includes leather-trimmed bucket seats, heated front seats, 6-way power driver's seat, 2-way power passenger seat, Jeep memory system and manual driver lumbar support	•	•	O
Navigation Convenience Group Includes Media Center 430N radio, 8 amplified speakers with powered subwoofer, auto-dimming rearview mirror, one-touch driver and passenger front windows, overhead console, Tire Pressure Monitoring Display System and HomeLink® Universal Garage Door Opener (requires Premium Group)	•	•	O
Popular Equipment Group Includes fog lamps, security alarm, P225/75R16 Wrangler OWL All-Season tires, compass and temperature display, roof rack side rails, cargo compartment cover, leather-wrapped steering wheel and deep-tinted rear, quarter and liftgate windows	•	•	O
Premium Group Includes overhead console, remote start, auto-dimming rearview mirror, automatic temperature control, HomeLink Universal Garage Door Opener, one-touch driver and passenger front windows, Tire Pressure Monitoring Display System, 8 amplified speakers with powered subwoofer, Uconnect Voice Command and ParkSense Rear Park Assist System ⁽⁴⁾	•	•	O
Skid Plate Group Includes front suspension, front-end module transfer case and automatic transmission skid plates and 2 front/1 rear tow hooks (4x4 models only)	O	•	O
Trailer Tow Group — Class III Includes Class III hitch receiver, Trailer Sway Control (TSC), ⁽⁶⁾ 7-pin wiring harness and 7- to 4-pin adapter, heavy-duty engine cooling and power steering cooler are also included. Additional Jeep Towing Accessories may be required	O	O	O

• = Included. P = Available within package noted. O = Optional.

This brochure is a publication of Chrysler Group LLC. All product illustrations and specifications are based upon current information at the time of publication approval. Chrysler Group LLC reserves the right to make changes from time to time, without notice or obligation, in prices, specifications, colors, materials and to change or discontinue models, which are considered necessary to the purpose of product improvement or for reasons of design and/or marketing. Jeep, the Jeep Grille, Liberty, Command-Trac, Mopar, ParkSense, Selec-Trac, Sentry Key, Sky Slider, Trail Rated and Uconnect are registered trademarks and Rear Seat Video is a trademark of Chrysler Group LLC. Bluetooth is a registered trademark of Bluetooth SIG, Garmin and the Garmin logo are registered trademarks of Garmin, Ltd. or its subsidiaries and are registered in one or more countries, including the U.S. HomeLink is a registered trademark owned by Johnson Controls, Inc. Phone is a registered trademark of Apple Inc. SIRIUS, XM and all related marks and logos are trademarks of SIRIUS XM Radio Inc. and its subsidiaries.

⁽¹⁾ Required SIRIUS Radio, Traffic and Travel Link subscriptions sold separately after trial period. Other fees and taxes will apply. SIRIUS Traffic and Travel Link available in select markets; and SIRIUS data displays and individual product availability vary by hardware equipment. SIRIUS service available only to those at least 18 years of age in the 48 contiguous U.S.A., DC, and Puerto Rico (with coverage limitations), while Internet radio is also available in AK, HI, and PR. Fees and programming subject to change. Service automatically renews and you will be billed, at then-current rates, unless you call 1-888-539-7474 to cancel. Subscriptions governed by SIRIUS Terms and Conditions available at sirius.com. Service available in Canada: see www.siriuscanada.ca. ⁽²⁾ Always sit properly with the head restraint properly adjusted. Never place anything in front of the head restraint. ⁽³⁾ The advanced front air bags in this vehicle are certified to the new U.S. federal regulations for advanced air bags. Children 12 years old and younger should always ride buckled up in a rear seat. Infants in rear-facing child restraints should never ride in the front seat of a vehicle with a passenger front air bag. All occupants should always wear their lap and shoulder belts properly. ⁽⁴⁾ No system, no matter how sophisticated, can repeat the laws of physics or overcome careless driving actions. Performance is limited by available traction, which snow, ice and other conditions can affect. When the ESC warning lamp flashes, the driver needs to use less throttle and adapt speed and driving behavior to prevailing road conditions. Always drive carefully, consistent with conditions. Always wear your seat belt. ⁽⁵⁾ Uconnect Web feature is not intended for use by the driver while the vehicle is in motion. Always drive carefully. Subscription required. ⁽⁶⁾ Always check entire surroundings before backing up. ⁽⁷⁾ Phone must support Bluetooth Phone Book Access Profile (PBAP). ⁽⁸⁾ Late availability. Garmin and the Garmin logo are registered trademarks of Garmin, Ltd. or its subsidiaries and are registered in one or more countries, including the U.S. ⁽⁹⁾ Do not attempt water fording unless depth known to be less than 20 inches. Traversing water can cause damage that may not be covered by the new vehicle warranty. Always off-road responsibly in approved areas. ⁽¹⁰⁾ Check Owner's Manual for hitch type, load capacity and heavy-duty equipment required. Do not exceed rated tow capacity of the vehicle as equipped. Towing may require some items not supplied by Mopar. ⁽¹¹⁾ When properly equipped.



As a founding member and official partner, we urge all Jeep owners to "Use common sense and stay on designated trails" and follow Tread Lightly! Guidelines, helping preserve the beauty of our landscape for generations to come. Call (800) 966-9900 or visit treadlightly.org to learn more.

Travel responsibly on designated roads and trails or in permitted areas.

Respect the rights of others including private property owners and all recreational trail users, campers and others, to allow them to enjoy their recreational activities undisturbed.

Educate yourself by obtaining travel maps and regulations from public agencies, planning for your trip, taking recreation skills classes, and knowing how to use and operate your equipment safely.

Avoid sensitive areas such as meadows, lakeshores, wetlands and streams, unless on designated routes. This protects wildlife habitat and sensitive soils from damage.

Do your part by leaving the area better than you found it, properly dispose of waste, minimize the use of fire, avoid the spread of invasive species, restore degraded areas, and join a local enthusiast organization.

