



Chrysler

CUSTOM BUILT

Accessories

FOR 1939

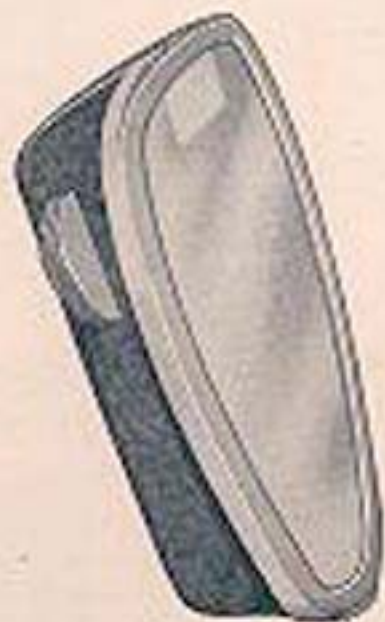


TOP OFF THE DRIVE
with
THE ADDED SERVICE
that
ACCESSORIES OFFER

THE accessories illustrated in this booklet have all been engineered for Chrysler—for the best fit on Chrysler—to give the best performance with Chrysler. Every item has been tested in Chrysler Corporation engineering laboratories and carries the approval of the men who know your car best—the engineers who designed it.

ILLUMINATED

Vanity Mirror



For checking make-up etc. Mazda lamp powered by self contained batteries lights user's face at night—Also serves as handy flashlight for use about the car or home. Stores in glove compartment. CORD TYPE ALSO AVAILABLE.

OUTSIDE

Rear View Mirror

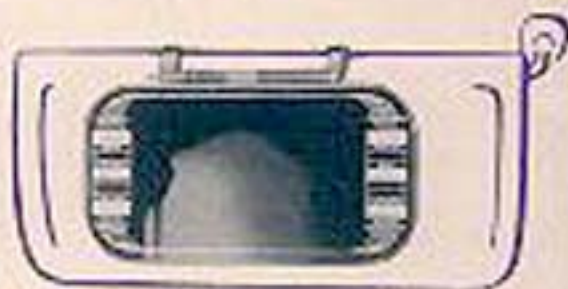


Completes driving vision for greater safety. Non-glare mirror. Theft-proof clamp provides for installation without drilling body or pulling hinge pin. Mounts high or low along door.

VISOR

Vanity Mirror

Conveniently located for a check of your appearance upon entering or leaving car.



Quality mirror glass with metal shield over back. Pencil in holder for recording service and travel data in etched spaces.



KOOL KOOSHION

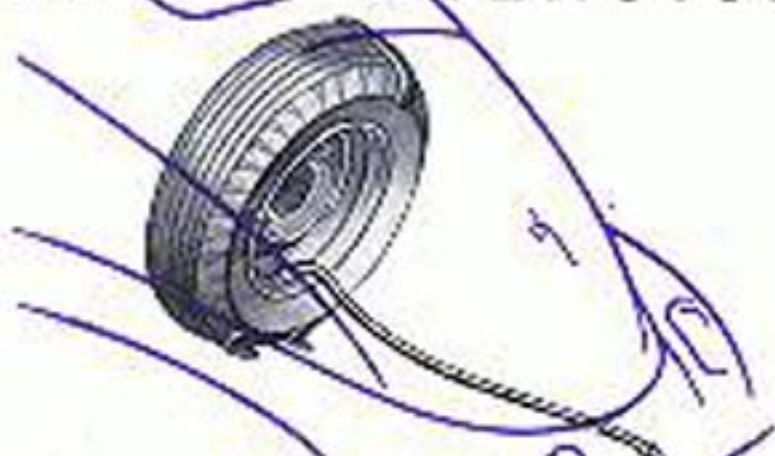
Give an air cooled ride preventing perspiration. Rust-proofed coil wire construction covered with durable, open mesh fiber in a smart Summer pattern.

ELECTRIC CLOCK



Accurate — Legible — Illuminated. Beautiful custom styling to match other instruments on the Chrysler instrument panel. Provides adjustment stem on front to make setting easier.

SPARE TIRE VALVE EXTENSION

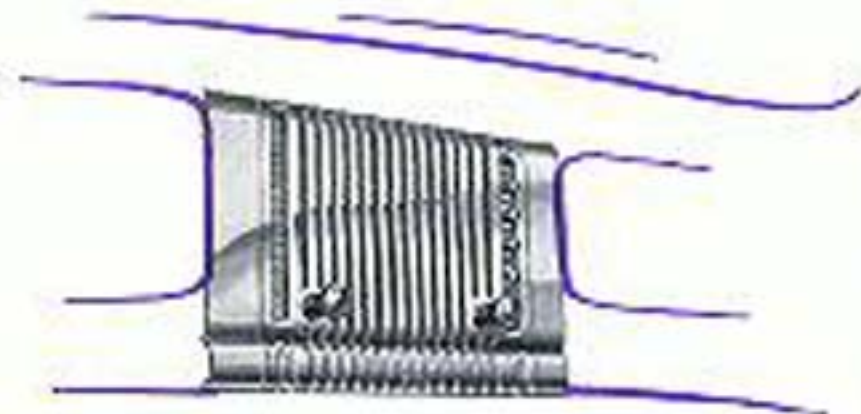


Helps assure owner of properly inflated spare — Makes it easy to check spare when checking other tires. Consists of hose and fittings for extending valve through rear apron. Eliminates unlocking and raising of rear deck lid.

CUSTOM BUILT

DE LUXE

Radio



The only radio specially built for your car. The same engineers who designed the Chrysler car designed and balanced the circuit of this radio to the Chrysler electrical system. The natural result of this custom engineering is a finer grade of performance, clearer tones and longer life.



Manual control for universal tuning.

New positive, motorless, non-mechanical push button control for selected station tuning.

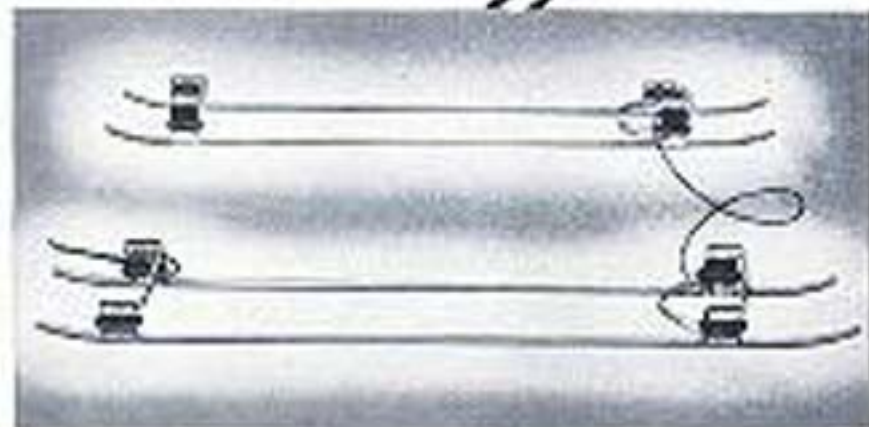


RADIO ANTENNAS

Skyway

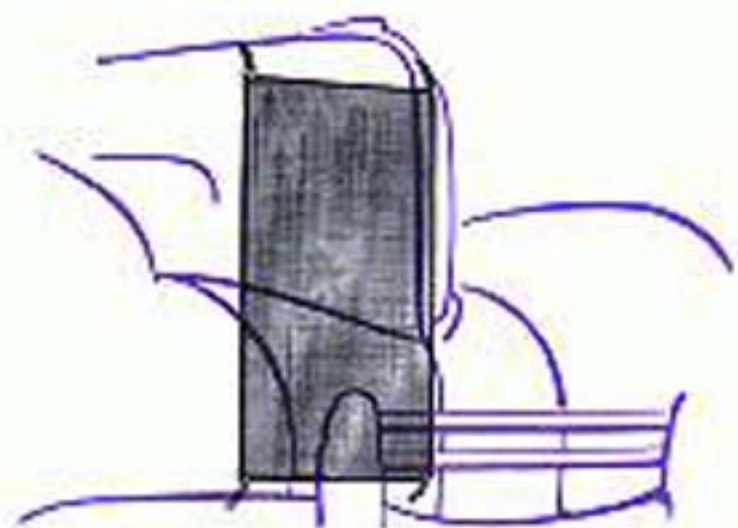
A cowl mounting unit specially balanced to the antenna circuit of the radio. Extends for better reception in areas where signals are weak. Collapses to eliminate local electrical interferences when close to the station.

Roadway



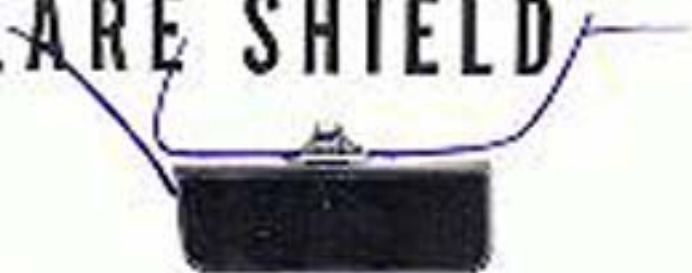
A sensitive dual antenna that conceals under both running boards and floats on rubber mountings. Shock-proof construction. Insulated against shorting out.

RADIATOR INSECT SCREEN



Concealed behind the grille. Prevents insects from collecting in radiator pores and interfering with air circulation, causing engine overheating. Custom tailoring eliminates wind-whip. Easy to install.

GLARE SHIELD



Shields eyes from direct sun, approaching headlights and glare off snow, ice and concrete pavements. A flick of the finger adjusts it to any position, front or side. Folds out of sight behind visor when not in use.

FUEL TANK

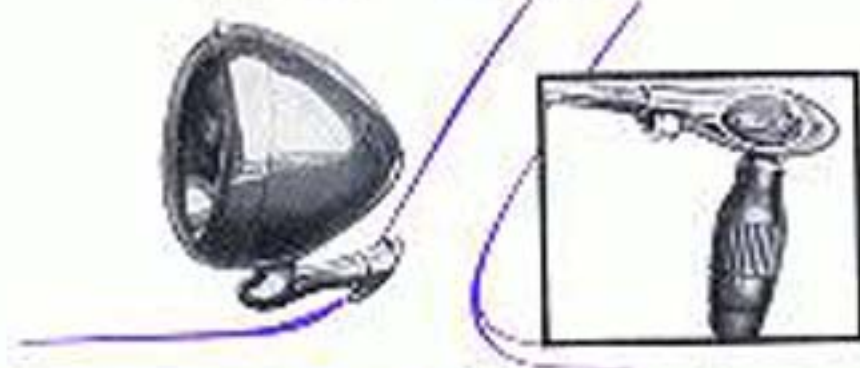
Locking Cap



Prevents theft of fuel. Restricts mileage if car is stolen. Ornamental spring cover keeps dirt and frost out of lock. Spins free when locked, can not be forced.

Two keys provided.

SPOT LIGHT



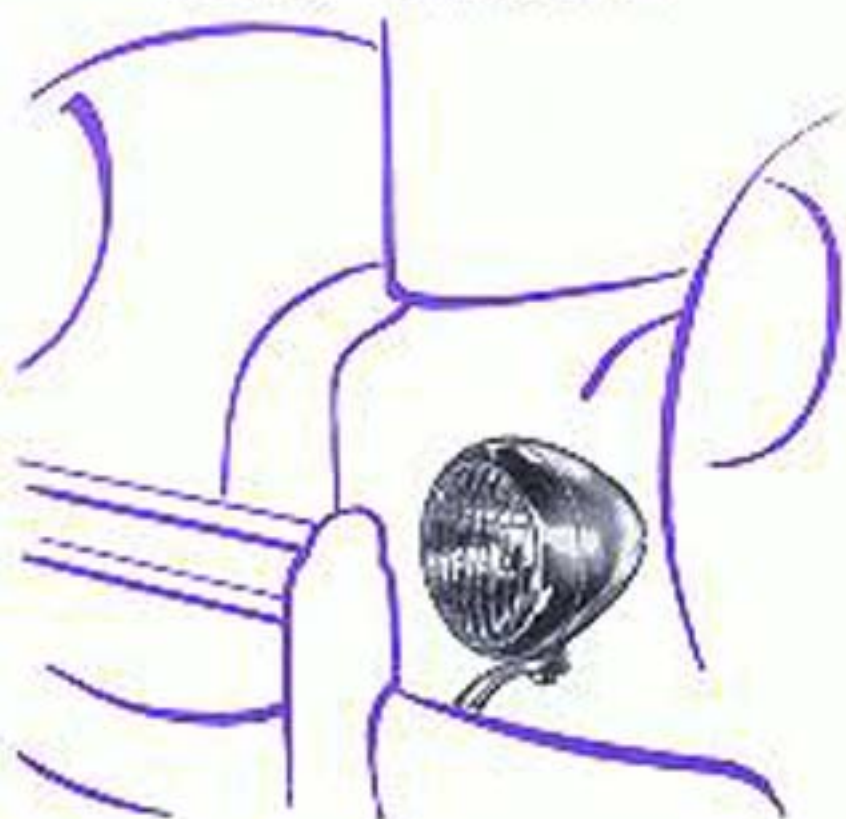
A concentrated beam for spotting hazards and signs on the highway—for reading street names and house numbers in the city. Adjustable to any position from within the car. Styled to match the Fog Lights.

TRUNK LIGHT



For lighting luggage and tool compartments of Chrysler coupes. Installs in hole provided in desk lid. A great convenience for salesmen and tourists. Self-contained switch.

FOG LIGHT



Non-reflective amber beam cast low along the road, offers better illumination for driving in fog, snow and rain storms, on dusty roads and wet or dark surfaced pavements. Chrome plated brass shell—Heavy lens. Styled to match the Spot Light.

SEAT COVERS

Aristocrat



Made entirely of beautiful, heavy fiber matting patterned in tones of tan. Edges and seams reinforced with bright red "Art leather." Preserves and protects the upholstery—Adds color to the interior. Custom fit with tailored pocket in back.

DeLuxe



Woven tan fiber on cushion and back rest—Strong contrasting Covert cloth over seat back and around cushion. Distinctive "Art Leather" piping lends style to the cover and style to the car interior. Roomy pocket in back.



SUN VISOR

Vanity Case



A handy, stylish leatherette case that contains mirror, comb, nail file, and pockets for compact, lip stick, cigarettes, road maps, etc. Clips on sun visor. Folds out of sight when not in use.

CLOCK *and* MIRROR COMBINATION



An accurate, distinctive, easily read clock with shock-proof movement. Winds by simply pulling and releasing cord. Mounted in quality, non-glare, bevelled rear view mirror.

SUPER AIRSTREAM

HOT WATER

Heater



Custom engineered and built to meet every demand for the finest in heat output and distribution. Provides special heat streams for defrosting, rear compartment heating—all without a direct blast on the passenger. (New Fresh Air Attachment can be hooked-up with this heater).

CANADIAN TYPE



TRI AIRSTREAM

HOT WATER

Heater



Distributes heat throughout the car. Specially designed louvers protect front seat passenger from direct heat. Auxiliary heat outlets for defrosting and rear compartment heating and driver's foot warming. (Designed for use with Fresh Air Attachment.)

TRI AIRSTREAM

HOT WATER

Heater

Unique engineering design conserves leg room and assures maximum use of the heating core in producing warmth and comfort. No blast on passenger. Provision for defrosting and rear compartment attachment hookups.

DELUXE AIRSTREAM

HOT WATER

Heater



- Efficient—Compact—Attractive •

An engineering triumph in the popular price field. Features heat distribution, not concentration on the front seat passenger. Provides separate heat streams for defrosting, rear compartment heating and for driver's and passenger's foot warming.

AUTOMATIC HEAT CONTROL

Switch

Automatically turns the hot water heater on and off to maintain the car temperature you desire.



DUO AIRSTREAM

HOT WATER

Heater



Allows one-third more leg room than conventional heaters. Distributes heat at top, sides and bottom with no direct unpleasant flow onto passenger. Special outlet for connection with defrosting attachment.

STANDARD AIRSTREAM

HOT WATER

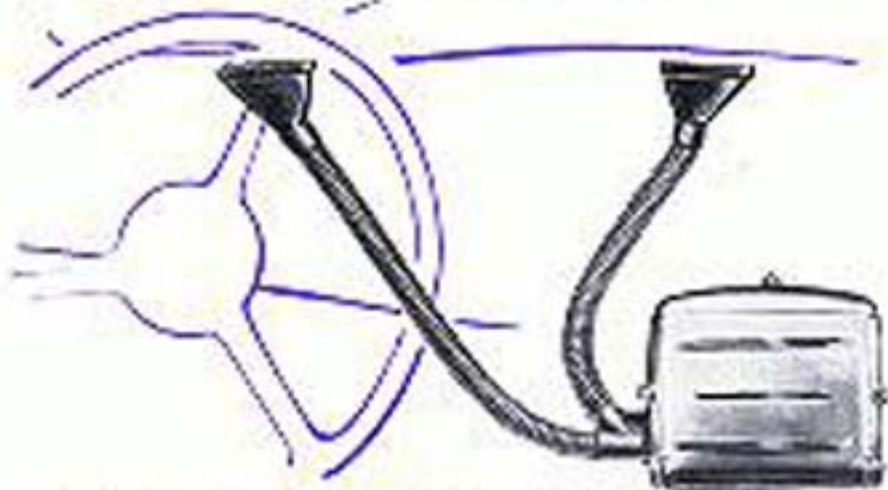
Heater



Performance and appearance that you would more reasonably expect to find in a much higher priced unit. Two-way deflector doors.

WINDSHIELD DEFROSTING

Attachment



Conducts warm air from the heater to the windshield. Removes mist, frost, ice. Provides clear vision for safer driving. Operates with Super, Tri, Canadian type Tri, Deluxe and Duo Airstream Custom Built heaters.

HEAT BOOSTER

Peak heater output in less than a minute from cold starts on cold mornings. Sustained heat at road speeds.



FRESH AIR

Attachment



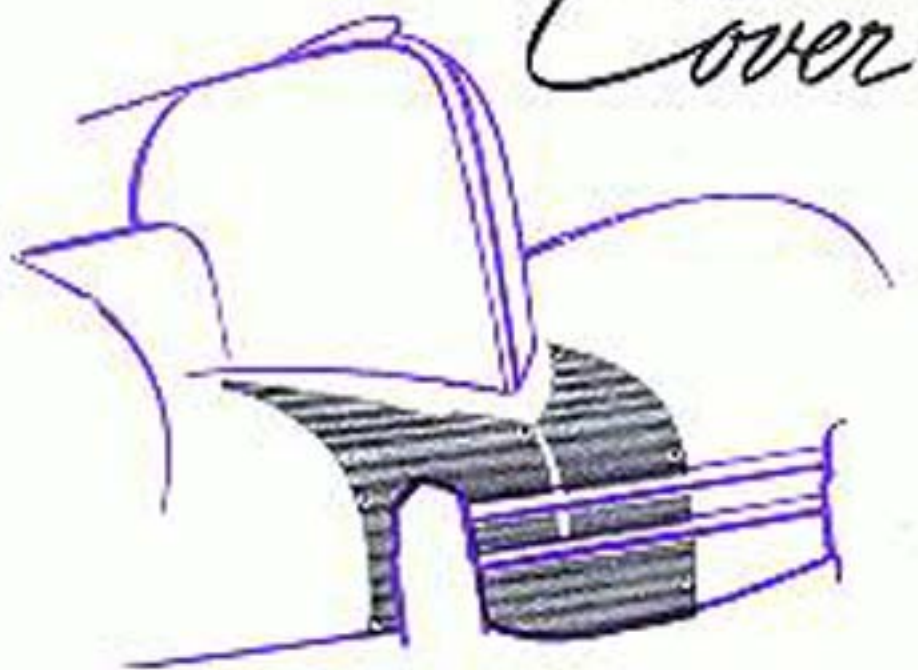
Provides for distribution of healthful, invigorating heated air. Helps prevent steaming of windows and windshield. Creates inside pressure to eliminate drafts. In no way interferes with regular use of cowl ventilator.

REAR COMPARTMENT

Attachment

Still greater comfort for those who ride in the back seat. Conducts forced air from heater onto rear floor creating circulation of heat around the passengers' feet.

RADIATOR GRILLE *Cover*



Stops rush of cold air through the radiator. Prevents freezing, speeds engine warm-up. Shields the carburetor and manifold to give better combustion effecting fuel savings, preventing oil dilution and engine wear. Rubber coated to resist action of road chemicals. Custom fit.

GRAVEL *Deflector*



Protects body and fender finish from gravel rebounding off inside of bumper. Jointed and designed with clearance to permit flexing of bumper. Rust and rattle-proof. Black finish.

DELUXE *Steering Wheel*



A colorful addition in bright chrome and rich "Sorrel Tan" composition. Replaces the horn button with a ring that recesses neatly into the curve of the banjo spokes.

WHEEL TRIM RINGS



Polished, chip-proof, rustless steel rings that give a trim appearance to the wheel. No interference with wheel changing — no rattle — no danger of coming loose on road.

WHEEL DISCS

Sparkling chrome plated fluted discs add dressiness, not only to the wheel but to the whole car. Can be kept bright by wiping with a dry cloth. Fast, rattle-free installation.



WHEEL SHIELDS



An accessory that adds color to an otherwise uninteresting spot. Compliment the modern streamlined body design.

Require no attaching brackets.

EXHAUST EXTENSION



Just as practical as it is dressy. Deflects exhaust gas downward. Prevents discoloration of body and bumper. Built-in baffle protects and keeps the chrome plating bright.

LICENSE TRIM FRAMES



Bright chrome—Hides rusty, unfinished edges and neutralizes clash in color between car and plates. Adjustable to fit all sizes. Easy to transfer when the plates are changed.



PROTECTIVE



AUTOMOBILE POLISH

Simply apply—let dry—wipe off. No hard rubbing—no harsh abrasives.



PASTE CLEANER

Properly prepares surface for satisfactory application of wax or polish.



GLASS CLEANER

Quickly cuts grease, etc. Makes glass and tile sparkle.



ANTI-FREEZE

Safe—Resists evaporation and corrosion. Gives off no poison fumes.

MATERIALS



AUTO WAX

One application protects the finish and color for an entire season.



SUPER GLAZE

Imparts a lasting luster. Protects color and finish against weather.



FABRIC CLEANER

Removes paint, grease, gum, etc., from upholstery and other fabrics.



RUST RESISTOR

Assures better circulation. Protects water jacket walls against rust.



INDEX

PAGE	ACCESSORY	LIST PRICE	INST. PRICE
9	Antenna, Roadway	\$6.25	
9	Antenna, Skyway	3.50	
7	Clock, Electric		
	Clock	9.75	
	Door	4.25	
17	Clock-Mirror Combination	3.95	
27	Exhaust Extension	1.00	
13	Fog Light—Pair	12.00	
11	Fuel Tank Locking Cap	1.50	
10	Glare Shield	1.00	
25	Gravel Deflector	2.85	
24	Grille Cover, Radiator Heaters	1.75	
21	Standard Air	9.95	
21	Duo Air	12.95	
20	DeLuxe Air	15.95	
19	Tri Air (Canadian)	17.45	
19	Tri Air (Regular)	18.95	
18	Super Air	21.95	
	Heater Attachments		
20	Auto. Heat Control Switch	1.95	
23	Fresh Air Attachment	5.45	
		and 5.70	
22	Heat Booster	6.60	
23	Rear Compartment Attach. for Heaters	6.50	
22	Windshield Defrosting Attachment	3.50	
10	Insect Screen	.75	
6	Kool Koshion	2.95	
27	License Trim Frames—Pair	1.50	
	Protective Materials		
28	Anti Freeze—Eastern Prices Quart	.25	

INDEX



PAGE	ACCESSORY	LIST PRICE	INST. PRICE
	Protective Materials—		
	Cont'd		
29	Fabric Cleaner		
	Pint	.55	
28	Glass Cleaner		
	10 oz. Can	.35	
28	Paste Cleaner—13 oz. Can	.50	
28	Automobile Polish		
	Pint	.50	
29	Radiator Rust Resistor		
	Pint	.40	
29	Super Glaze		
	Pint	.95	
29	Auto Wax—8 oz. Can	.50	
8	Radio—DeLuxe Push Button Type	47.50	
5	Rear View Mirror—		
	Outside	1.95	
	Seat Covers		
14	Aristocrat	14.75	
		up	
15	DeLuxe	9.00	
		up	
7	Spare Tire Valve Extension	1.00	
12	Spotlight	14.50	
25	Steering Wheel—De Luxe	12.50	
16	Sun Visor Vanity Case	2.50	
12	Trunk Light	1.25	
4	Vanity Mirror—Illuminated Less batteries	1.75	
5	Vanity Mirror—Visor	1.00	
26	Wheel Discs—Each	2.00	
26	Wheel Shields—Prime	8.25	
26	Wheel Trim Rings—Each	1.60	