



1 9 9 2  
CHRYSLER

LEBARON CONVERTIBLE • LEBARON COUPE • LEBARON SEDAN

## CONTENTS

SAFETY	
<i>The advantage of your life .....</i>	<i>4</i>
ENGINEERING	
<i>Advanced technology for the '90s.....</i>	<i>5</i>
CHRYSLER LEBARON CONVERTIBLE	
<i>Open-air enchantment.....</i>	<i>10</i>
CHRYSLER LEBARON COUPE	
<i>Eye-catching performance.....</i>	<i>18</i>
CHRYSLER LEBARON SEDAN	
<i>Four-door distinction.....</i>	<i>26</i>
QUALITY ASSURANCE	
<i>Details that make the difference.....</i>	<i>34</i>
FEATURES, OPTIONS, COLORS, INTERIORS.....	36
SPECIFICATIONS	
<i>Standard and optional equipment .....</i>	<i>38</i>

*ABOUT THIS CATALOG.* Since the time of printing, some of the information you'll find in this catalog may have been updated. Ask your dealer for details.

*Some of the equipment shown or described throughout this catalog is available at extra cost.*

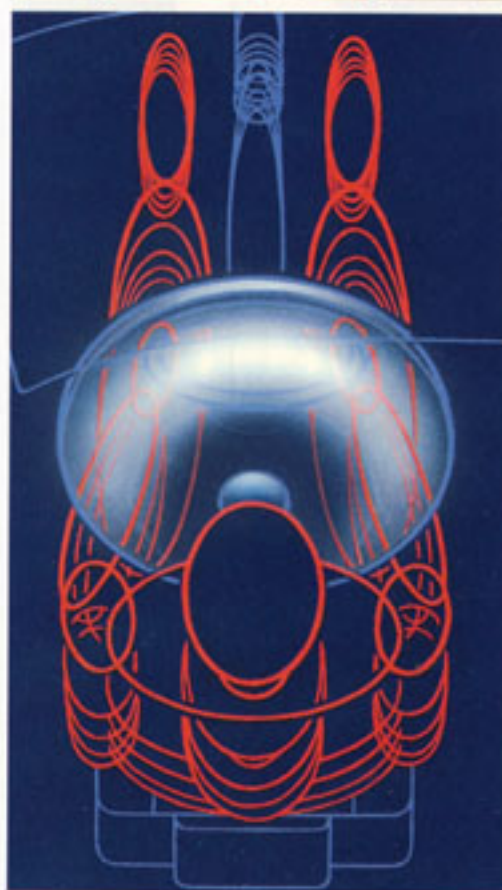


LeBaron LX Convertible, shown in Aqua Pearl Coat.

## Chrysler LeBarons. The perfect balance between self-indulgence and common sense.

When it comes to engineering, Chrysler's reputation as a technological pioneer stands alone. Today, safety and quality are the governing priorities for every Chrysler-engineered automobile. And our determination to engineer *luxury* automobiles is as strong as our commitment to safety... the perfect balance between self-indulgence and common sense.

The result of our commitment to engineering is an impressive list of protective advantages for drivers and passengers of Chrysler-built automobiles. Those advantages start with the driver-side air bag that is



standard on every Chrysler Division passenger car Chrysler Corporation builds in the U.S. But air bags are only the beginning of our commitment to safety engineering. And the end is nowhere in sight.

The same tradition of engineering excellence that has made Chrysler products safer has also advanced their quality... through the continued technological improvement of materials and manufacturing methods, and through the comfort-oriented engineering that has made the name of Chrysler synonymous with luxury.

Simulated air bag deployment shown.

# Safety. The Advantage Of Your Life.

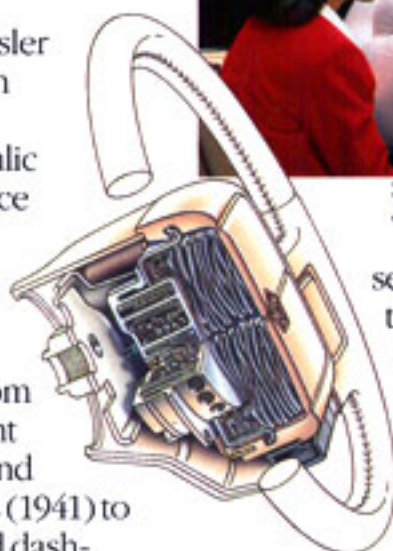
The very first Chrysler was equipped with the advantage of four-wheel hydraulic brakes in 1924. Since then, Chrysler Engineering has been a leading pioneer of automotive safety—from safety-padded front seatbacks (1937) and Safety-Rim wheels (1941) to a safety-cushioned dashboard (1949), four-wheel disc brakes (1950) and front shoulder safety harnesses (1966). And, for 1992...

## Form Follows Safety.

Utilizing aerospace technology and principles, Chrysler engineers pioneered the extensive use of air bags. Every Chrysler Division passenger car Chrysler Corporation builds in the U.S. is equipped with a driver-side air bag (A). All Chrysler air bag systems are factory-certified and feature gold-plated terminals to resist corrosion, humidity-sealed sensors and connectors to prevent the entry of moisture, soldered terminal grips to guarantee conductivity and neoprene-coated



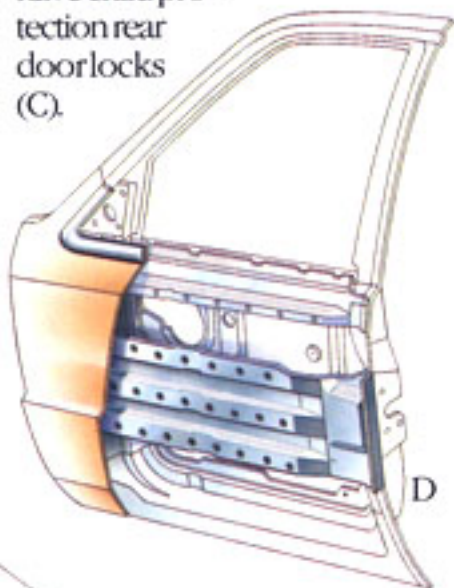
Simulated air bag deployment shown.



sewn nylon bags to protect against deterioration. The air bag, in combination with a lap/shoulder belt, is one of

the best driver protection systems available.

Three-point Unibelt restraints (B) are provided for front and rear outboard passengers on all LeBarons. This safety device employs a one-piece lap and shoulder belt—the safety belt retractor locks instantly during severe deceleration of the vehicle or in a collision. LeBaron Sedans also have child protection rear doorlocks (C).



C



B

# Advanced Engineering. Advantage: Chrysler

## LeBaron Engineering Features

The designed-in safety and reliability, which you expect, and the luxurious amenities, which you desire, are the work of the people who engineer your car. Chrysler engineers work to achieve the best overall combination of components that make up every 1992 Chrysler LeBaron Convertible, Coupe and Sedan. Because for over 65 years, Chrysler Engineering has maintained a tradition of progressive automotive engineering excellence.

1. Supplemental driver-side air bag is located in a module at the center of the steering wheel. It is designed to activate when sensors detect a frontal collision of more than 12 mph.

2. Powerful 3.0-liter V6 engine now features sequential multipoint fuel injection, which allows for a smooth,

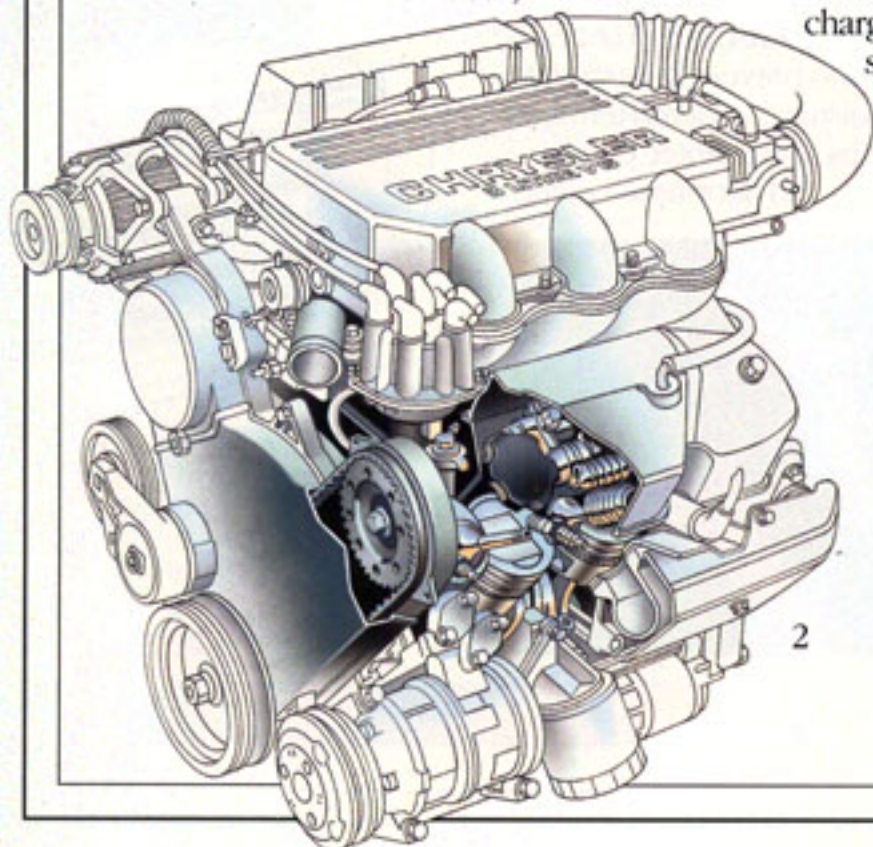
steady idle by injecting the fuel directly into each cylinder port at the exact time it is needed. This advanced V6 power plant is equipped with a tuned intake manifold and overhead camshafts to readily deliver 141 horsepower at 5,000 rpm and 171 lb-ft of torque at 2,800 rpm.

3. High-torque 2.5-liter single overhead camshaft, sequential multipoint fuel-injected turbocharged engine produces 211 lb-ft of torque at 2,800 rpm for low-speed boost, and 152 horsepower at 4,800 rpm for high-revving dash. Dual counterrotating balance shafts ensure smooth, precise operation.

4. Front-wheel drive provides superb directional stability and all-weather traction, along with maximum interior roominess and space efficiency.

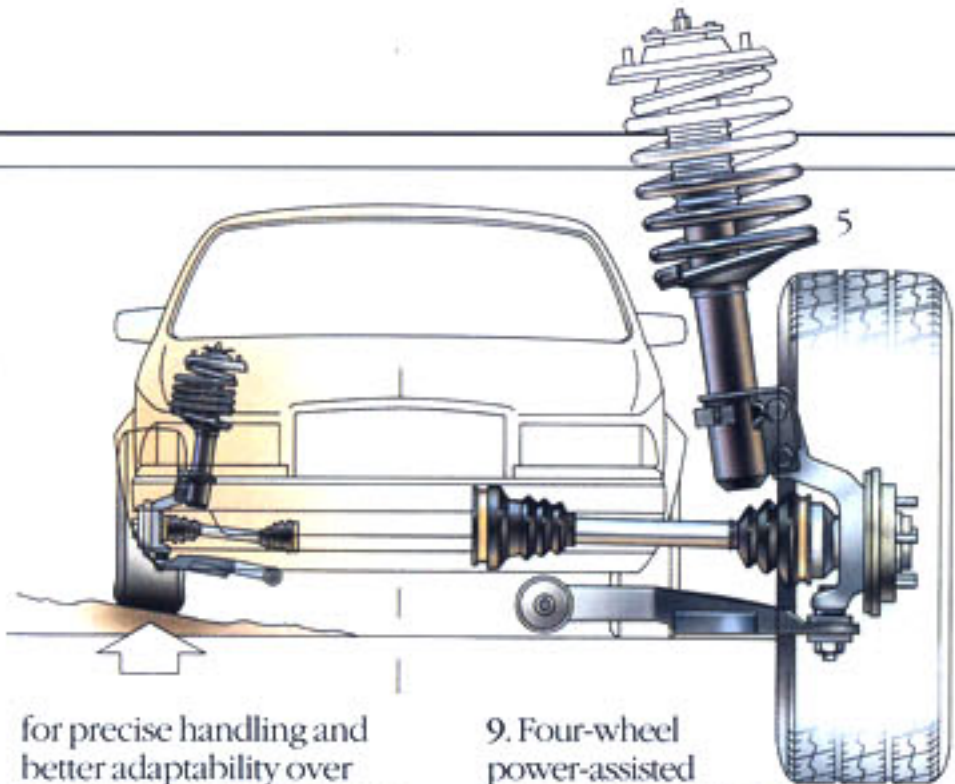
5. Performance handling suspension includes upgraded spring rates, gas-charged front Iso-Struts and gas-

charged rear shocks



2

# Safety Through Engineering



for precise handling and better adaptability over most road surfaces. For optimum cornering control and steering response, this sports-car-like suspension is also equipped with larger diameter front and rear anti-sway bars.

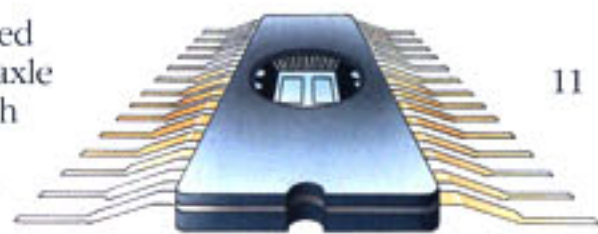
6. Road touring tuned suspension utilizes position-sensitive gas-pressurized front suspension struts and gas-pressurized rear shock absorbers for a smooth, luxurious ride.

7. High-output five-speed manual overdrive transaxle transmits power through a heavy-duty gearset to produce quick acceleration response and feel. All forward gears are synchronized for precision-smooth, short-stroke shifting.

8. Computer-controlled four-speed automatic overdrive transaxle features fully adaptive electronic controls that respond with exceptional smoothness to varying driving conditions.

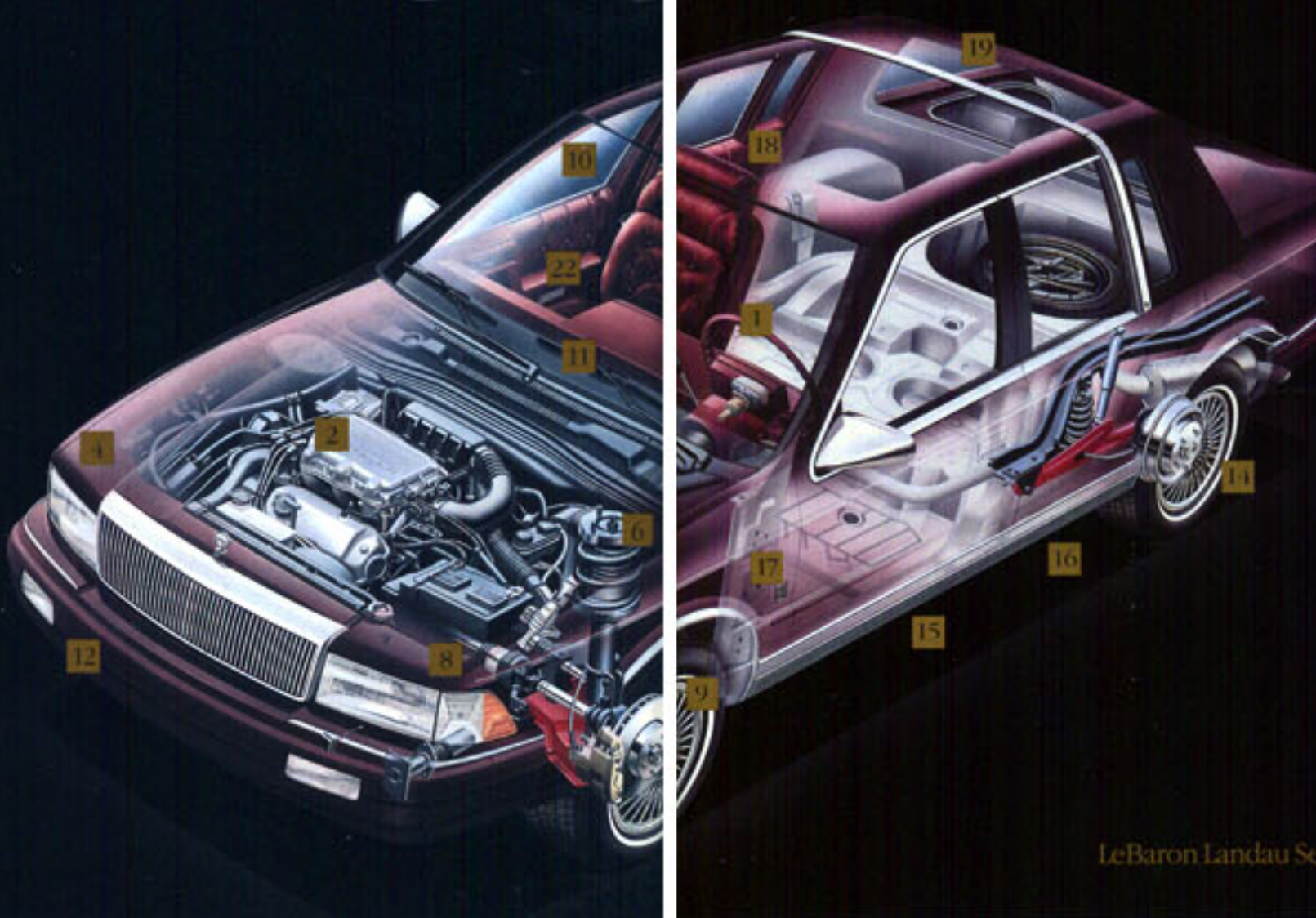
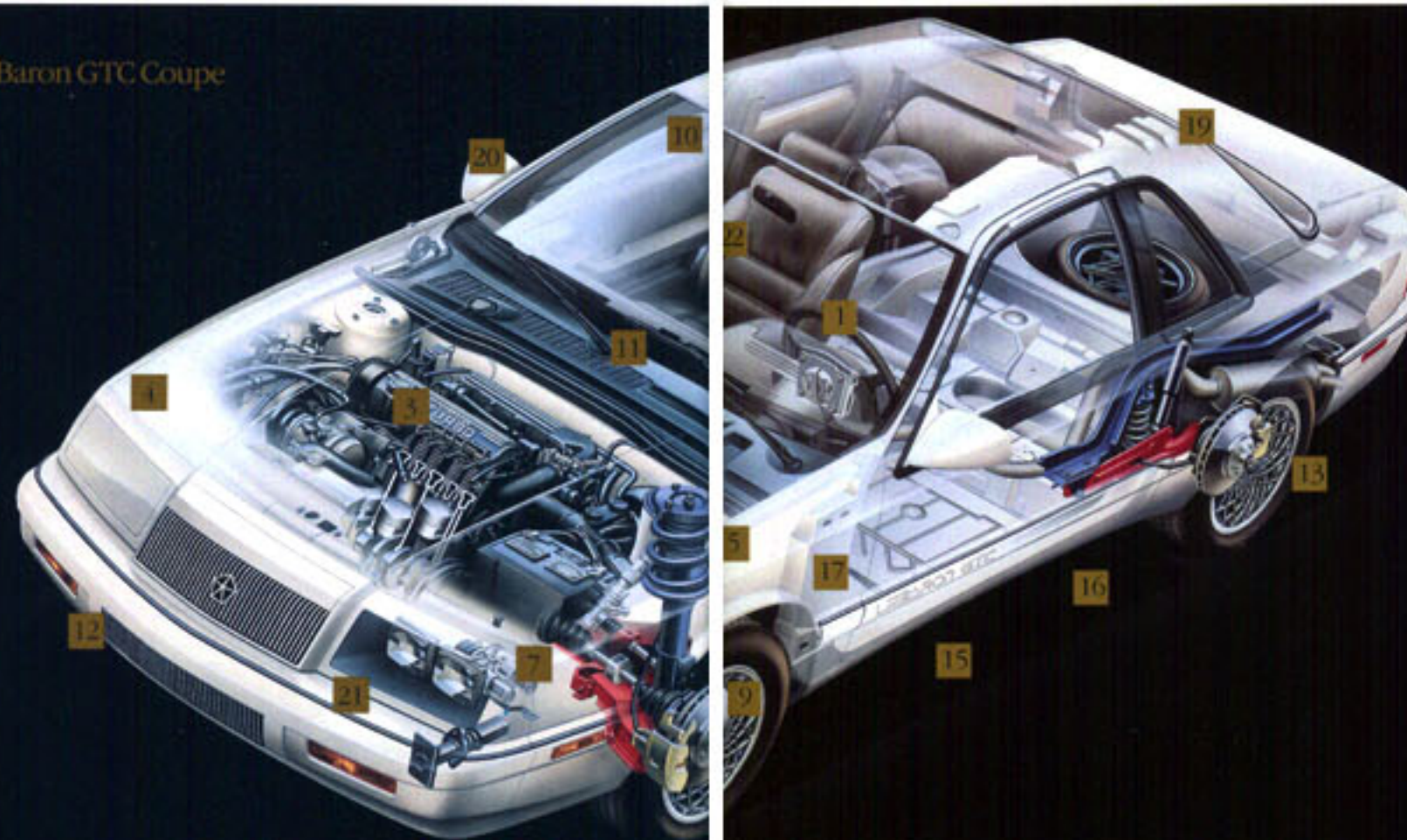
9. Four-wheel power-assisted antilock disc brake system is equipped with a micro-processor and speed sensors to counteract potential lock-up during heavy braking, which helps prevent skidding and allows the driver to maintain steering control.

10. Heat-reflecting tinted glass windows reduce glare and help improve interior temperature control.



11. C<sup>2</sup>D<sup>®</sup> multiplex electrical system is a sophisticated communication network of microcomputers at the forefront of automotive technology. Utilizing just two wires, this patented Chrysler system allows the various electronic micro computer modules on the

LeBaron GTC Coupe



LeBaron Landau Sedan

vehicle to "talk" to each other. The coordinated decisions that are made help ensure occupant safety, comfort and convenience, improve economy, enhance performance and reduce emissions.

12. Energy-absorbing front and rear bumper systems.

13. Sixteen-inch color-keyed cast aluminum road wheels are lightweight, corrosion-resistant and fit with P205/55R16 steel-belted radial all-season performance tires.

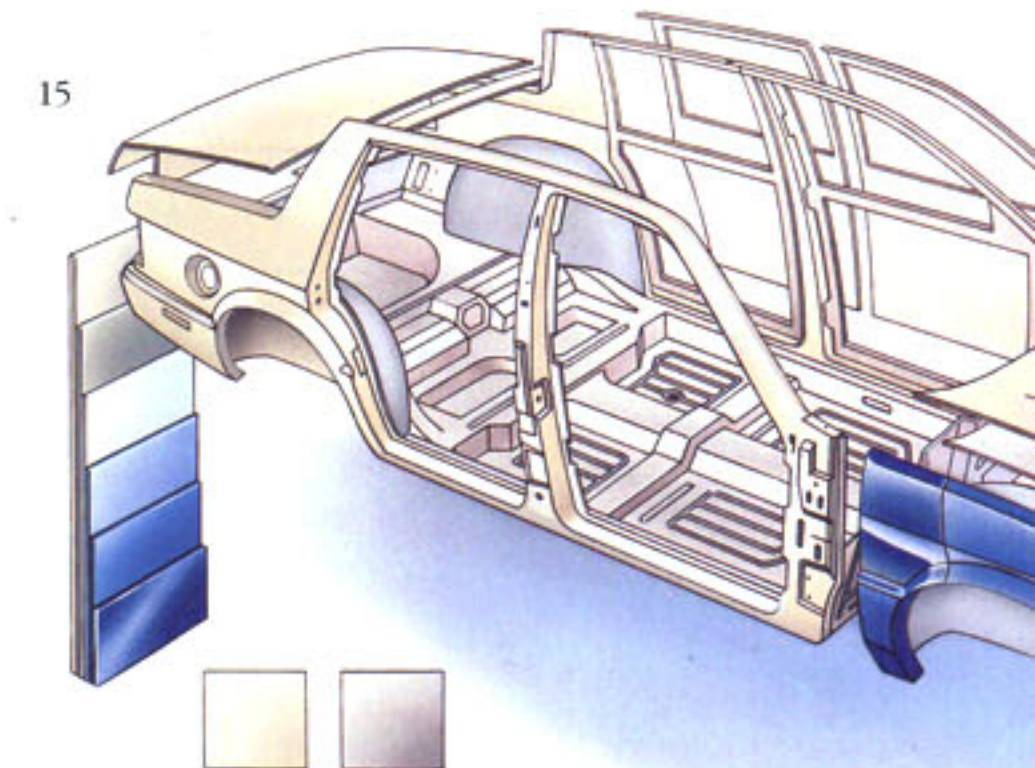
14. Available P195/70R14 steel-belted radial all-season whitewall tires are fashioned with 14-inch premium wheel covers and contribute to splendid road manners.

15. Galvanized steel, anti-chip protective coatings, zinc-rich primers and electroplated paints offer

superior resistance to corrosion. Two applications of special Clear Coat finish produce a high-gloss lustre and protect against abrasion, weathering and chemicals. And every LeBaron is backed with a Chrysler Corporation Limited Warranty (see your dealer for more details).

16. Unibody construction creates solid-strength passenger compartment safety and vehicular structural integrity — body sheet metal and frame members are welded into one sturdy unit.

17. Sound-deadeners, baffles, isolators, seals, silencers and an extensive amount of acoustic cavity stuffers and mastic patches have been placed strategically to ensure the highest degree of interior serenity. Noise, vibration and harshness are eliminated at their source,



resulting in the quietest cars ever in Chrysler's history.

18. Child protection rear door locks help safeguard children.

19. Electric rear window defroster removes mist and frost at the touch of a switch to improve rearward visibility.

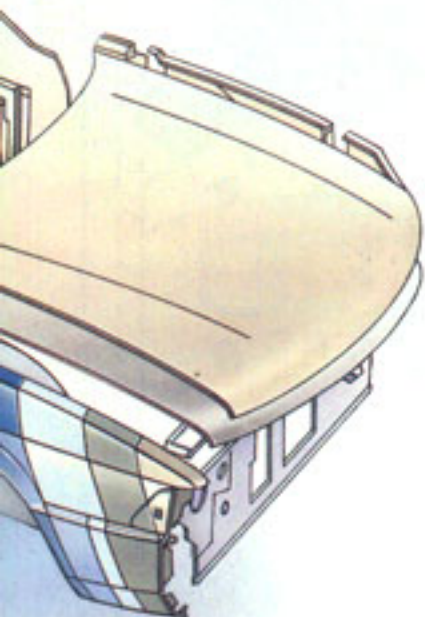


17

20. Dual power remote control heated exterior rear-view mirrors can be moved up and down or side to side for precise positioning. The heating elements go on whenever the electric rear window defroster is activated.

21. Automatic headlight time-delay system adds the security of headlight illumination for up to 60 seconds, when leaving your car in an unlighted area or in the dark of night.

22. Door courtesy lights help alert drivers in other cars that a door is open.



The availability of the equipment shown or described varies by model. See pages 38-42 for a complete listing of equipment availability and technical specifications.

F



To better guard you in a lateral impact, every LeBaron is reinforced with steel side-door beams (D). And to better guard your LeBaron while you're away from it, Chrysler's Electronic Vehicle Security System (E) is available. This state-of-the-art alarm has been engineered for passive operation and includes an LED status monitor, valet override, last-door arming, automatic re-arming and soft-tone audible arming indicator (dealer-installed).

#### Safety That's Out Of Sight.

Chrysler cellular phone systems deliver convenient communication and are engineered for compatibility with your LeBaron. Choose the revolutionary Visorphone® (F) to make and take calls without diverting attention

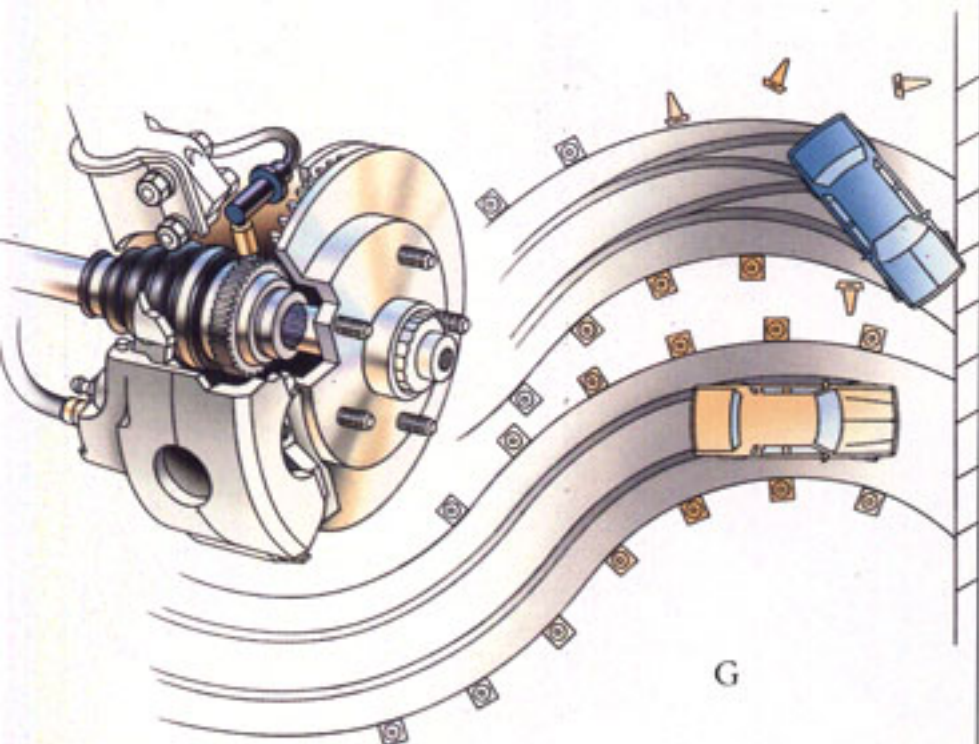


E

from the road. Or, for light-weight compactness, there's a rugged 18.5-ounce Portable phone.

Helping to maintain steering ability and prevent wheel lockup during severe braking, Chrysler's available four-wheel antilock disc brake system (G) is tuned to the particular characteristics of each LeBaron model. Special wheel speed sensors detect impending lockup, then the system's microprocessor selectively adjusts braking pressure up to 15 times per second. If one front wheel starts to lock, only pressure to that brake is reduced. If either rear wheel begins to lock, pressure to both rear brakes is reduced.

\*Visorphone is a registered trademark of Cartell, Inc. See page 43 for warranty details. (Visorphone is only available on LeBaron Sedan models.)



G



## LeBaron LX Convertible

Chrysler engineers were among the pioneers of America's first convertibles in 1927. Chrysler Corporation has since sold more convertibles than any other company in the world.\* And Chrysler LeBarons continue to be the only American-

built convertibles in their class *designed, engineered and manufactured to be convertibles from the ground up.* LeBaron Convertibles aren't production coupes with cut-off tops; structural integrity is maintained, for smooth, quiet performance—



top up or top down. A driver-side air bag is standard, four-wheel antilock disc brakes are available, and every LeBaron now has rear seat Unibelt restraints that combine lap and shoulder belts.

**Advantage: Integrity**

*\*Based on total sales 1982-present.*



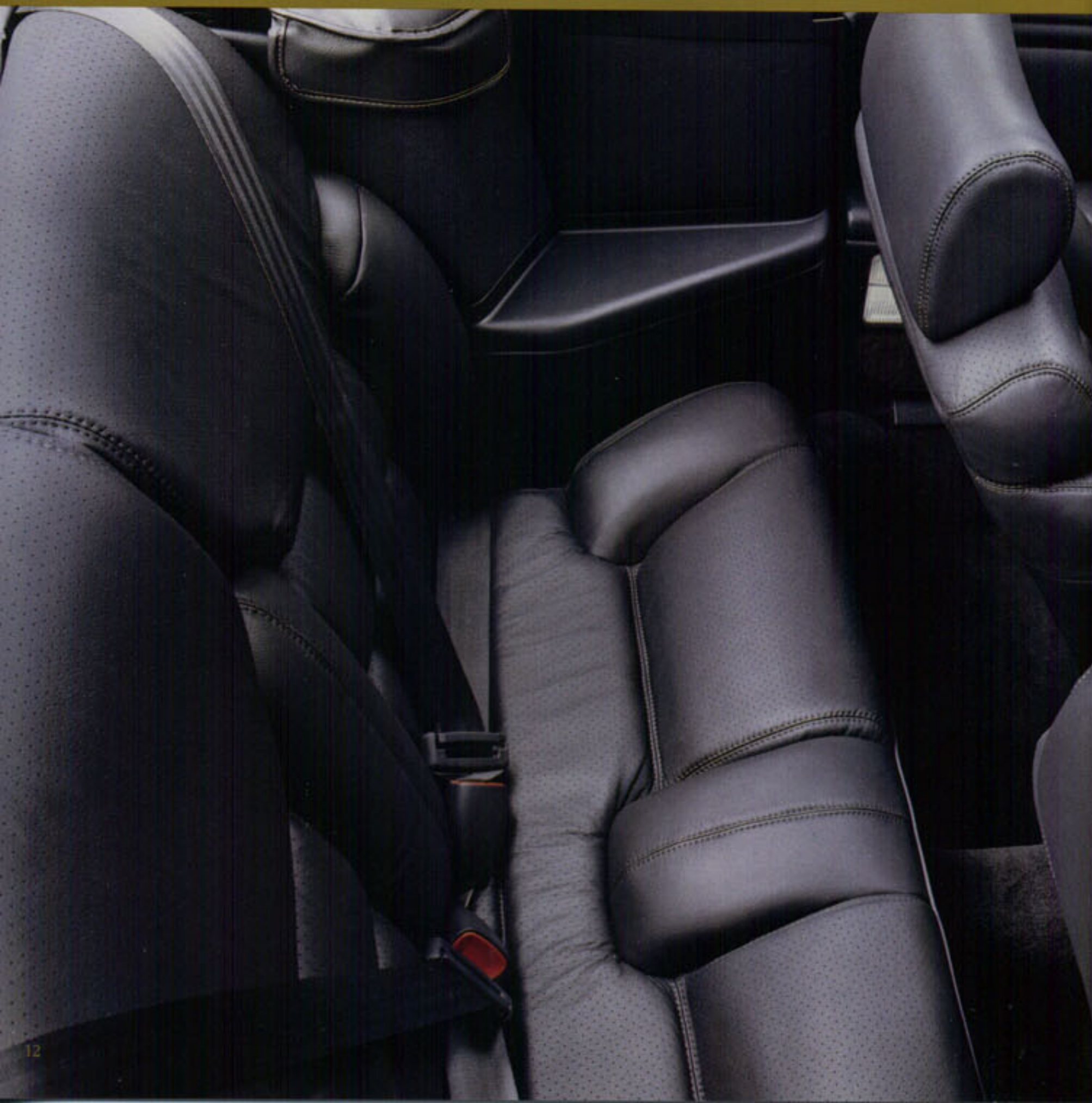
LeBaron LX Convertible, shown in Light Blue Satin Glow.  
Above: LeBaron LX Convertible standard rear Unibelt restraints.

## LeBaron LX Convertible

Equipped with a leather-with-vinyl-trim interior and a leather-wrapped steering wheel, LeBaron LX Convertible epitomizes open-air luxury. LeBaron LX also features a sequential multipoint fuel-injected V6 power plant, eight-way power-

adjustable driver's seat, power windows, automatic power door locks, dual power remote control heated exterior mirrors and a power top — which retracts in seconds at the touch of a button. A driver-side air bag, air conditioning, electronic

speed control and a tilt steering column are standard, too. For superior stereo sound, the optional Infinity RS audio system utilizes 10 scientifically placed speakers and a 120-watt amplifier located in the trunk. Advantage: Enchantment



LeBaron LX Convertible standard leather-with-vinyl-trim interior, shown in Dark Gray. Above: LeBaron LX Convertible full-length, Euro-style center console.

## LeBaron GTC Convertible

Take advantage of the only convertible in its class with an available turbocharger. Chrysler LeBaron GTC Convertible offers you the 152-horsepower output of an available high-torque 2.5-liter sequential multipoint fuel-injected turbo engine. It's

backed with proven reliability from the world leader in the production of turbocharged vehicles. Ensuring efficient and consistent fuel delivery under all operating conditions, the Chrysler-engineered turbocharger also provides on-



demand low speed boost and fast linear throttle response for exceptional acceleration and passing quickness. And LeBaron GTC now sports a new, European-inspired red and amber wide taillight treatment. Advantage: Turbocharging



LeBaron GTC Convertible, shown in Black Clear Coat.  
Above: LeBaron GTC Convertible available 2.5-liter SOHC SMPI turbocharged engine.

## LeBaron Highline Convertible

Chrysler Engineering introduced the first American-made, power-operated convertible top in 1939. That achievement was followed in 1941 by another made-in-America first—lowerable rear quarter windows on convertibles. The

1992 LeBaron Convertibles have power windows and a fully lined, weatherproof power top with a scratch-resistant glass rear window and electric defroster. And on the LeBaron Highline Convertible, Chrysler offers an attractive, new Sport



Package. Along with lace wheel covers, this expressive exterior upgrade package includes body-colored fascias, upper and lower grille, nerf extensions and narrow bodyside molding for a bold monochromatic appearance.  
**Advantage: Refinement**



LeBaron Highline Convertible, shown in Radiant Red Clear Coat.  
Above: LeBaron Highline Convertible, shown in Bright Silver Metallic Clear Coat.

## LeBaron LX Coupe

LeBaron LX Coupe is the only car in its class with a 3.0-liter overhead cam, sequential multipoint fuel-injected V6 engine and computer-controlled four-speed automatic overdrive transaxle as standard equipment. For

smooth operation, Chrysler's advanced engine-control computer continuously monitors fuel delivery, idle speed, ignition timing and emissions devices. LeBaron LX also features safety and luxury advantages, including

a driver-side air bag, premium cloth front bucket seats, air conditioning, electronic speed control, power windows, automatic power door locks and available four-wheel antilock disc brakes.  
**Advantage: Sophistication**



LeBaron LX Coupe, shown in Radiant Red Clear Coat.  
Above: LeBaron LX Coupe standard premium cloth interior, shown in Dark Gray.

## LeBaron GTC Coupe

An alluring monochromatic color scheme enhances LeBaron GTC's aggressive stance and sculpted bodywork, which includes new door and deck lid stylized identification graphics. The available GTC Performance Package is

equipped with a high-torque 2.5-liter sequential multipoint fuel-injected turbocharged engine, heavy-duty five-speed manual transaxle and performance handling suspension with upgraded struts and shocks. The package also contains

new 16-inch color-keyed cast aluminum road wheels and performance cloth front bucket seats featuring a 12-way power-adjustable driver's seat—sporting motorized back wings and inflatable lumbar support. Advantage: Performance



LeBaron GTC Coupe with available GTC Performance Package, shown in Black Clear Coat. Above: LeBaron GTC Coupe available leather-with-vinyl-trim interior, shown in Dark Gray.

## LeBaron GTC Coupe

Ergonomics drove the design of LeBaron's wraparound instrument panel—all surfaces and components have been integrated into a corresponding, driver-oriented setting. Analog electromechanical gauges are arranged in logical

order and contain bright red indicators, guaranteeing accurate reads. Switches and controls are user-friendly and impart a precision feel. Even the full center console is angled to allow easier access. For carrying long objects, either

portion of LeBaron GTC's 60/40 split rear seatback can be folded forward individually, or they can be lowered simultaneously. And both sections of the seat are lockable to prevent unauthorized entry. Advantage: Ergonomics



LeBaron GTC available analog electromechanical instrumentation. Above: LeBaron GTC Coupe standard 60/40 split fold-down rear seatback.

## LeBaron Highline Coupe

For a stunning monochromatic look, enrich your 1992 Chrysler LeBaron Highline Coupe with the show car-like advantages of a Sport Package option. It's available in new Aqua Pearl Coat and Radiant Red, Bright White or Black Clear Coat

exterior colors. Special Sport Package exterior accents include 14-inch lace wheel covers and color-keyed upper and lower grille, deck lid and grille Pentastar medallions, front and rear fascias, narrow bodyside molding and nerf extensions.



Combined with striking red and black strobe-effect taillights, the package's Gloss Black side window trim, rear window edging and taillamp moldings help create eye-catching exhilaration.  
**Advantage: Excitement**



LeBaron Highline Coupe with available Sport Package, shown in Bright White Clear Coat.  
Above: LeBaron Highline Coupe, shown in Light Champagne Metallic Clear Coat.



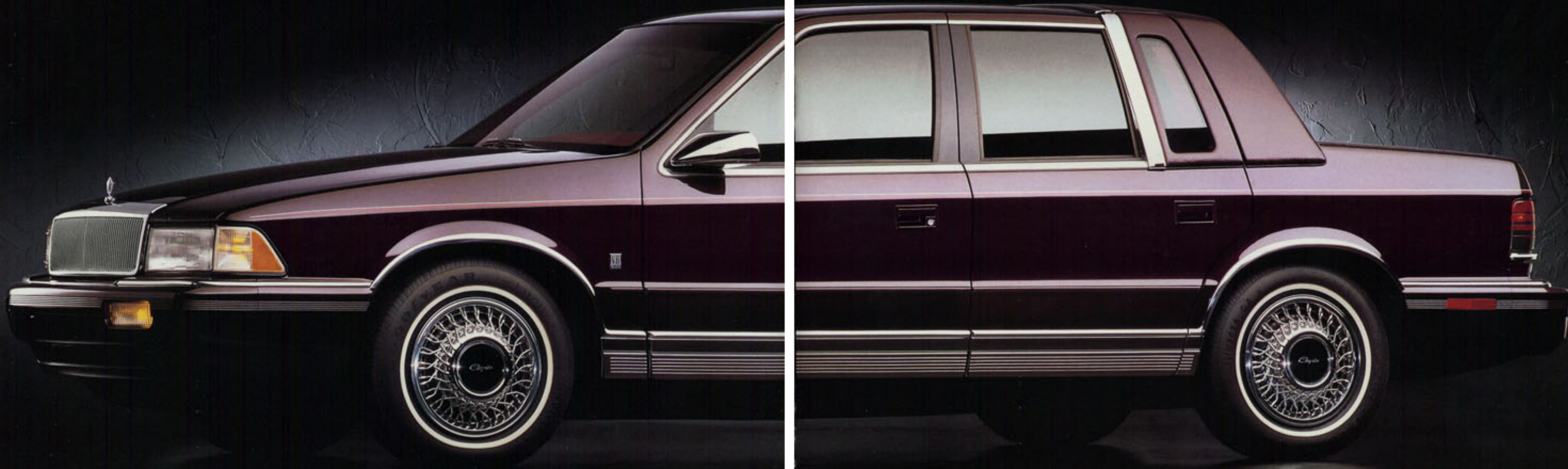
# LeBaron Landau Sedan

LeBaron Landau Sedan's handsome styling cues recall the glory of the legendary LeBaron coachworks. Up front, a translucent Pentastar crystal hood ornament leads the way and bright ornamentation is clearly evident in the trademark

waterfall grille. Exterior design features for the sides include bright dual mirrors, bright lower bodyside cladding with argent accents and two-tone dual pinstriping. Stately 14-inch wire wheel covers are available. The padded vinyl



landau roof adds a touch of class and is complemented with distinctive quarter windows. Backup lights are isolated and full-width taillights incorporate a large reflector area for night and day safety. Advantage: Distinction



LeBaron Landau Sedan, shown in Black Cherry Pearl Coat.  
Above: LeBaron Landau Sedan, shown in Bright White Clear Coat.

## LeBaron Landau Sedan

Fully adorned in an available leather-with-vinyl trim, LeBaron Landau's spacious interior is enhanced with fine woodgrain appliques and an available electronic instrument cluster. Air conditioning, electronic speed control, tilt

steering column, door courtesy lights, child protection rear door locks and a driver-side air bag are just a few of Landau's standard assets. Chrysler's patented three-speed automatic transaxle and 2.5-liter electronically fuel-injected



engine team up to give you spirited acceleration. A 3.0-liter sequential multipoint fuel-injected V6 engine is optional for swifter starts. And four-wheel antilock disc brakes are available for safer stops. **Advantage: Luxury**



LeBaron Landau Sedan available leather-with-vinyl-trim interior, shown in Medium/Light Quartz. Above: LeBaron Landau Sedan available electronic instrumentation.

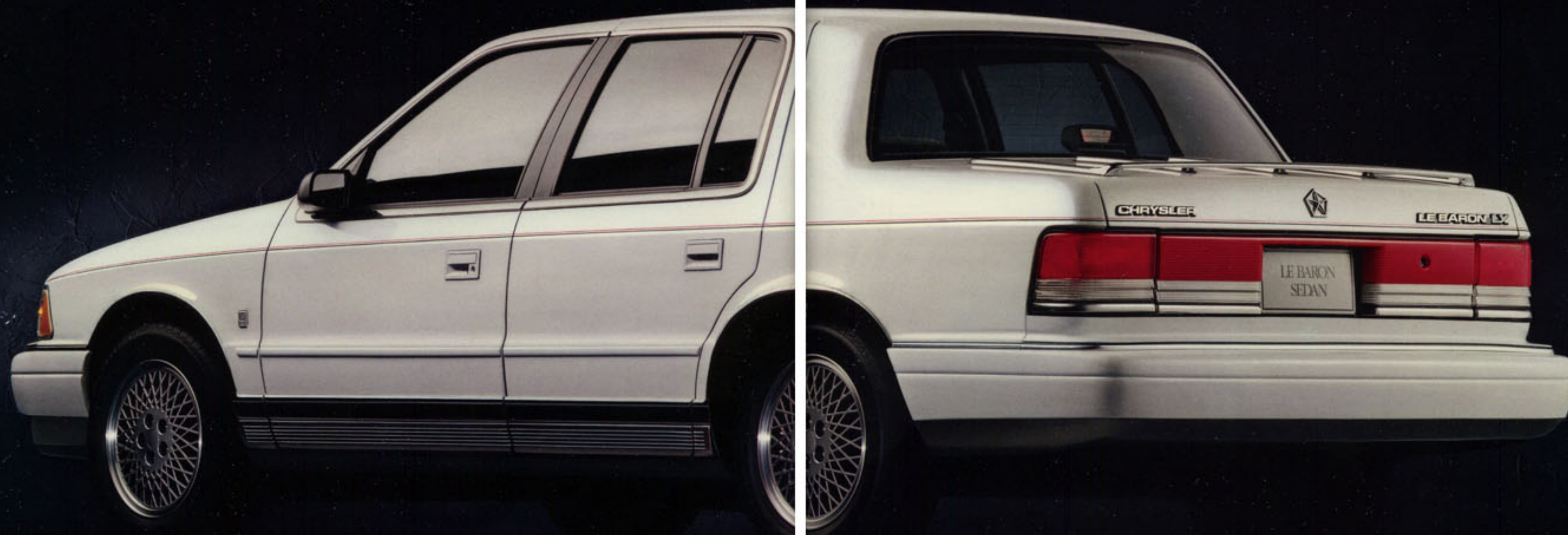
## LeBaron LX Sedan

New for 1992, LeBaron LX Sedan derives its sporty flair from a deep wraparound front fascia with integral fog lights, 15-inch cast aluminum road wheels, unique taillamps, wraparound rear fascia and a functional trunk-mounted

luggage rack. The LX's 3.0-liter sequential multipoint fuel-injected V6 engine delivers 141 horsepower smoothly, and is coupled to a computer-controlled four-speed automatic overdrive transaxle for maximum touring pleasure.



Inside, a mini travel trip computer with U.S. and metric readout is standard, as are premium cloth front bucket seats that incorporate a full-floor center console housing a covered storage bin and front and rear cup holders. **Advantage: Touring**



LeBaron LX Sedan, shown in Bright White Clear Coat.  
Above: LeBaron LX Sedan, shown in Black Cherry Pearl Coat.

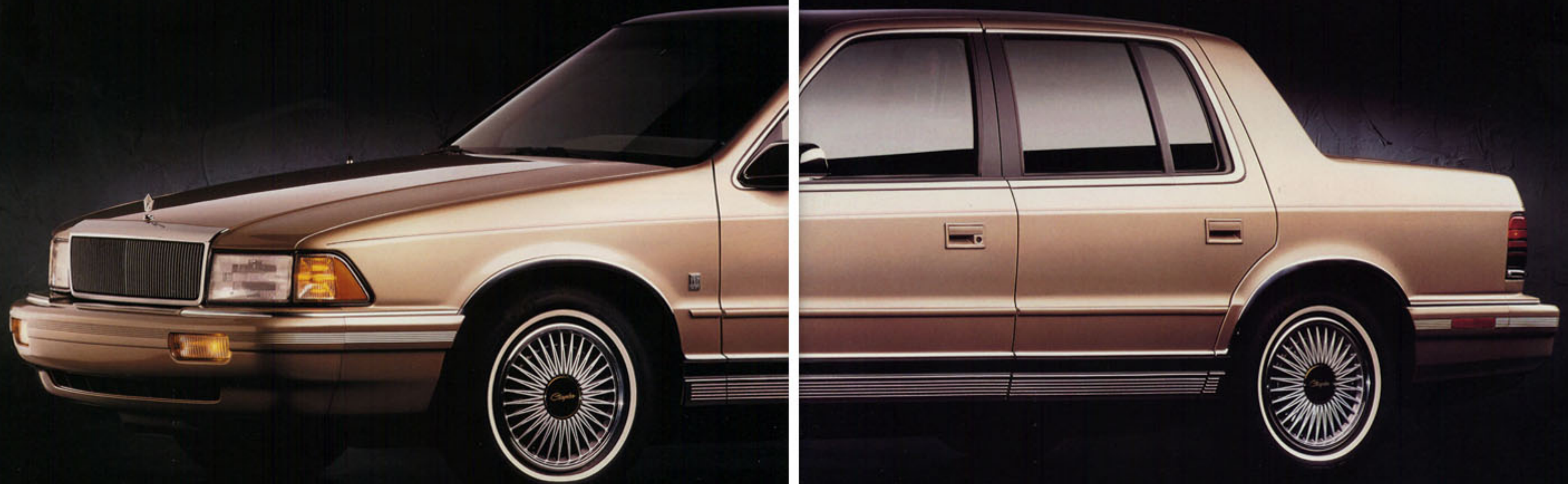
## LeBaron Sedan

The new, value-laced LeBaron Sedan is filled with a host of sensible attributes. Among Sedan's impressive list of more than 45 standard features are a driver-side air bag, premium cloth front bucket seats, power-assisted rack-and-pinion steer-

ing, power-assisted front disc/rear drum brakes, electronic speed control, premium AM/FM stereo radio, tilt steering column, deluxe variable intermittent windshield wipers, electric rear window defroster, graphic message center, front



and rear carpeted floor mats, digital clock and dual visor vanity mirrors. On the dashboard and door panels, new woodgrain appliques lend an air of elegance to LeBaron Sedan's smart interior trim. **Advantage: Value**



LeBaron Sedan, shown in Light Champagne Metallic Clear Coat.  
Above: LeBaron Sedan standard premium cloth interior, shown in Champagne.

# Quality Assurance. Advantage: Chrysler

All Chryslers are designed, engineered and assembled with a remarkable combination of computer technology, strenuous testing and skilled craftsmanship. Our goal is to make every Chrysler as solid and dependable as possible.

A. An "Anaerobic" assembly

process applies a thick bead of epoxy/resin-based cement around the entire circumference of the inner door structure. Combined with welding, this process provides reduced noise, greater strength and improved rust resistance.

B. To help improve aerody-

amic design for a quiet ride and increased operating efficiency, wind tunnel testing is performed at two U.S. locations.

C. Better protection of automobile occupants is the aim of Chrysler engineers who use a three-dimensional computer model,

body movement in a collision.

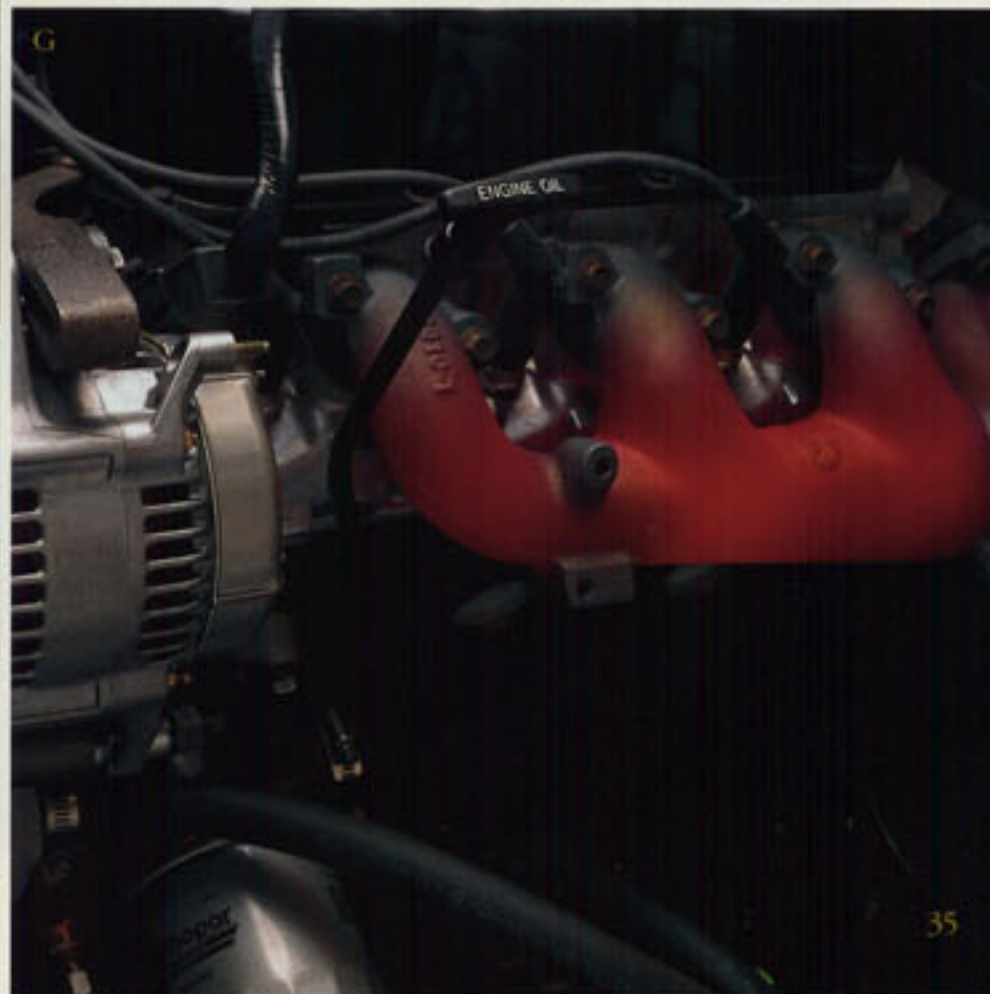
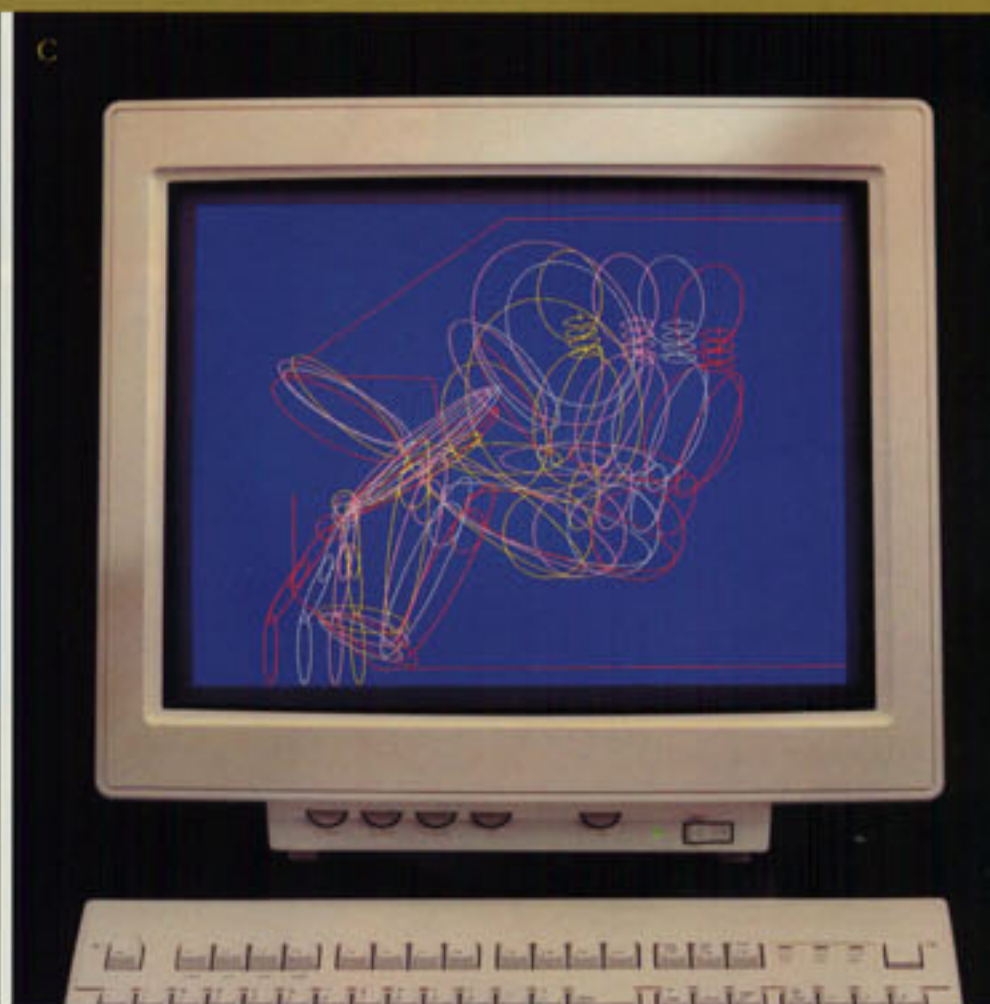
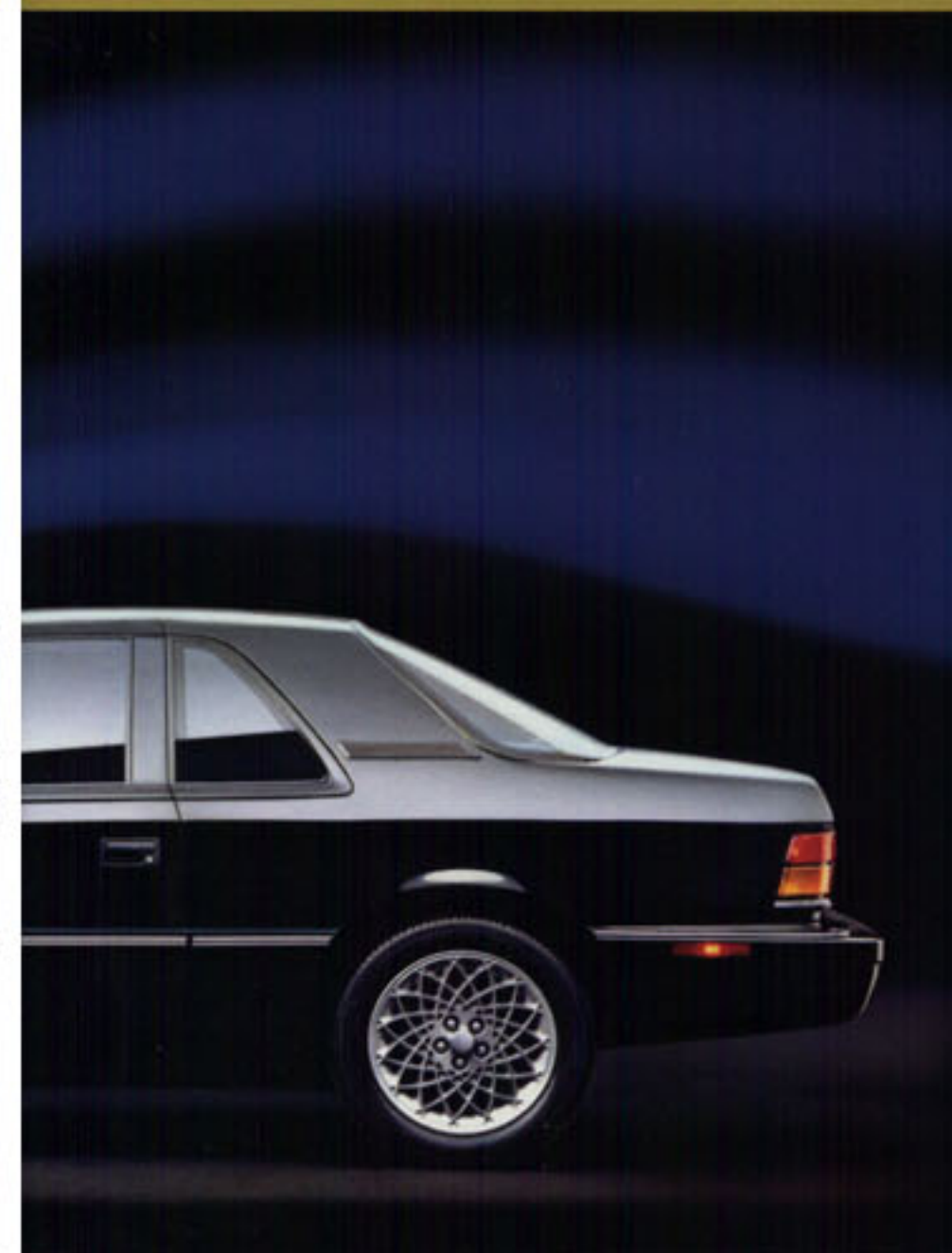
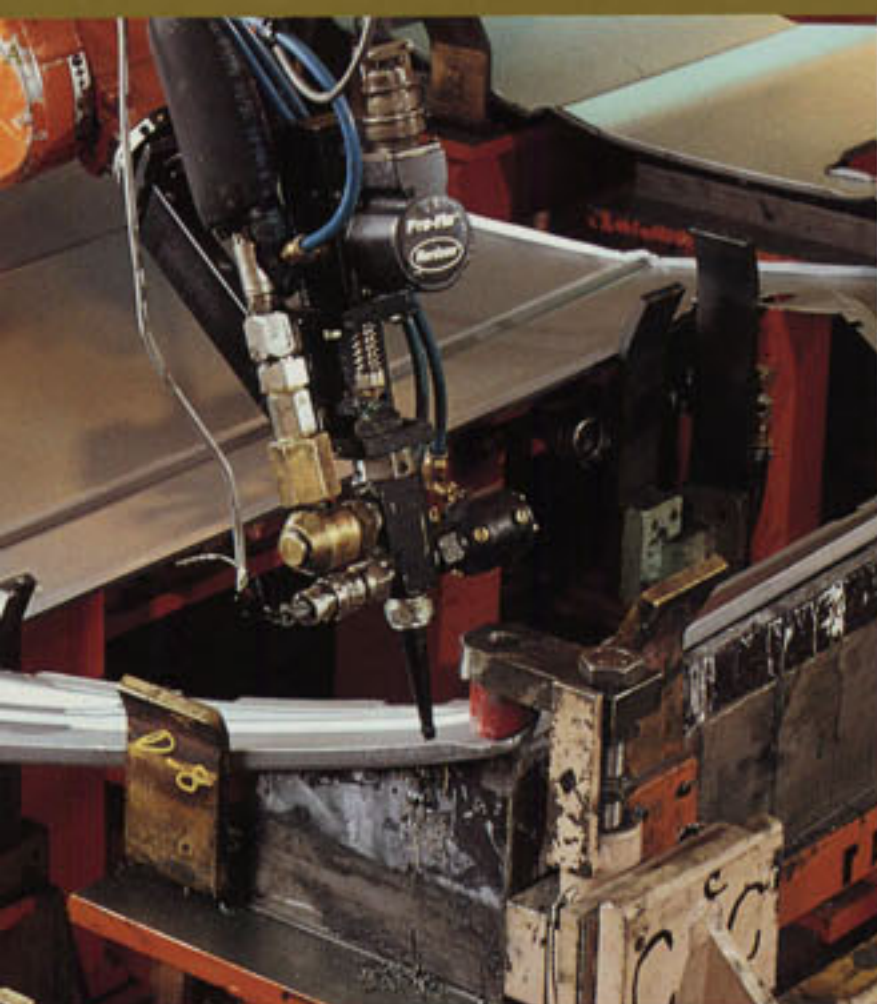
D. A computer-operated Road Simulator creates a variety of surfaces to determine the effect various vibrations will have upon vehicles.

E. To learn more about structural reliability, every crash test is filmed with high-speed

cameras for detailed analysis.

F. At the Chrysler test track, 50,000-mile power train endurance tests, which simulate very aggressive driving conditions, go on 24 hours a day.

G. For durability, test engines are run at 4,000 rpm for 800 hours in dynamometer booths.



# Features And Options

**A. LeBaron Sedan Electromechanical Instrument Cluster.** Speedometer, tachometer and resettable trip odometer at the center of the instrument cluster are analog and glare-free for information at a glance. Easy-to-read gauges for engine oil pressure, engine coolant temperature, electrical system voltage and fuel level flank the displays.

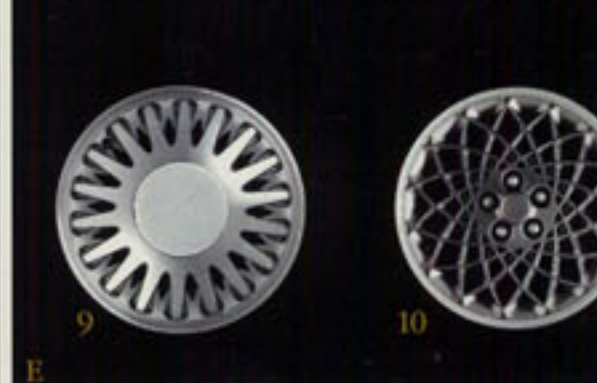
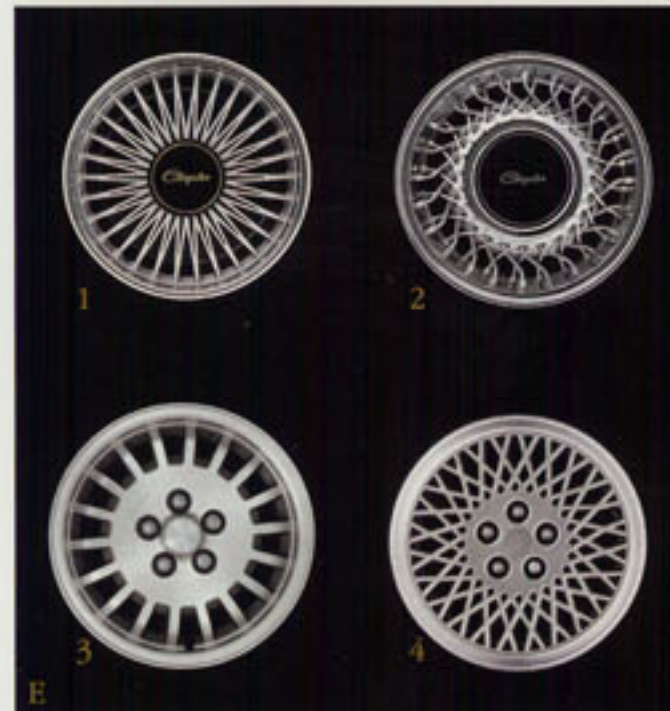
**B. Infinity RS Audio System.** Experience the concert-hall realism of 10-speaker sound. Other components of this scientific audio system include a seek-and-scan AM stereo\*/FM stereo radio, auto-reverse cassette tape player with Music Search, five-band graphic equalizer and centralized 120-watt amplifier. Available on LeBaron Coupe/Convertible.

**C. Visorphone®.** Mounted in the back of the driver's sun visor, Chrysler's high-tech cellular system allows for hands-free safety operation and features 100-number memory, one-touch dialing, automatic redial and radio mute, scratch pad memory and large character 12-digit display. Available on LeBaron Sedan models. (Dealer-installed.)

**D. Compact Disc Player.** Along with laser-clear sound, this dynamic disc player offers power loading, one-track and entire disc repeat, 99-track memory, fast forward and reverse, scan and a lighted door. Available on LeBaron Coupe/Convertible models equipped with premium cassette tape player or Infinity RS audio systems.

**E. Wheels and Wheel Covers (sets of four).** LeBaron Sedan: 1. 14-inch premium wheel cover, 2. 14-inch wire wheel cover, 3. 14-inch cast aluminum road wheel, 4. 15-inch cast aluminum road wheel. LeBaron Coupe/Convertible: 5. 14-inch cast aluminum road wheel, 6. 14-inch lace wheel cover, 7. 15-inch luxury wheel cover, 8. 15-inch color-keyed cast aluminum road wheel, 9. 15-inch cast aluminum road wheel, 10. 16-inch color-keyed cast aluminum road wheel. Availability varies with model. See your dealer for details.

\*Some AM stereo broadcasting may not be compatible with this radio. \*\*Visorphone is a registered trademark of Cartell, Inc. See page 43 for more information.



## Exterior Colors



<sup>1</sup>LeBaron Sedan. <sup>2</sup>LeBaron LX Sedan. <sup>3</sup>LeBaron Landau Sedan. <sup>4</sup>LeBaron Highline and LX Coupe/Convertible models. <sup>5</sup>LeBaron GTC Coupe/Convertible models. <sup>6</sup>LeBaron Highline Coupe/Convertible models with available Sport Package.

Note: Due to printing limitations, the colors shown will vary slightly from actual hues. See your dealer for accurate color chips. Clear Coat finish is standard on every 1992 passenger car built by Chrysler Corporation.

## Interior Colors

LeBaron Sedan	LeBaron Coupe/Convertible
Cloth Crimson Red Slate Blue Champagne/Medium Champagne Medium Quartz	Cloth Crimson Red Midnight Blue Champagne/Medium Champagne Dark Gray
Leather-with-Vinyl-Trim Crimson Red Slate Blue Champagne/Medium Champagne Medium Quartz/Light Quartz	Leather-with-Vinyl-Trim Crimson Red Midnight Blue Champagne/Medium Champagne Dark Gray Crimson Red/Frost White Dark Gray/Frost White
	Vinyl Crimson Red/Frost White Dark Gray/Frost White

<sup>1</sup>Interior color and trim availability varies by model. See your dealer for details.

## Interior Trim



Standard on LeBaron Landau Sedan. Cloth 50/50 front bench seat with driver-side adjustable lumbar support.

Optional on LeBaron Landau Sedan. Leather-with-vinyl-trim 50/50 front bench seat with driver-side adjustable lumbar support. A six-way power adjustable driver's seat is required.

Standard on LeBaron Sedan and LX Sedan. Premium cloth low-back front bucket seats.

Optional on LeBaron Sedan and LX Sedan. Premium cloth 50/50 front bench seat.

Standard on LeBaron Highline Coupe and Convertible and GTC Convertible. Cloth low-back front bucket seats.

Standard on LeBaron LX and GTC Coupe. Premium cloth low-back front bucket seats.

Optional on LeBaron Highline and GTC Convertible. Vinyl low-back front bucket seats.

Standard on LeBaron LX Convertible and optional on LX and GTC Coupe and GTC Convertible. Premium sport leather-with-vinyl-trim low-back front bucket seats. The driver's seat features eight-way power adjustments.

Optional on LeBaron GTC Coupe when equipped with the available GTC Performance Package. Included in the available GTC Performance Package on LeBaron GTC Convertible. Premium sport leather-with-vinyl-trim low-back front bucket seats. The Enthusiast driver's seat features 12-way power adjustments.

Standard on LeBaron GTC Coupe when equipped with the available GTC Performance Package. Performance cloth low-back front bucket seats. The Enthusiast driver's seat features 12-way power adjustments.

## Standard and Optional Equipment

	LEBARON SEDAN	LEBARON LX SEDAN	LEBARON LANDAU SEDAN	LEBARON HIGHLINE COUPE/ CONVERTIBLE	LEBARON LX COUPE/ CONVERTIBLE	LEBARON GTC COUPE/ CONVERTIBLE
Air Bag—Driver's side supplemental restraint	S	S	S	S	S	S
Air Conditioning—Manual	P <sup>1</sup>	P <sup>1</sup>	S	P <sup>1</sup>	S	S
Alternator—90-ampere	S	S	S	S	S	S
Antenna—Fixed mast	S	S	S	S	S	S
Battery—500-ampere	S	S	S	S	S	S
Brakes—Dual hydraulic, split diagonally, power-assisted: front disc/rear drum	S	S	S	S	S	S
Brakes—Power-assisted: four-wheel disc with antilock feature	E	E	E	E	E	E
Bumper Guards—Front and rear	—	—	S <sup>2</sup>	S	S	S
Bumpers—Energy-absorbing	S	S	S	S	S	S
Carpeting—Passenger compartment	S	S	S	S	S	S
Carpeting—Trunk	S	S	S	S	S	S
Cellular Phone—Visorphone <sup>3</sup>	E	E	E	—	—	—
Cellular Phone—Portable <sup>3</sup>	E	E	E	E	E	E
Chimes—Key-in-ignition, headlights on, seat belt and turn signal reminder	S <sup>4</sup>	S <sup>4</sup>	S <sup>4</sup>	S	S	S
Cigar Lighter	S	S	S	S	S	S
Clock—Digital: integral with all radios	S	S	S	S	S	S
Coat Hooks—Rear	S	S	S	S/—	S/—	S/—
Compact Disc Player	—	—	—	E	E	E
Console—Center: with storage bin, armrest	S	S	—	S	S	S
Console—Overhead: compass, outside temperature gauge, garage door opener storage, dual courtesy lights, storage bin	E	E	P	P/—	P/—	E/—
Convertible Top—Power: with full-trimmed headliner	—	—	—	—/S	—/S	—/S
Corrosion Protection	S	S	S	S	S	S
Deck Lid Release—Remote: lockout feature	S	S	S	P	P/S	S
Defroster—Rear window: electric	S	S	S	S	S	S
Door Locks—Power: rolling automatic	P <sup>5</sup>	P <sup>5</sup>	E <sup>5</sup>	E	S	S
Electronic Vehicle Information Center	—	—	—	—	E	E
Emission Controls and Testing—Required in California, not available otherwise	E	E	E	E	E	E
Engine—2.5-liter SOHC EFI	S	—	S	S	—	—
Engine—2.5-liter SOHC SMPI Turbo	—	—	—	E	—	E
Engine—3.0-liter OHC SMPI V6	E	S	E	E	S	S
Floor Mats—Color-keyed, front and rear	S	S	S	P	P/S	S
Fuel Capacity (gal)	16	16	16	14	14	14
Fuel Filler Cap—Tethered	S	S	S	S	S	S
Gauge—Turbo boost	—	—	—	—	—	P
Glass—Tinted: all windows	S	S	S	S	S	S
Glove Box—Locking	S	S	S	S	S	S
Headlights—Halogen: aerostyle	S	S	S	—	—	—
Headlights—Halogen: quad, concealed	—	—	—	S	S	S
Hood—Counterbalanced	S	S	S	S	S	S
Hood Release—Inside	S	S	S	S	S	S
Illuminated Entry System	E	E	E	E	E	E
Instrument Cluster—Analog electro-mechanical: electric speedometer, odometer, trip odometer, tachometer; gauges for electrical system voltage, engine coolant temp., engine oil pressure, fuel level <sup>6</sup>	S	S	S	E <sup>7</sup>	S	S
Instrument Cluster—Electronic: vacuum fluorescent digital displays for speedometer, odometer, trip odometer; electronic (analog on Landau) displays for electrical voltage, fuel, engine coolant temp., and engine oil pressure; gauge alert for charging system malfunction, engine coolant temp., engine oil pressure	—	—	E	—	E <sup>8</sup>	—
Lights—Map/reading, ignition switch w/time delay, glove box, front ash receiver, trunk/cargo, courtesy <sup>9</sup>	S	S	S	S	S	S

## Standard and Optional Equipment (continued)

	LEBARON SEDAN	LEBARON LX SEDAN	LEBARON LANDAU SEDAN	LEBARON HIGHLINE COUPE/ CONVERTIBLE	LEBARON LX COUPE/ CONVERTIBLE	LEBARON GTC COUPE/ CONVERTIBLE
Lights—Warning: seat belt, low fuel, brake failure, high beam, air bag readiness indicator	S	S	S	S	S	S
Message Center—Warnings for door ajar, deck lid ajar, windshield washer fluid low, lamp outage (Sedan only) (includes security alarm light when applicable, Coupe/Convertible only)	S	S	S	S	S	S
Mirror—Interior rearview: inside day/night	S	S	S	S/—	S/—	S/—
Mirror—Interior rearview: inside day/night with integral courtesy/reading lights	—	—	—	—/S	—/S	—/S
Mirrors—Exterior: dual manual remote control	S	S	S	S	—	—
Mirrors—Exterior: dual power, heated	P	P	E	E	S	S <sup>10</sup>
Mirrors—Interior illuminated visor vanity: driver and passenger	E	E	E	P/E	P/E	E
Mirrors—Interior non-illuminated visor vanity: driver and passenger	S	S	S	S/—	S/—	S/—
Moldings—Bumper rub strip and extensions, front and rear: black with bright insert	—	—	—	S	S	—
Moldings—Bumper rub strip and extensions, front and rear: color-keyed, with Gloss Black insert (body color on Sedan models)	S	S	S	—	—	S
Moldings—Narrow bodyside: body color	S	S	S	—	—	—
Moldings—Narrow bodyside: black	—	—	—	S	—	—
Moldings—Wheel lip, full: bright	S	S	S	—	—	—
Moldings—Wide bodyside: black with bright insert	—	—	—	—	S	—
Moldings—Wide bodyside: color-keyed with Gloss Black insert	—	—	—	—	—	S
Moldings—Wide lower bodyside cladding: bright upper with argent lower accent	S	S	S	—	—	—
Radio—AM/FM stereo, four speakers	S	S	—	S	S	S
Radio—AM /FM stereo, cassette player, four speakers	E	P	S	E	—	—
Radio—AM stereo <sup>11</sup> /FM stereo with seek-and-scan, cassette player, four speakers	—	—	—	E	E	E
Radio—Chrysler Infinity I Sound System: AM stereo <sup>11</sup> /FM stereo with seek-and-scan, cassette player, eight speakers in four locations	E	E	E	—	—	—
Radio—Chrysler Infinity II sound system: AM stereo <sup>11</sup> /FM stereo with seek-and-scan, cassette player, graphic equalizer, eight speakers in four locations	—	E	E	—	—	—
Radio—Chrysler Infinity RS Sound System: AM stereo <sup>11</sup> /FM stereo with seek-and-scan, cassette player, graphic equalizer, ten speakers in six locations	—	—	—	E	E	E
Seat Belts—Active	S	S	S	S	S	S
Seats—Front, low-back bucket: all-cloth	—	—	—	S	—	—/S
Seats—Front, low-back bucket: all-vinyl	—	—	—	—/E	—	—/E
Seats—Front, low-back bucket: prem. cloth	S	S	—	—	S/—	S/—
Seats—Front, low-back bucket (includes 12-way power adjustable Enthusiast driver's seat): leather-with-vinyl trim	—	—	—	—	—	E <sup>12</sup> /P <sup>12</sup>
Seats—Front, eight-way power adjustable driver's seat	—	—	—	—	E/S	E
Seats—Front, six-way power adjustable driver's seat	E	E	E	E	—	—/E
Seats—Front, low-back bucket (includes 12-way power adjustable Enthusiast driver's seat): performance cloth	—	—	—	—	—	P/—
Seats—Front, low-back bucket (includes eight-way power adjustable driver's seat): leather-with-vinyl trim	—	—	—	—	E/S	E
Seats—Front, 50/50 bench (includes driver-side adjustable lumbar support): premium cloth	E	E	S	—	—	—
Seats—Front, 50/50 bench, six-way power (includes driver-side adjustable lumbar support): leather-with-vinyl trim	—	—	E	—	—	—
Seats—Rear, fixed back: cloth with vinyl trim	—	—	S	S	—	—/S
Seats—Rear, fixed back: leather-w/vinyl trim	—	—	E	—	—/S	—/E



## Standard and Optional Equipment (continued)

	LEBARON SEDAN	LEBARON LX SEDAN	LEBARON LANDAU SEDAN	LEBARON HIGHLINE COUPE/ CONVERTIBLE	LEBARON LX COUPE/ CONVERTIBLE	LEBARON GTC COUPE/ CONVERTIBLE
Seats—Rear, fixed back: all-vinyl	—	—	—	—/E	—	—/E
Seats—Rear, split 60/40 folding seatback: premium cloth <sup>13</sup>	S	S	—	—	S/—	S/—
Seats—Rear, split 60/40 folding seatback: leather-with-vinyl trim	—	—	—	—	E/—	E/—
Seats—Rear, split 60/40 folding seatback: performance cloth	—	—	—	—	—	P/—
Speed Control—Electronic	S	S	S	E	S	S
Sport Package <sup>14</sup>	—	—	—	E	—	—
Steering—Rack-and-pinion: power-assisted 16:1 ratio	S	S	S	S	S	S
Steering Column—Tilt steering wheel	S	S	S	E	S	S
Steering Wheel—Luxury	S	S	S	S	—	—
Steering Wheel—Luxury: leather-wrapped	—	—	P	P/—	S	—
Steering Wheel—Sport: leather-wrapped	—	—	—	—	—	S
Stripe—Bodyside <sup>15</sup>	S	S	S	P	S	—
Suspension System—Performance handling	—	—	—	—	—	E
Suspension System—Road touring; front: gas-charged struts with antiway bar; rear: coil springs, gas-charged shocks and antiway bar	S	S	S	S	S	—
Suspension System—Sport handling, upgraded antiway bar	—	—	—	—	E	S
Tires—P195/70R14 steel-belted radial black sidewall low rolling resistance all-season touring (set of four)	S	—	—	S	—	—
Tires—P195/70R14 steel-belted radial white sidewall low rolling resistance all-season touring (set of four)	P	—	S	E	—	—
Tires—P205/60R15 steel-belted radial black sidewall low rolling resistance all-season touring (set of four)	—	S	—	—	S	—
Tires—P205/60R15 steel-belted radial low black letter all-season performance (set of four)	—	—	—	—	E	S
Tires—P205/60R15 steel-belted radial white sidewall low rolling resistance all-season touring (set of four)	—	—	—	—	E	—
Tires—P205/55R16 steel-belted radial low black letter all-season performance (set of four)	—	—	—	—	—	E
Tire—Spare, conventional	E	—	E	—	—	—
Transaxle—Three-speed TorqueFlite automatic <sup>16</sup>	S	—	S	S	—	E
Transaxle—Five-speed manual overdrive	—	—	—	E	—	S
Transaxle—Five-speed high-capacity manual overdrive	—	—	—	—	—	E
Transaxle—Four-speed computer-controlled automatic overdrive <sup>16</sup>	E	S	E	E	S	E
Trip Computer—Mini	—	—	E	E	E	E
Vehicle Theft Security Alarm System	—	—	—	E	E	E
Wheels—Cast alum.: 14-inch (set of four)	E	—	—	E	—	—
Wheels—Cast alum.: 15-inch (set of four)	—	S	—	—	E	—
Wheels—Cast alum.: color-keyed, 15-inch (set of four)	—	—	—	—	—	S
Wheels—Cast alum.: color-keyed, 16-inch (set of four)	—	—	—	—	—	E
Wheel Covers—Premium <sup>17</sup> : 14-inch (set of four)	S	—	S	S	—	—
Wheel Covers—Wire: 14-inch (set of four)	—	—	E	—	—	—
Wheel Covers—Luxury: 15-inch (set of four)	—	—	—	—	S	—
Windows—Power	P	P	E	S	S	S
Windshield Wiper System—Deluxe intermittent	S	S	S	S	S	S

S = Standard. E = Extra cost. Some items may also be available in Customer-Preferred<sup>SM</sup> Packages. See Customer-Preferred<sup>SM</sup> Packages and "Additional Options" for availability. P = Package only. See Customer-Preferred<sup>SM</sup> Packages for availability. <sup>13</sup>There are special engine cooling requirements for field-installed air conditioning. Failure to follow these requirements may invalidate warranty. See your dealer for details. <sup>14</sup>Rear only. <sup>15</sup>OKI<sup>®</sup> Telecom manufactures, services and is the warrantor of the Visorphone and Portable Phone products that are available as dealer-installed options on selected Chrysler Corporation vehicles. See your dealer for a copy of the limited warranties. Restrictions apply. <sup>16</sup>Turn signal reminder not available. <sup>17</sup>Rolling automatic not available. <sup>18</sup>Standard cluster on Highline Coupe/Convertible models deletes tachometer and oil pressure gauge. <sup>19</sup>Included with manual transaxle. <sup>20</sup>Includes analog tachometer on Coupe and Convertible. <sup>21</sup>Convertible models include console-mounted rear courtesy light. <sup>22</sup>Color-keyed to exterior body color on GTC models. <sup>23</sup>Some AM stereo broadcasting may not be compatible with this radio. <sup>24</sup>Leather-with-vinyl-trim Enthusiast seat is available on GTC Coupe and Convertible equipped with the GTC Performance Package. <sup>25</sup>Split 55/45 on LeBaron Sedan and LX Sedan models. <sup>26</sup>See contents on page 41. <sup>27</sup>Includes deck lid stripe on Sedan models. <sup>28</sup>Includes lockup torque converter. <sup>29</sup>Lace wheel cover on Coupe/Convertible.

## Customer-Preferred<sup>SM</sup> Packages

PACKAGE CONTENTS	LEBARON COUPE							LEBARON CONVERTIBLE					
	HIGHLINE			LX		GTC		HIGHLINE			LX	GTC	
	A	C	D	W	D	G	H	A	B	C	W	G	H
Air Conditioning <sup>1</sup>		●	●	S	S	S	S		●	●	S	S	S
Brakes—Four-wheel antilock disc							●						●
Console—Overhead			●		●								
Deck Lid Release—Manual remote		●	●		●	S	S			●	S	S	S
Gauge—Turbo boost							●						●
Illuminated Entry/Illuminated Visor Vanity Mirrors			●		●								
Leather-with-Vinyl-Trim Interior											S		●
Mats—Floor: front and rear carpeted		●	●		●	S	S			●	S	S	S
Power Automatic Door Locks/ Power Heated Mirrors			●	S	S	S	S				S	S	S
Power Adjustable Driver's Seat—Eight-way					●						S		
Power Adjustable Driver's Seat—Six-way			●										
Power Adjustable Driver's Seat—Twelve-way							●						●
Seats—Performance cloth interior/trim							●						
Steering Wheel—Leather-wrapped			●	S	S	S	S				S	S	S
Stripe—Upper bodyside accent			●	S	S					●	S		
Suspension—Performance handling							●						●
Tilt Steering Column/Electronic Speed Control		●	●	S	S	S	S			●	S	S	S
Tires—P205/55R16 all-season performance (set of four)							●						●
Wheels—16" color-keyed cast aluminum road (set of four)							●						●

S = Standard. ● = Included in Customer-Preferred<sup>SM</sup> Package. <sup>1</sup>There are special engine cooling requirements to field-installed air conditioning. Failure to follow these requirements may invalidate warranty. See dealer for details.

### ADDITIONAL OPTIONS — Available only with corresponding Customer-Preferred<sup>SM</sup> Packages.

Brakes—Four-wheel antilock disc	E	E	E	E	E	E	P		E	E	E	E	E	P
Compact Disc Player <sup>1</sup>		E	E	E	E	E	E			E	E	E	E	
Console—Overhead			P		P	E	E							
Electronic Instrument Cluster				E	E						E			
Electronic Speed Control/Tilt Steering Column	E	P	P	S	S	S	S		E	E	P	S	S	S
Electronic Vehicle Information Center				E	E	E	E				E	E	E	
Illuminated Entry/Illuminated Visor Vanity Mirrors			P		P	E	E			E	E	E	E	
Mini Trip Computer		E	E	E	E	E	E			E	E	E	E	
Power Automatic Door Locks/ Power Heated Mirrors		E	P	S	S	S	S			E	E	S	S	S
Power Adjustable Driver's Seat—Eight-way <sup>2</sup>				E	P	E					S	E		
Power Adjustable Driver's Seat—Six-way <sup>2</sup>		E	P							E	E		E	
Radio—AM/FM with cassette	E	E	E						E	E	E			
Radio—Infinity RS Sound System		E	E	E	E	E	E				E	E	E	E
Radio—Cassette AM/FM stereo with seek-and-scan		E	E	E	E	E	E				E	E	E	E
Seats—Low-back vinyl									E	E	E		E	
Seats—Performance leather-with-vinyl-trim (includes twelve-way Enthusiast seat)							E							P
Seats—Sport leather-with-vinyl-trim (with eight-way power seat)				E	E	E					S	E		
Security Alarm <sup>2</sup>		E	E	E	E	E	E			E	E	E	E	E
Sport Package (see contents below)*	E	E	E						E	E	E			
Tires—P195/70R14 WSW (set of four)		E	E							E	E			
Tires—P205/60R15 WSW (set of four)					E						E			
Wheels—14" cast alum. road (set of four)		E	E								E			
Wheels—15" cast alum./Sport suspension				E	E						E			
Wheels—16" cast alum./Performance suspension						E							E	

S = Standard. P = Included in Customer-Preferred<sup>SM</sup> Package listed above. E = Extra cost. Available only when corresponding Customer-Preferred<sup>SM</sup> Package is ordered.

<sup>1</sup>Requires seek-and-scan cassette or Infinity RS radio. <sup>2</sup>Requires power locks/mirrors.

### \*Sport Package (Available on LeBaron Highline Coupe/Convertible models)

Color-Keyed Front Grille, Color-Keyed Front and Rear Fascias with Integral Rub Strips and Gloss Black Insert, Color-Keyed Lace Wheel Covers (included with White exterior vehicles only) (set of four), Color-Keyed Narrow Bodyside Molding, Gloss Black Deck Lid, and Taillight and Window Surround Moldings.

# Customer-Preferred<sup>SM</sup> Packages

## LEBARON SEDAN

PACKAGE CONTENTS	BASE		LX		LANDAU	
	P	U	X	U	K	L
Air Conditioning <sup>1</sup>		●		●	S	S
Console—Overhead						●
Illuminated Entry/Illuminated Visor Vanity Mirrors						●
Power Door Locks		●		●		●
Power Heated Mirrors		●		●		●
Power Windows		●		●		●
Radio—AM/FM stereo with cassette				●	S	S
Steering Wheel—Leather-wrapped						●
Tires—P195/70R14 steel-belted radial white sidewall (set of four)		●			S	S
Wheel Covers—Wire (set of four)						●

S = Standard. ● = Included in Customer-Preferred<sup>SM</sup> Package. <sup>1</sup> There are special engine cooling requirements for field-installed air conditioning. Failure to follow these requirements may invalidate warranty. See dealer for details.

### ADDITIONAL OPTIONS — Available only with corresponding Customer-Preferred<sup>SM</sup> Packages

Brakes—Four-wheel antilock disc	E	E	E	E	E	E
Electronic Instrument Cluster—Mini trip computer					E	E
Illuminated Entry/Illuminated Visor Vanity Mirrors		E		E	E	P
Leather-with-Vinyl-Trim Seats/Leather-Wrapped Steering Wheel					E	E
Overhead Console		E		E		P
Power Heated Mirrors/Power Windows/Power Door Locks		P		P	E	P
Power Seat—Driver's side, six-way adjustable		E		E	E	E
Radio—Infinity I with seek-and-scan cassette		E		E	E	E
Radio—Infinity II with seek-and-scan cassette and graphic equalizer				E		E
Radio—AM/FM stereo with cassette		E		P	S	S
Seat—50/50 front bench		E		E		
Tire—Spare: conventional		E			E	E
Wheel Covers—Wire (set of four)					E	P
Wheels—14" cast aluminum (set of four)		E				

S = Standard. P = Included in Customer-Preferred<sup>SM</sup> Package listed above. E = Extra cost. Available only when corresponding Customer-Preferred<sup>SM</sup> Package is ordered.

## Engine Specifications<sup>1</sup>

Type	2.5-Liter 4-Cylinder SOHC Single-Point Electronic Fuel Injection	2.5-Liter 4-Cylinder SOHC Sequential Multipoint Fuel-Injected Turbocharged	3.0-Liter V6 OHC Sequential Multipoint Electronic Fuel Injection
Bore x Stroke (in.)	3.44 x 4.09	3.44 x 4.09	3.59 x 2.99
Displacement (cu in./liters)	153/2.5	153/2.5	181.4/3.0
Power (hp @ rpm)	100 @ 4,400	152 @ 4,800	141 @ 5,000
Torque (lb ft @ rpm)	135 @ 2,800	211 @ 2,800	167 @ 3,600 <sup>3</sup>
Compression Ratio	8.9:1	7.8:1	8.9:1
Fuel Type	Unleaded Regular	Unleaded Premium <sup>2</sup>	Unleaded Regular

<sup>1</sup>See Standard and Optional Equipment list for availability. <sup>2</sup>Unleaded premium preferred, unleaded regular acceptable. Turbocharged engine not recommended for trailer towing, and such use may damage engine and invalidate warranty. See dealer for details. <sup>3</sup>171 @ 2,800 for LeBaron Sedan models.

## Dimensions

EXTERIOR	LEBARON SEDAN	LEBARON COUPE/ CONVERTIBLE
Overall Length (in.)	182.7 <sup>1</sup>	184.8
Wheelbase (in.)	103.5	100.5
Overall Height (in.)	53.7 <sup>2</sup>	53.3/52.4
Track—Front (in.)	57.6	57.5/57.6
Track—Rear (in.)	57.2	57.6
Overall Width (in.)	68.1	69.2
Turning Diameter (ft)	37.0L/39.0R	38.5 <sup>3</sup>

<sup>1</sup>181.2 for LeBaron Sedan and LX. <sup>2</sup>53.5 for LeBaron Sedan and LX. <sup>3</sup>40.0 ft. for LX and GTC Coupe/Convertible. <sup>4</sup>54.3 for LeBaron Sedan and LX. <sup>5</sup>55.0 for LeBaron Sedan and LX. <sup>6</sup>111.2 for LeBaron Sedan and LX.

INTERIOR	LEBARON SEDAN	LEBARON COUPE/ CONVERTIBLE
Head Room (in.)	38.4	37.6/38.3
Leg Room (in.)	41.9	42.4
Hip Room (in.)	51.7	52.4
Shoulder Room (in.)	53.9 <sup>4</sup>	55.9
Head Room—Rear (in.)	37.9	36.3/37.0
Leg Room—Rear (in.)	38.3	33
Hip Room—Rear (in.)	52	47.9/37.6
Shoulder Room—Rear (in.)	54.2 <sup>5</sup>	56.3/45.7
Trunk Capacity (cu ft)	14.4	14.4/10.3
Interior Volume (cu ft)	110.1 <sup>6</sup>	103.8/94

## Power Train Availability

ENGINE	TRANSAXLE	LEBARON SEDAN	LEBARON LX SEDAN	LEBARON LANDAU SEDAN	LEBARON HIGHLINE COUPE/ CONVERTIBLE	LEBARON LX COUPE/ CONVERTIBLE	LEBARON GTC COUPE/ CONVERTIBLE
2.5-Liter 4-Cylinder EFI	3-Speed Automatic, OTGR 3.02	S	—	S	S	—	—
2.5-Liter 4-Cylinder SMPI Turbo <sup>1</sup>	5-Speed Manual Overdrive, Heavy-Duty, OTGR 2.73	—	—	—	—	—	E
	3-Speed Automatic, OTGR 3.02	—	—	—	E	—	E
3.0 Liter SMPI V6	5-Speed Manual Overdrive, OTGR 2.68	—	—	—	E	—	S
	3-Speed Automatic, OTGR 3.02	E	—	—	—	—	—
	4-Speed Automatic Overdrive, OTGR 2.52	E	S	E	E	S	E

<sup>1</sup>Turbocharged engine not recommended for trailer towing and such use may damage engine and invalidate warranty. See your dealer for details.

---

## STANDARD SAFETY FEATURES

---

- Air bag (driver's side)
- Antitheft ignition and steering column lock
- Backup lights
- Brake fluid pressure loss warning light (also serves as indicator when parking brake is applied)
- Center high-mounted supplemental stoplight
- Child protection rear door locks (LeBaron Sedan only)
- Combination lap/shoulder belts for driver and all outboard passengers; lap belts for center locations
- Day/night rearview mirror adjustment
- Double ball-joint rearview mirror mount
- Dual diagonal braking system with separate brake fluid reservoirs in the master cylinder
- Dual throttle return springs
- Electric windshield washers/wipers with intermittent wipe feature
- Energy-absorbing front and rear bumper system
- Energy-absorbing front seat-backs
- Energy-absorbing instrument panel
- Energy-absorbing steering column
- Fade-resistant ventilated power-assisted front disc brakes
- Fasten seat belt reminder
- Front brake lining wear detectors
- Glare reduction measures for instrument panel, steering wheel, and windshield wipers
- Hazard warning flasher system
- Headlight and wiper circuit breakers with automatic reset
- Impact-actuated fuel supply shut-down relay
- Inside and outside rearview mirrors
- Inside hood release
- Interlocking door latches
- Key left in ignition warning
- Non-override door locks except driver's door
- Recessed inside door release handles
- Reinforced windshield header and roof (not applicable to LeBaron Convertible models)
- Resilient window crank knobs, if applicable
- Safety-Rim wheels
- Shatter-resistant glass
- Side door beams
- Side marker lights and reflectors
- Turn signals with lane-change feature

---

## CHRYSLER CORPORATION LIMITED WARRANTY PROTECTION

---

Every Chrysler Corporation vehicle comes with the protection of a Chrysler Corporation Limited Warranty. See your dealer for details.



---

## CHRYSLER CREDIT FINANCING

---

Chrysler Credit offers a variety of finance programs that can help make your new Chrysler LeBaron even more affordable. These flexible finance and leasing programs can be tailored to suit your budget and your lifestyle. They include Advantage: Gold Key Lease, Gold Key Plus, College Graduate Plans, Retail Financing and other special payment plans. Ask your salesperson for details.

---

## CONSIDER LEASING

---

More consumers are considering leasing as an alternative to buying. Leasing a new Chrysler LeBaron usually involves a small security deposit and a first month's lease payment. Monthly payments frequently are less than financing a new car purchase. Ask your dealer for details.

---

## CHRYSLER PURCHASE ASSISTANCE PROGRAM FOR THE PHYSICALLY CHALLENGED

---

Cash reimbursements of up to \$500 are available for qualified adaptive driving devices on 1992 Chrysler Corporation cars and trucks. For further information, contact your dealer or the PHYSICALLY CHALLENGED RESOURCE CENTER at 1-800-255-9877.



---

## CHRYSLER CORPORATION GENUINE PARTS

---

MOPAR parts are engineered by Chrysler Corporation for use in your new Chrysler LeBaron. When replacement is necessary, be sure to specify MOPAR parts. Used by professional automotive technicians worldwide.



---

## CONVENIENT COMMUNICATION


---

OKI® Telecom manufactures, services and is the warrantor of the Visorphone® and Portable phone products that are available as dealer-installed options on selected Chrysler Corporation vehicles. See your dealer for a copy of the limited warranties. Restrictions apply.

All product illustrations and specifications are based upon current information at the time of publication approval. Although descriptions are believed correct, complete accuracy cannot be guaranteed. Chrysler Corporation reserves the right to make changes from time to time, without notice or obligation, in prices, specifications, colors and materials, and to change or discontinue models. See your dealer for the latest information.

Chrysler and MOPAR are registered trademarks, and LeBaron is a trademark of Chrysler Corporation.

Buckle up for safety.

**ADVANTAGE: CHRYSLER** 



1 9 9 2  
CHRYSLER